



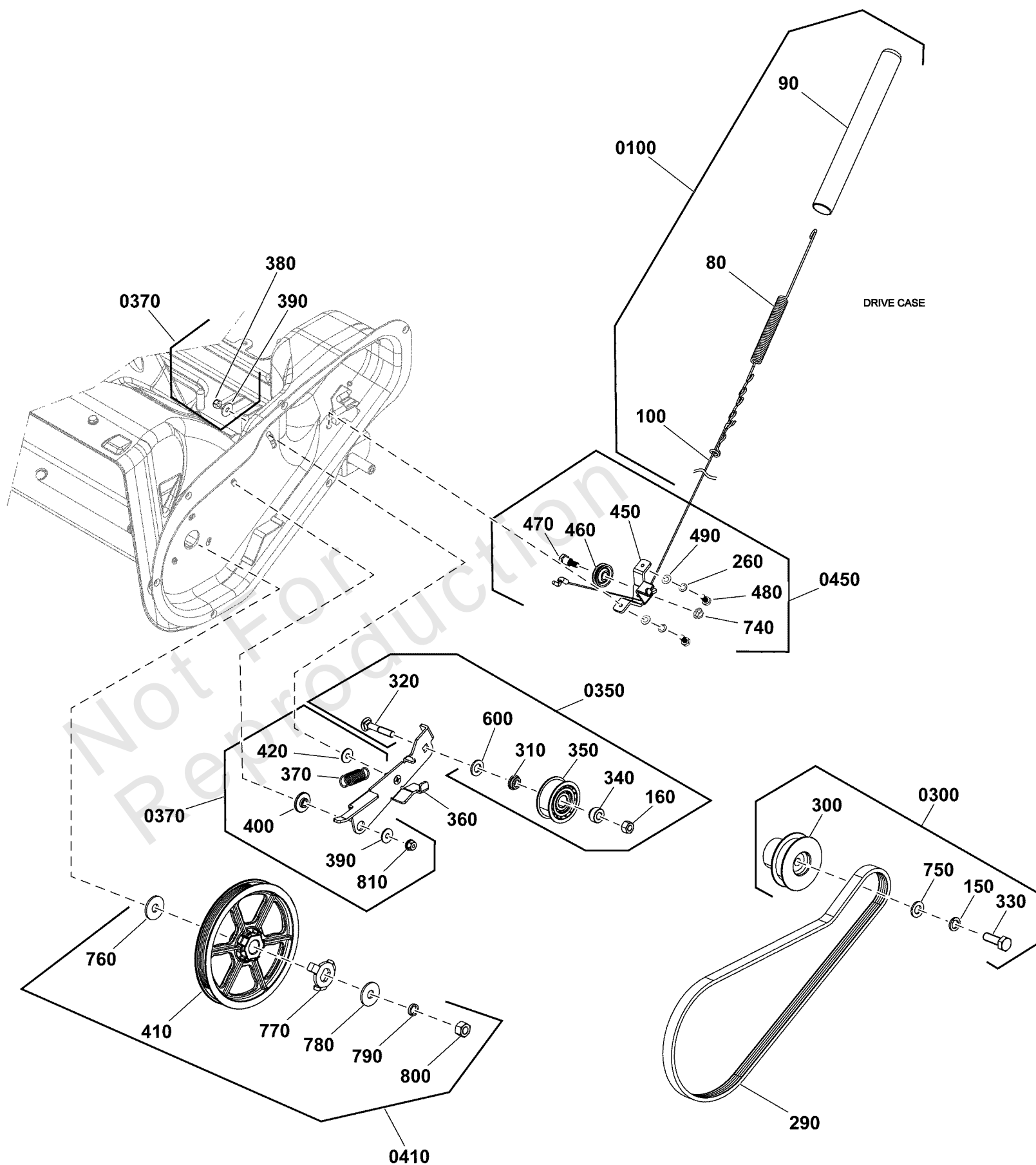
Parts Manual

Mfg. No: 1697294-00
1022EE SS NA 22" 9.5 Gross (2020),
Briggs

Auger Drive Group

Note: Unless noted otherwise, use the standard torque specifications

Mfg. No: 1697294-00



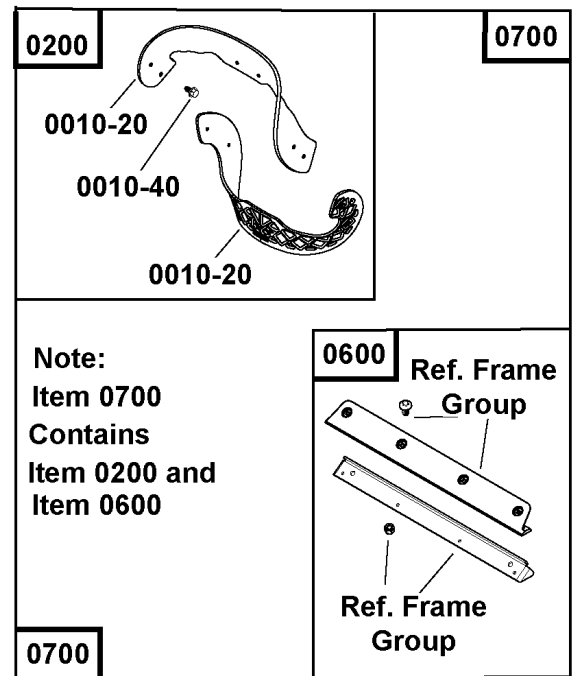
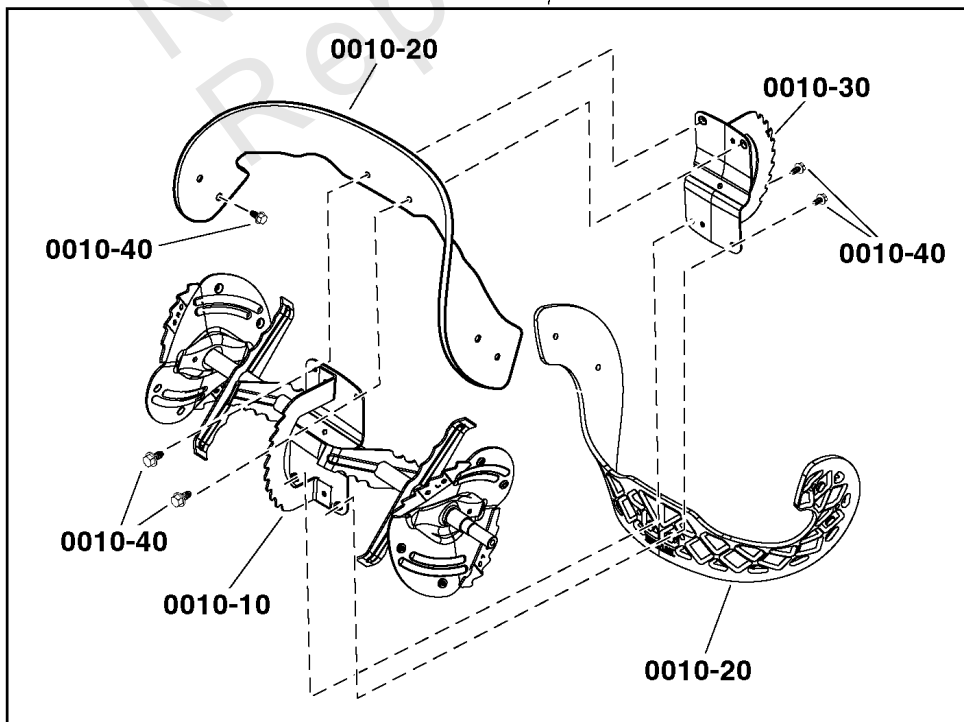
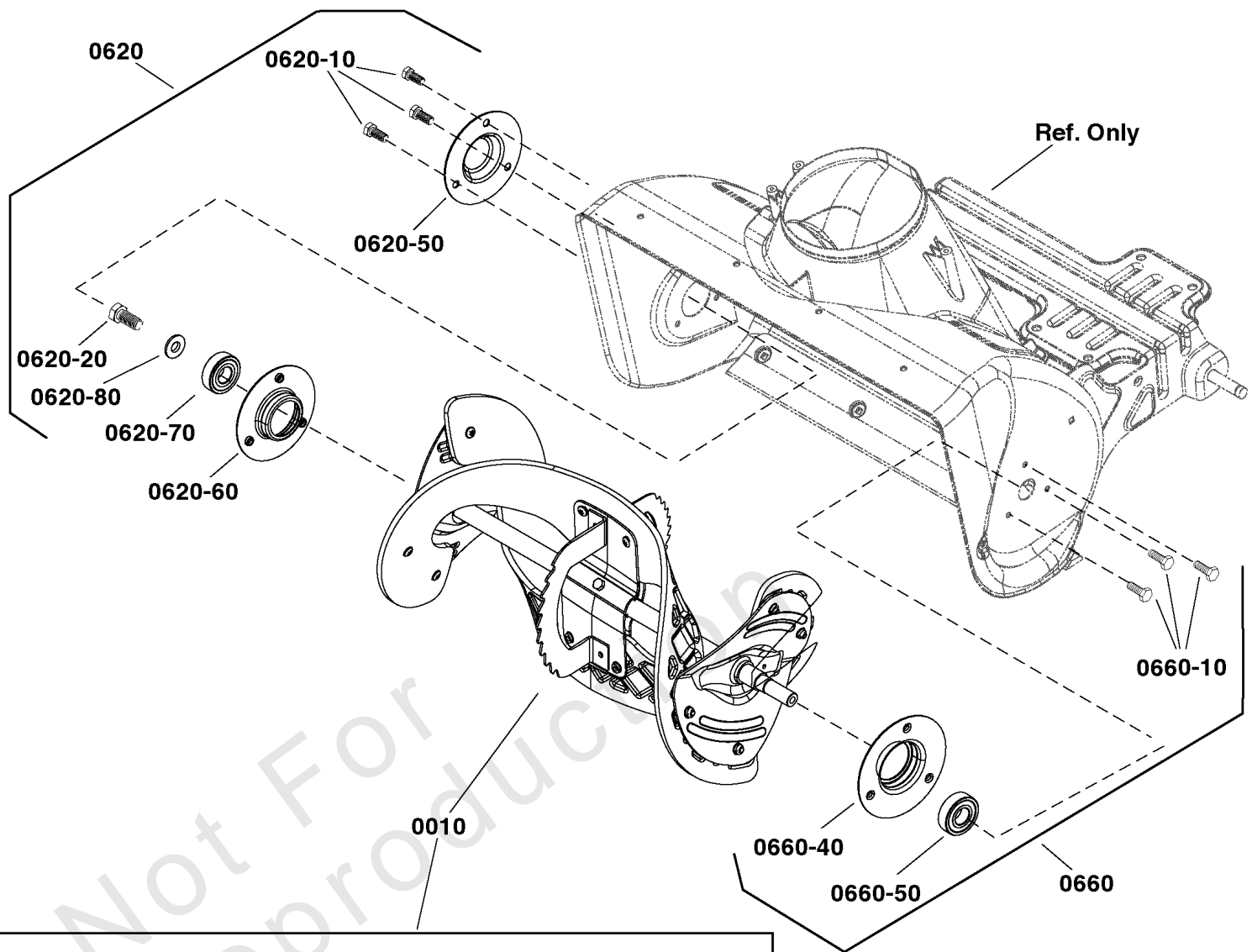
Auger Drive Group

REF NO	PART NO	QTY	DESCRIPTION
290	709868	1	BELT, Drive
360	709927	1	PLATE, Tension
0100	709870	1	KIT, AUGER CABLE -(Incl. Ref. Nos. 80, 90, 100)
80	-----	1	SPRING, Cable
90	-----	1	SLEEVE, Rubber
100	-----	1	CABLE, Auger
0300	709876	1	KIT, ENGINE PULLEY -(Incl. Ref. Nos. 150, 300, 330, 750)
150	-----	1	WASHER, M10, Split Lock
300	-----	1	PULLEY, Driver
330	720016	1	SCREW, 3/8-24 x 1, Hex Head
750	-----	1	WASHER, 10x28x3, Flat
0350	709872	1	KIT, IDLER PULLEY, TENSION PLATE -(Incl. Ref. Nos. 160, 310, 320, 340, 350, 600)
160	-----	1	NUT, M8, Lock
310	-----	1	Spacer, 8.5 ID, 18 OD, 6 Thick, Shoulder
320	-----	1	BOLT, M8x40, Carriage
340	-----	1	SPACER, Idler Pulley
350	-----	1	PULLEY, 8 ID, 53 OD, 22 Wide, Idler
600	-----	1	WASHER, 10x20x1.8, Flat
0370	709874	1	KIT, HARDWARE, IDLER BRACKET -(Incl. Ref. Nos. 370, 380, 390, 400, 420, 810)
370	709869	1	SPRING, Tension
380	-----	1	NUT, M6, Lock
390	-----	2	WASHER, 6 X 18 X 1.5, Flat
400	-----	1	SPACER, Idler Arm
420	-----	1	WASHER, 8x22x2, Flat
810	-----	1	NUT, Lock, Hex Flange Head, M6
0410	709875	1	KIT, AUGER PULLEY -(Incl. Ref. Nos. 410, 760, 770, 780, 790, 800)
410	-----	1	PULLEY, Driven
760	-----	1	WASHER, Flat, 18x24x2
770	-----	1	CLAW, Coupling
780	-----	1	WASHER, 10X25X2, Flat
790	-----	1	WASHER, M10, Split Lock
800	-----	1	NUT, Lock, M10
0450	709871	1	KIT, CABLE BASE, AUGER DRIVE -(Incl. Ref. Nos. 260, 450, 460, 470, 480, 490, 740)
260	-----	2	WASHER, M6, Split Lock, MC
450	-----	1	BRACKET, Cable Guide
460	-----	1	PULLEY, Cable
470	-----	1	SCREW, M6 X 12, Hex Head Shoulder
480	7091835	2	SCREW, M6 1.0X12MM, Hex Head, CZ
490	-----	2	WASHER, 6x12x.7, Flat
740	-----	1	NUT, M6, Flange Head

Auger Group

Note: Unless noted otherwise, use the standard torque specifications

Mfg. No: 1697294-00



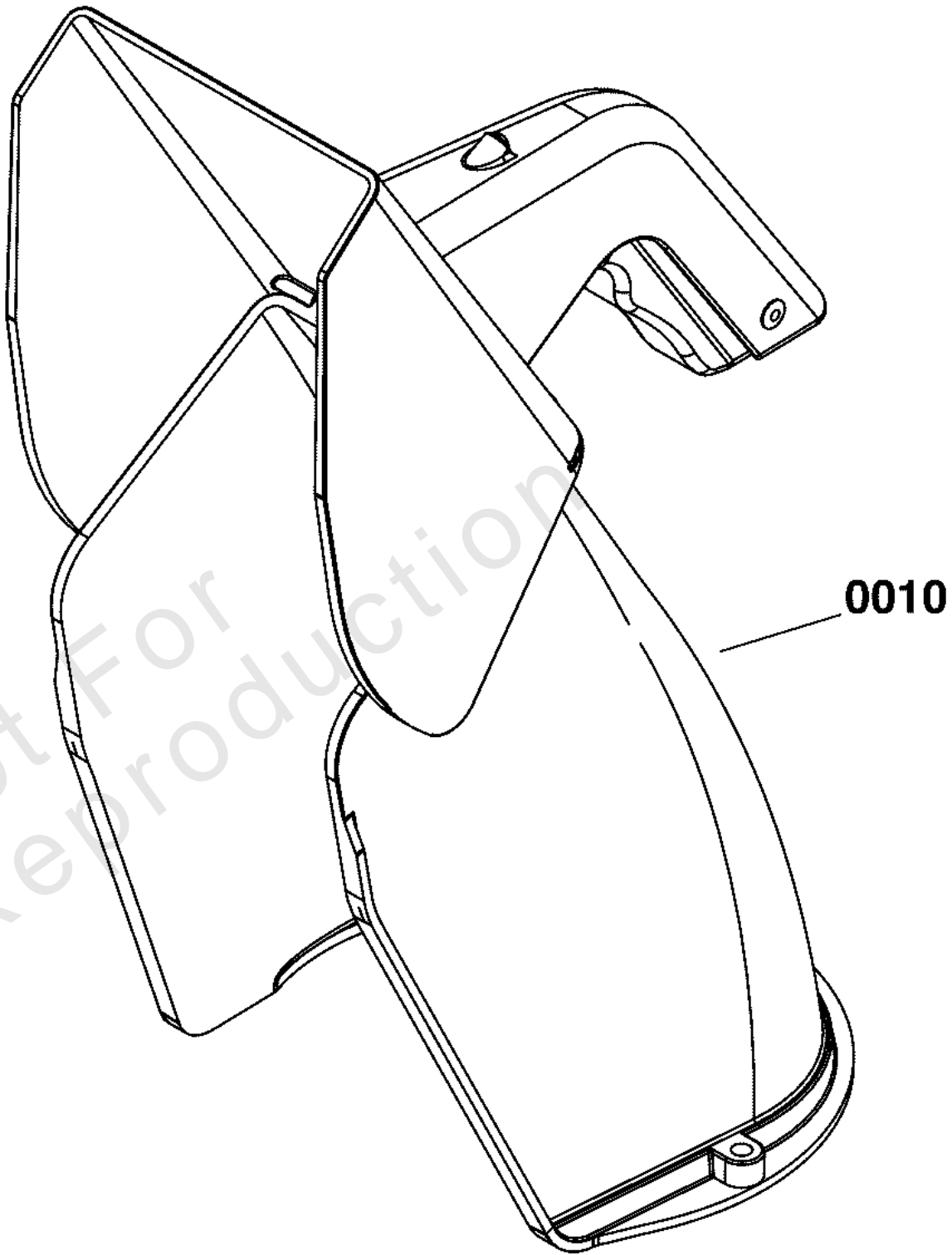
Auger Group

REF NO	PART NO	QTY	DESCRIPTION
0010	84006448	1	AUGER ASSEMBLY, Complete -(Includes Ref. Nos. 0010-10 thru 0010-0060)
0010-10	-----	1	*AUGER SHAFT ASSEMBLY
0010-20	-----	1	**FLIGHT, Auger
0010-30	-----	2	*PLATE, Auger, Center
0010-40	-----	12	SCREW, 1/4-20 X 3/4 PAN HD TORX, TT, PHO
0200	1687804	1	KIT, AUGER FLIGHT -(Includes Ref. Nos. 0010-20 & 0010-40)
0600	1687805	1	KIT, Scraper Bar
0620	709882	1	KIT, AUGER BEARING, RIGHT -(Incl. Ref. Nos. 0620-10, 0620-20, 0620-50 through 0620-80)
0620-10	-----	3	BOLT, HEX, M6X14
0620-20	-----	1	SCREW, Hex Head, M6X16
0620-50	-----	1	CAP, Bearing
0620-60	-----	1	RETAINER, Bearing
0620-70	-----	1	BEARING
0620-80	-----	1	WASHER, 6x23x3, Flat
0660	709878	1	KIT, AUGER BEARING, LEFT -(Incl. Ref. Nos. 0660-10, 0660-40 & 0660-50)
0660-10	-----	3	BOLT, HEX, M6X14
0660-40	-----	1	RETAINER, Bearing
0660-50	-----	1	BEARING
0700	1687806	1	KIT, Auger Flight & Scaper Bar -(Includes Ref Nos. 0200 & 0600)
--	709877	1	KIT, AUGER BEARING -(Includes Ref Nos. 0620-70 & 0660-50)

Footnotes:

Note: ** Not a servicable part, order Auger Flight Kit 1687804

Note: * Not a servicable part, order complete Auger Assembly



Chute Group

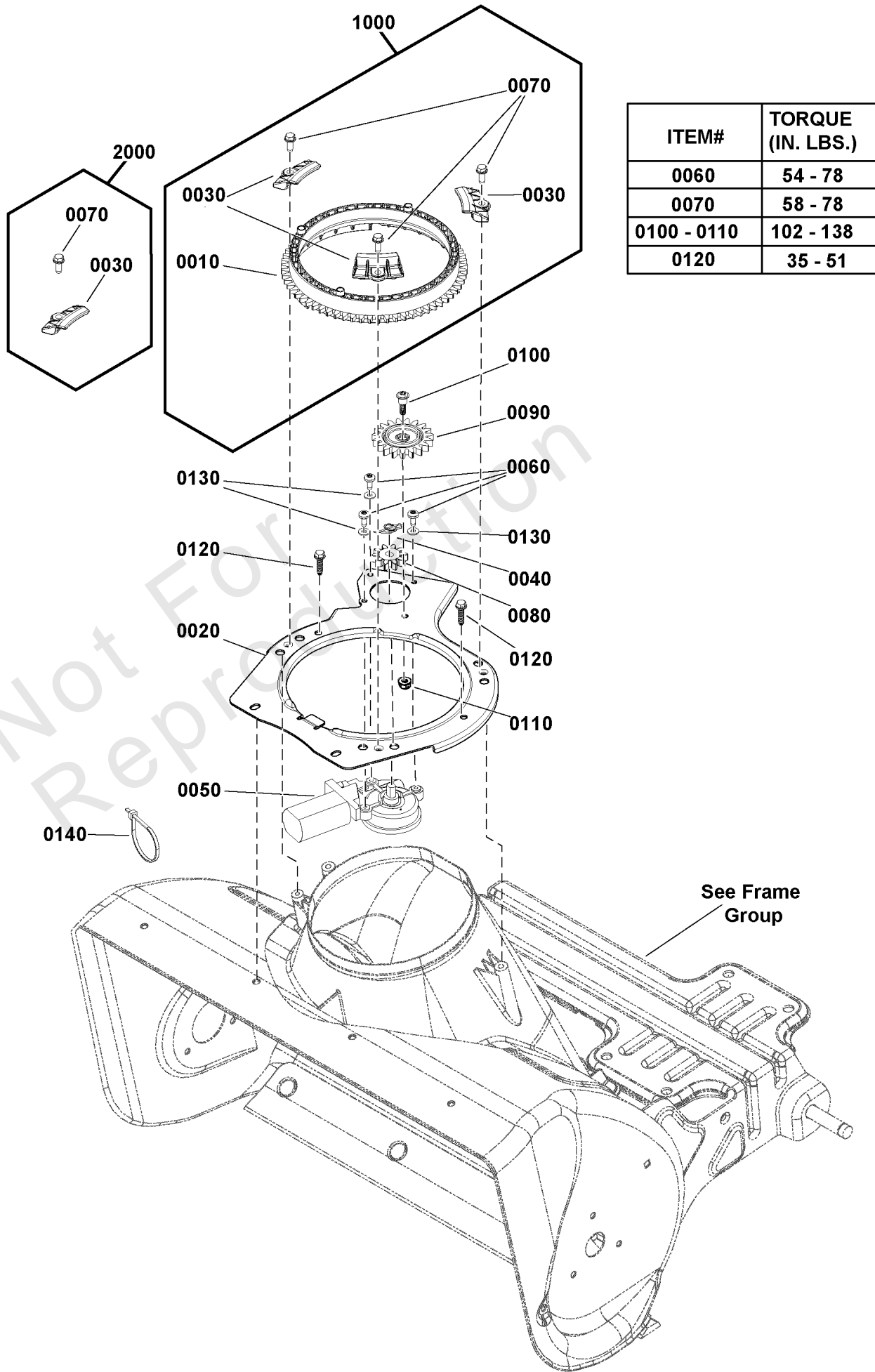
REF NO	PART NO	QTY	DESCRIPTION
0010	709756	1	CHUTE ASSEMBLY, Quick

Not For Reproduction

Chute Rotation Group - Electric

Note: Unless noted otherwise, use the standard torque specifications

Mfg. No: 1697294-00



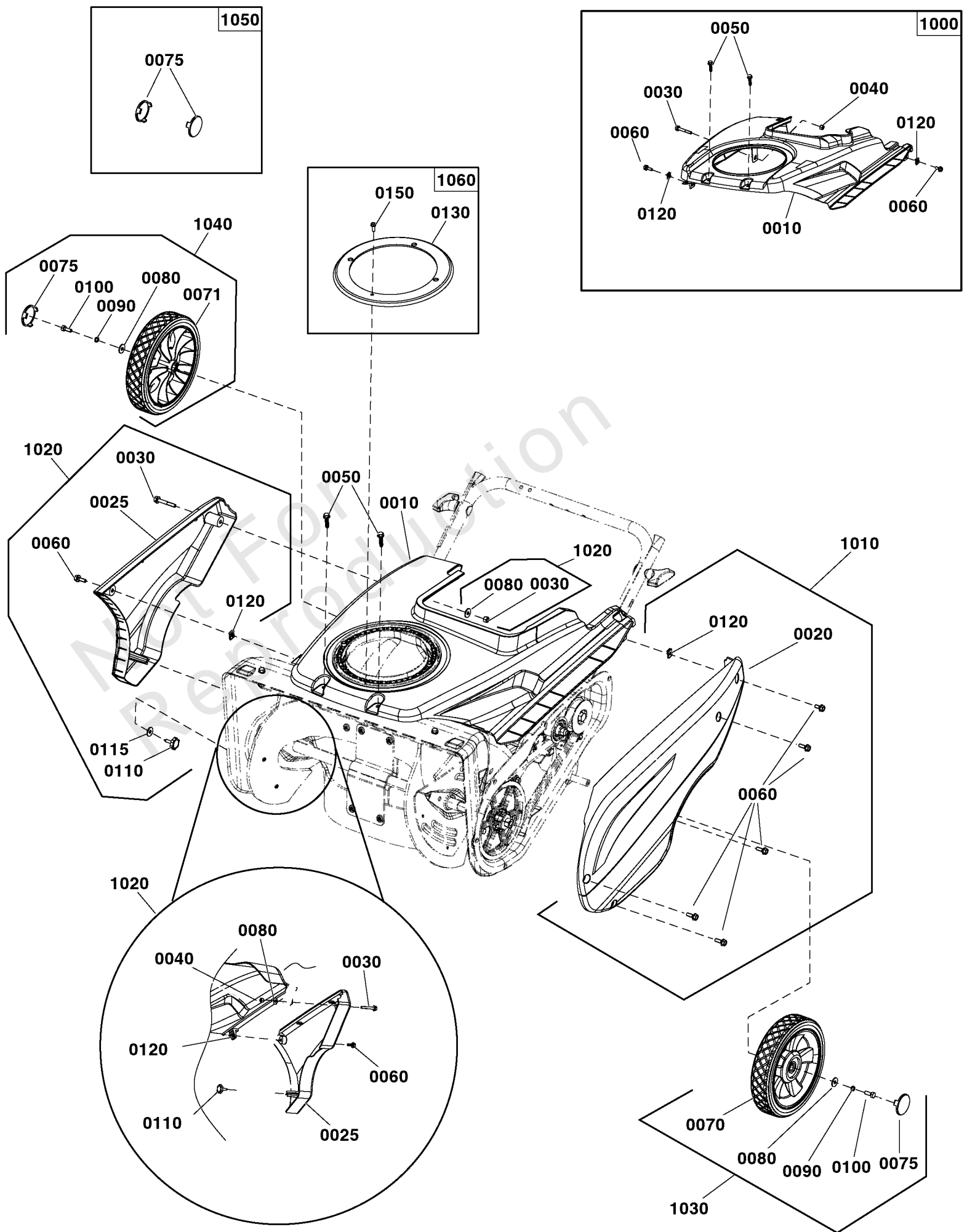
Chute Rotation Group - Electric

REF NO	PART NO	QTY	DESCRIPTION
0010	706509	1	GEAR
0020	-----	1	PLATE, Chute Rotation Electric -(Not a serviceable part)
0030	706511	3	RETAINER, CHUTE GEAR
0040	7091594SM	1	PIN, Cotter, 1/2
0050	708703	1	MOTOR, Chute Rotation
0060	1739621YP	3	SCREW, Torx Button Head, M5 x .8 x 14
0070	703054	3	SCREW, Hex Washer Head, 1/4-20 x 5/8
0080	84006454	1	GEAR, 10T
0090	84006455	1	GEAR, 19T
0100	706514	1	SCREW, Shoulder, Button Torx Washer Head, 1/4-20 x 1
0110	703463	1	NUT, Flange Nylock , 1/4-20
0120	706516	2	SCREW, Hi-Low, 1/4-15 x 1
0130	7091552SM	3	WASHER, Flat, 7/32
0140	7024649YP	1	WIRE TIE, 11 Inch Standard Black Nylon
1000	709922	1	KIT, CHUTE GEAR -(Incl. Ref. Nos. 0010, 0030 & 0070)
2000	709923	1	KIT, CHUTE RETAINER -(Incl. Ref. Nos. 0030 & 0070)

Cover & Wheel Group

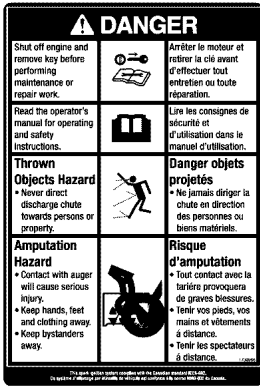
Note: Unless noted otherwise, use the standard torque specifications

Mfg. No: 1697294-00



Cover & Wheel Group

REF NO	PART NO	QTY	DESCRIPTION
1000	709891	1	KIT, TOP COVER -(Incl. Ref. Nos. 0010, 0030, 0040, 0050, 0060 & 0120)
0010	-----	1	COVER, Top, Continuum Charcoal
0030	-----	1	SCREW, M6x40, Hex Flange Head
0040	-----	1	NUT, M6, Lock
0050	7091081SM	2	SCREW, 1/4-15X3/4, Self-Tapping, BZ
0060	-----	2	SCREW, M6x16, Hex Washer Head
0120	-----	2	NUT, M6, CLIP
1010	709896	1	KIT, DRIVE CASE COVER -(Incl. Ref. Nos. 0020, 0060 & 0120)
0020	-----	1	COVER, Drive Case, Black
0060	-----	7	SCREW, M6x16, Hex Washer Head
0120	-----	1	NUT, M6, CLIP
1020	709916	1	KIT, SIDE COVER, RIGHT -(Incl. Ref. Nos. 0025, 0030, 0040, 0060, 0080,0110 & 0120)
0025	-----	1	COVER, Side, Continuum Charcoal
0030	-----	1	SCREW, M6x40, Hex Flange Head
0040	-----	1	NUT, M6, Lock
0060	-----	2	SCREW, M6x16, Hex Washer Head
0080	-----	1	WASHER, 6 X 18 X 1.5, Flat
0110	-----	1	SCREW, M5x20, Knob, Self-Tapping
0115	-----	1	WASHER, Flat, 5X10X1
0120	-----	2	NUT, M6, CLIP
1030	709885	1	KIT, WHEEL, LEFT, PEWTER -(Incl. Ref. Nos. 0070, 0075, 0080, 0090, 0100)
0070	-----	1	WHEEL, Left, 1.75 X 8, Pewter
0075	-----	1	COVER, End, Wheel, Pewter
0080	-----	1	WASHER, 6 X 18 X 1.5, Flat
0090	-----	1	WASHER, M6, Split Lock, MC
0100	-----	1	BOLT, M6x16, Hex Head
1040	770059	1	KIT, WHEEL, RIGHT, PEWTER -(Incl. Ref. Nos. 0071, 0075, 0080, 0090, 0100)
0071	-----	1	WHEEL, Right, 1.75 X 8, Pewter
0075	-----	1	COVER, End, Wheel, Pewter
0080	-----	1	WASHER, 6 X 18 X 1.5, Flat
0090	-----	1	WASHER, M6, Split Lock, MC
0100	-----	1	BOLT, M6x16, Hex Head
1050	709883	1	KIT, Wheel Cover, Pewter -(Incl. Ref. Nos. 0075)
0075	-----	2	COVER, End, Wheel, Pewter
1060	709887	1	KIT, CHUTE MOISTURE COVER -(Incl. Ref. Nos. 0130 & 0150)
0130	-----	1	COVER, Chute Moisture
0150	316042MA	1	CAPSCREW, Hex Washer Head, #10-HL x 5/8



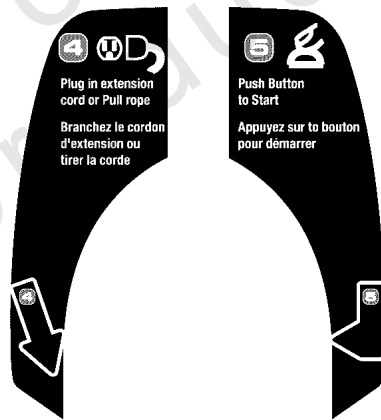
0010



0020

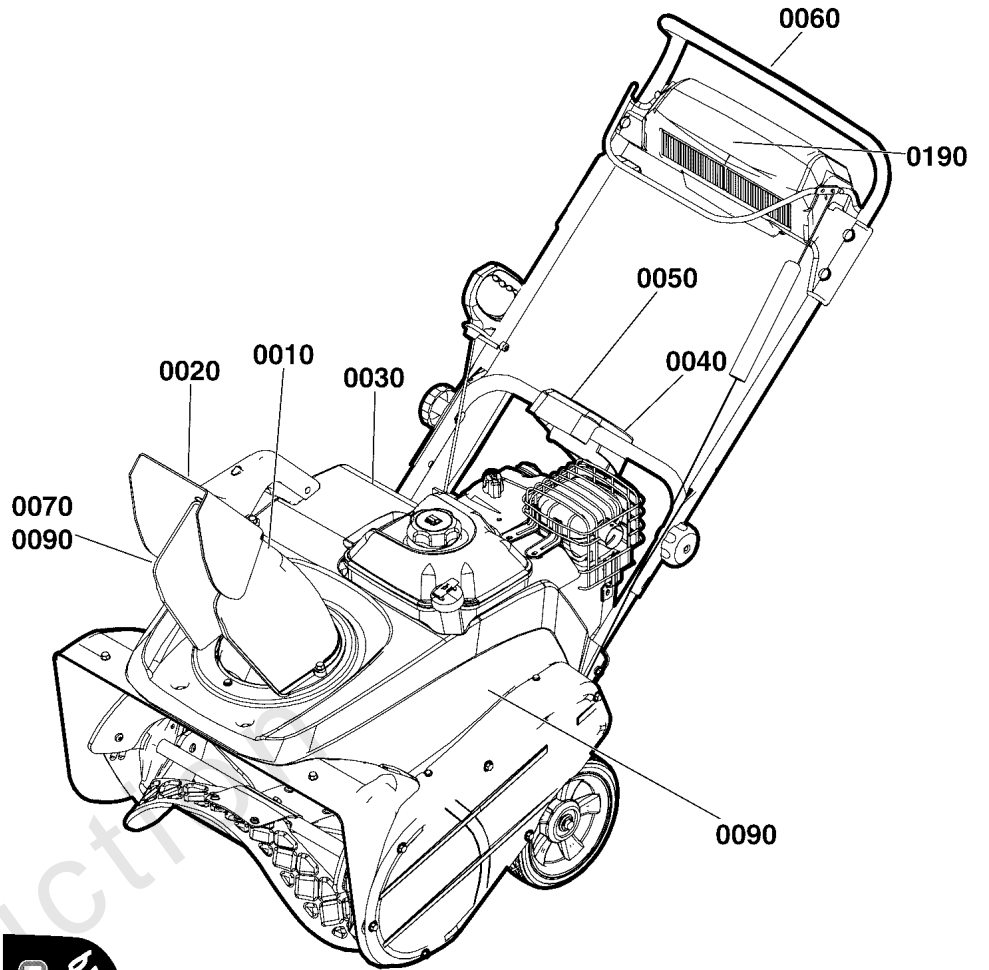


0030



0040

0050



0060



0090



0070

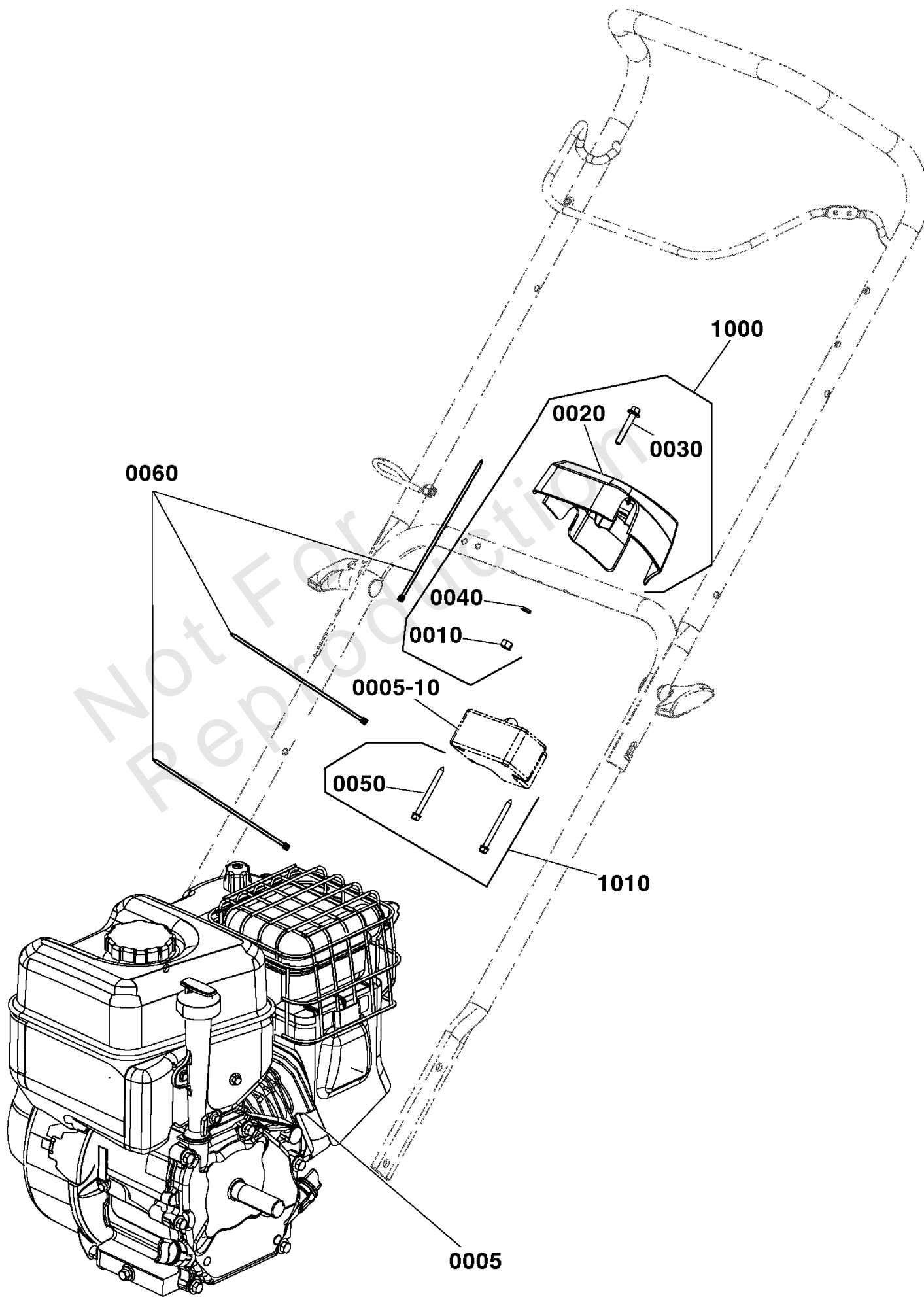


0190

Decals Group

REF NO	PART NO	QTY	DESCRIPTION
0010	1739966YP	1	DECAL, Chute, FR-EN
0020	1737865YP	1	DECAL, Danger Chute Warning, FR/ENG
0030	1739970YP	1	DECAL, 1-2-3 Start, FR-EN
0040	1750734YP	1	DECAL, 4, START, FR-EN
0050	1750736YP	1	DECAL, 5, START, FR-EN
0060	1739977YP	1	DECAL, Bail Engagement
0070	84003696	1	DECAL, Model
0090	770590	2	DECAL, Briggs & Stratton
0190	706788	1	DECAL, Briggs & Stratton Logo

Not For Reproduction



Engine Group

REF NO	PART NO	QTY	DESCRIPTION
0005	13A137-0001-F1	1	*ENGINE, 9.5TP Briggs & Stratton -(Engine Model: 13A137-0001-F1) (Refer to Note: *)
0005-10	591702	1	**MOTOR, Starter -(Refer to Note: **)
1000	709863	1	KIT, STARTER HOUSING -(Incl. Ref. Nos. 0010 through 0040) (For electric start only.)
0010	-----	2	NUT, M6, Lock
0020	1754873YP	1	HOUSING, Starter, 110V
0030	-----	1	SCREW, M6x40, Hex Flange Head
0040	-----	1	WASHER, 6x12x.7, Flat
1010	709864	1	KIT, HARDWARE, STARTER -(Incl. Ref. No. 0050) (For electric start only.)
0050	703066	2	SCREW, 8-16 x 2, Pan Head Phillips, Plast.
0060	7024649YP	3	WIRE TIE, 11 Inch Standard Black Nylon
--	6219MA	1	CORD, Electric, 10FT. 110V -(Not Illustrated)

Not For
Reproduction

Footnotes:

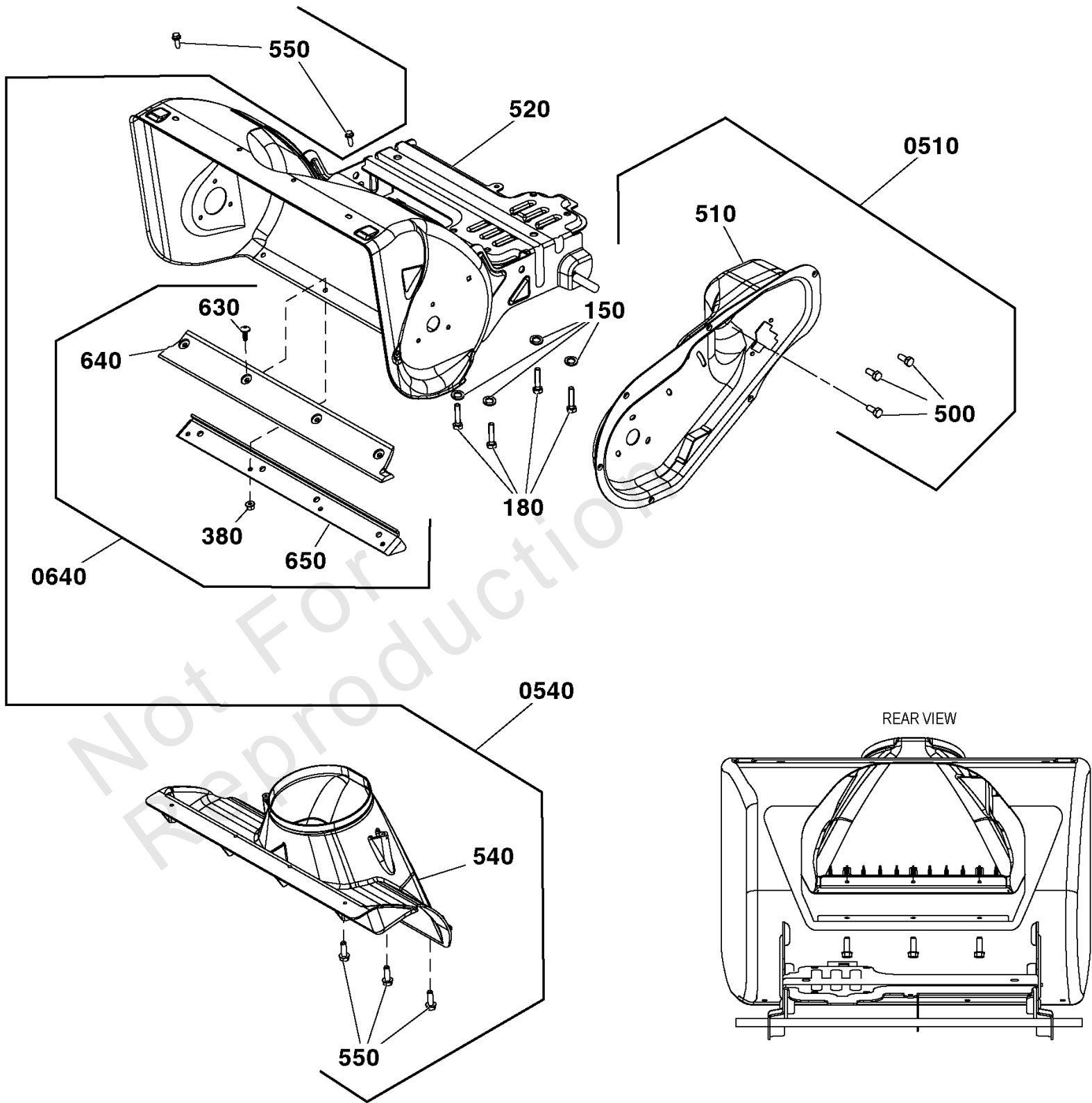
Note** See your local Briggs & Stratton distributor for parts and service.

Note* To verify your specific engine model, please reference the ID Tag located on your engine. See your local Briggs & Stratton distributor for parts and service.

Frame Group

Note: Unless noted otherwise, use the standard torque specifications

Mfg. No: 1697294-00



Frame Group

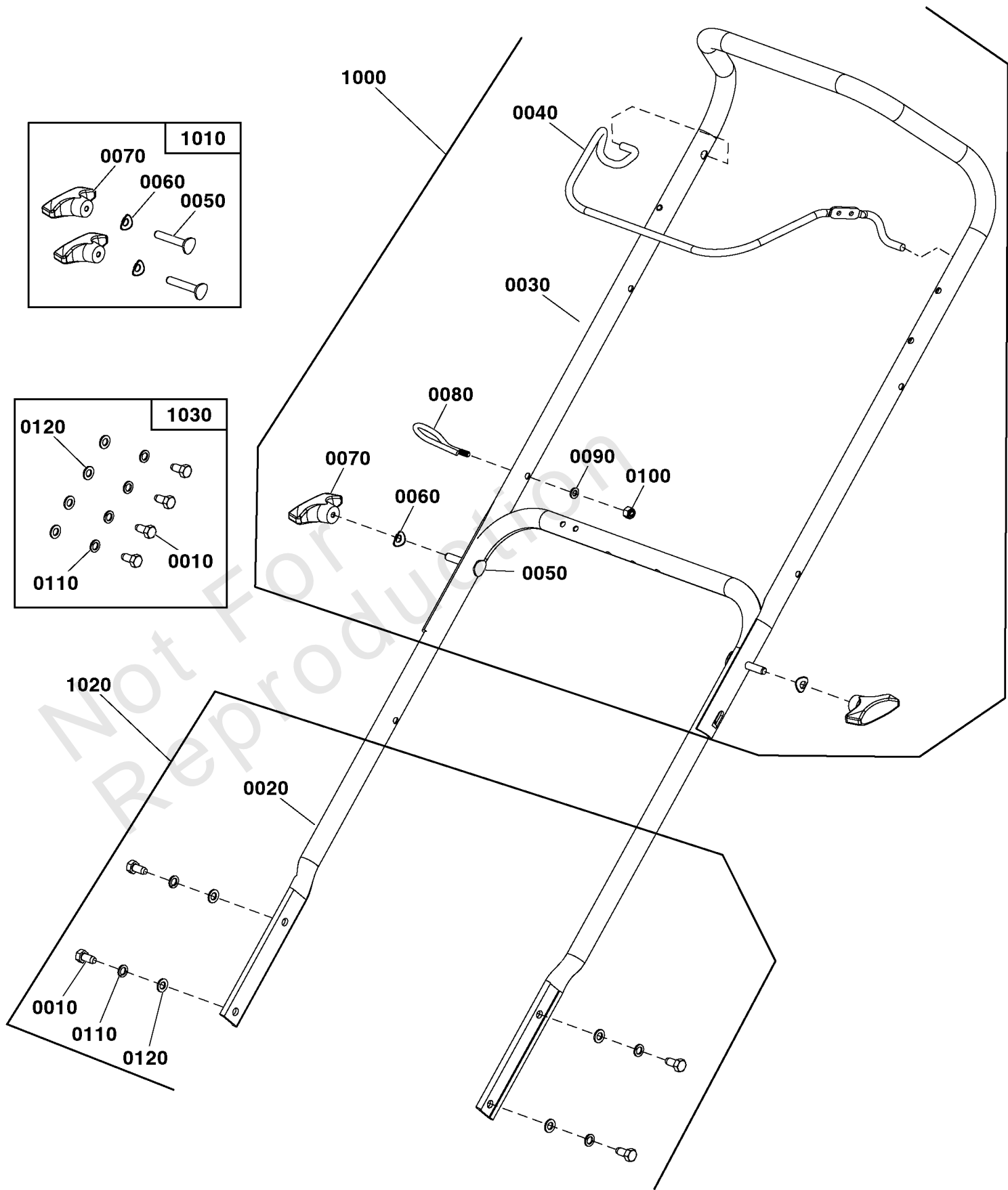
REF NO	PART NO	QTY	DESCRIPTION
150	-----	4	WASHER, M10, Split Lock
180	75246GS	4	SCREW, Hex Washer Head, Taptite, 3/8-16 x 1-1/4
0510	709866	1	KIT, DRIVE HOUSING -(Incl. Ref. Nos. 500, 510)
500	1752876YP	3	CAPSCREW, Hex Head, 5/16-24 x 5/8
510	-----	1	HOUSING, Drive
520	-----	1	HOUSING, Auger -(Not a serviceable part)
0540	84004738	1	KIT, CHIMNEY -(Incl. Ref. Nos. 540, 550)
540	-----	1	CHIMNEY
550	7091081SM	5	SCREW, 1/4-15X3/4, Self-Tapping, BZ
0640	1687805	1	KIT, Scraper Bar -(Incl. Ref. Nos. 380, 630, 640, 650)
380	1752935YP	4	NUT, 1/4-20, Nylon Hex, CZ
630	5025299X5YP	4	SCREW, 1/4-20 X 5/8
640	-----	1	BAR, Scraper, Robolon
650	1752660AYP	1	SUPPORT, Scraper Blade

Not For Reproduction

Handles & Controls Group

Note: Unless noted otherwise, use the standard torque specifications

Mfg. No: 1697294-00



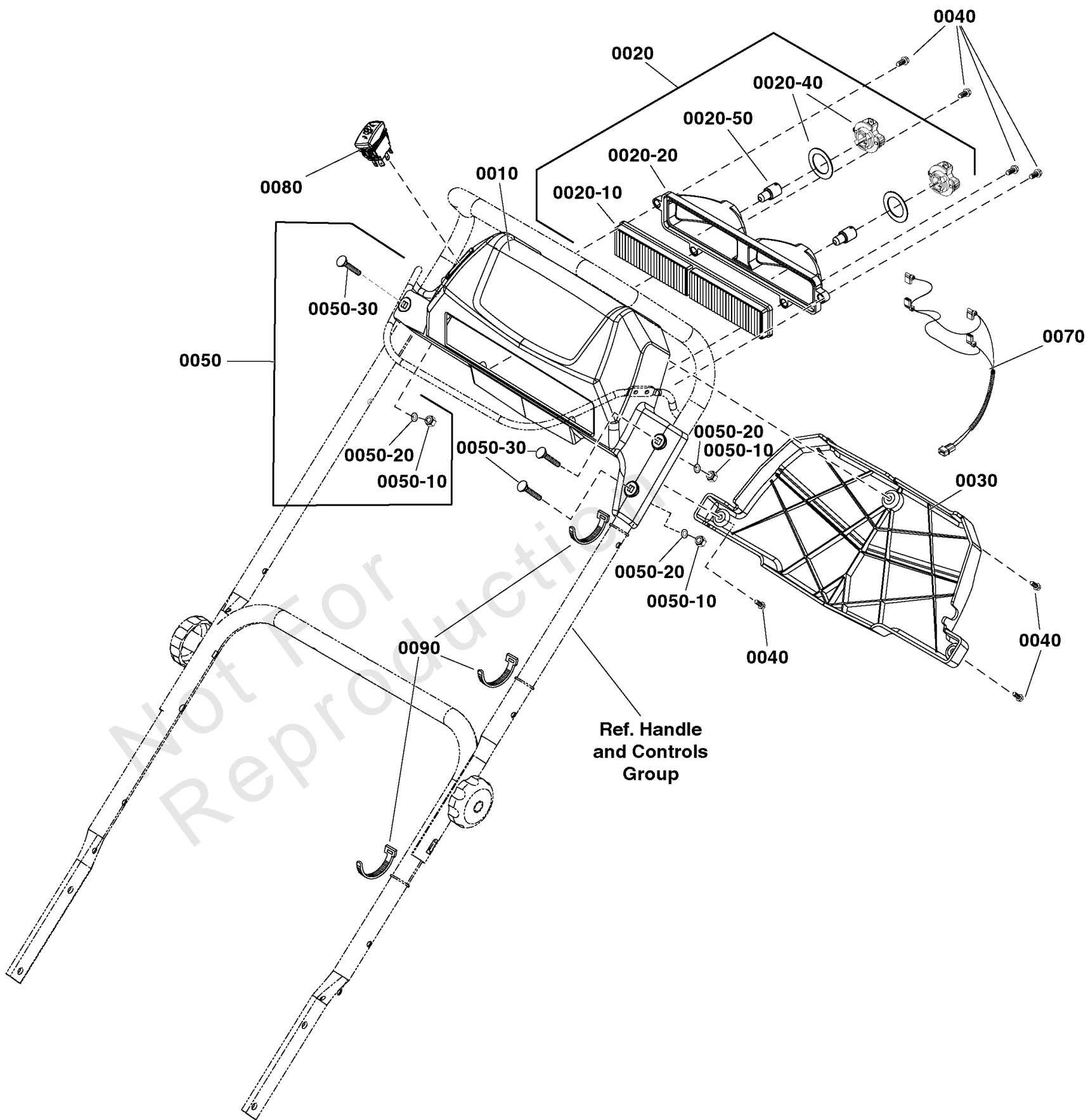
Handles & Controls Group

REF NO	PART NO	QTY	DESCRIPTION
1000	709860	1	KIT, UPPER HANDLE -(Incl. Ref. Nos. 0030 through 0100)
0030	-----	1	HANDLEBAR, Upper SS
0040	709858	1	BAIL, Engine Stop
0050	-----	2	BOLT, M8x40, Carriage, Curved Head
0060	-----	2	WASHER, M8, Curved
0070	-----	2	KNOB, Wing, M8
0080	84002745	1	GUIDE, ROPE
0090	-----	1	WASHER, 6x12x.7, Flat
0100	-----	1	NUT, M6, Lock
1010	709859	2	KIT, UPPER HANDLE HARDWARE -(Incl. Ref. Nos. 0050 through 0070)
0050	-----	2	BOLT, M8x40, Carriage, Curved Head
0060	-----	2	WASHER, M8, Curved
0070	-----	2	KNOB, Wing, M8
1020	709862	1	KIT, LOWER HANDLE -(Incl. Ref. Nos. 0010, 0020, 0110 & 0120)
0010	703988	4	CAPSCREW M8-1.25X16
0020	-----	1	HANDLE, Lower
0110	-----	4	WASHER, Lock, M8
0120	-----	4	WASHER, Flat, 8 X 16 X 1.2
1030	709861	1	KIT, LOWER HANDLE HARDWARE -(Incl. Ref. Nos. 0010, 0110 & 0120)
0010	703988	4	CAPSCREW M8-1.25X16
0110	-----	4	WASHER, Lock, M8
0120	-----	4	WASHER, Flat, 8 X 16 X 1.2

Light Panel Group

Note: Unless noted otherwise, use the standard torque specifications

Mfg. No: 1697294-00



Light Panel Group

REF NO	PART NO	QTY	DESCRIPTION
0010	708157	1	PANEL
0020	84006433	1	HEADLIGHT ASSEMBLY -(Includes Ref. Nos. 0020-10, 0020-20, 0020-40, 0020-50)
0020-10	1736177YP	1	LENS, Twin Light
0020-20	1736178YP	1	DEFLECTOR
0020-40	1736180YP	2	SOCKET & GASKET ASSEMBLY, Headlight
0020-50	84006434	2	LIGHT, LED, 6W
0030	706481	1	COVER, Light Panel
0040	7091105YP	7	SCREW, Hex Washer Head, #10-16 x 1/2
0050	84006458	1	HARDWARE BAG -(Includes Ref. Nos. 0050-10, 0050-20, 0050-30)
0050-10	-----	3	NUT, Lock, M6
0050-20	-----	3	WASHER, 6x12x.7, Flat
0050-30	-----	3	BOLT, M6x35
0070	708158	1	HARNESS, Wiring with Remote Rectifier
0080	1754865YP	1	SWITCH, Chute Rotation
0090	7024649YP	4	WIRE TIE, 11 Inch Standard Black Nylon

Not For Reproduction

