



Parts Manual

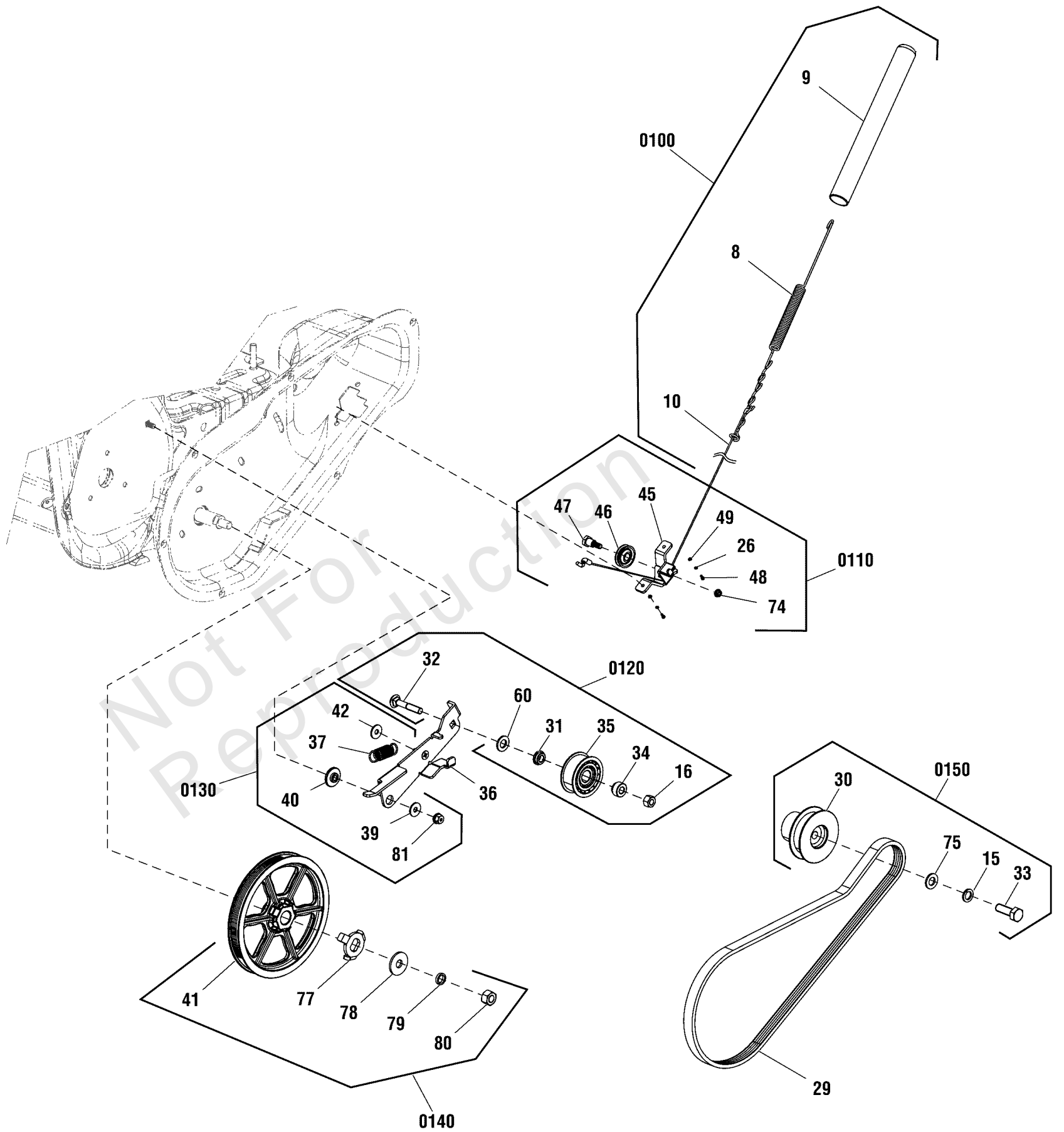
Mfg. No: 1697116-00
622, B&S 5.5 Gross TP 22" Single Stage
Snowthrower (2019)



Auger Drive Group

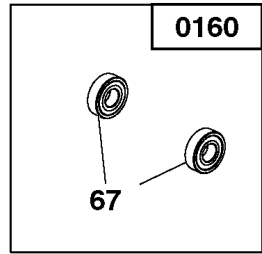
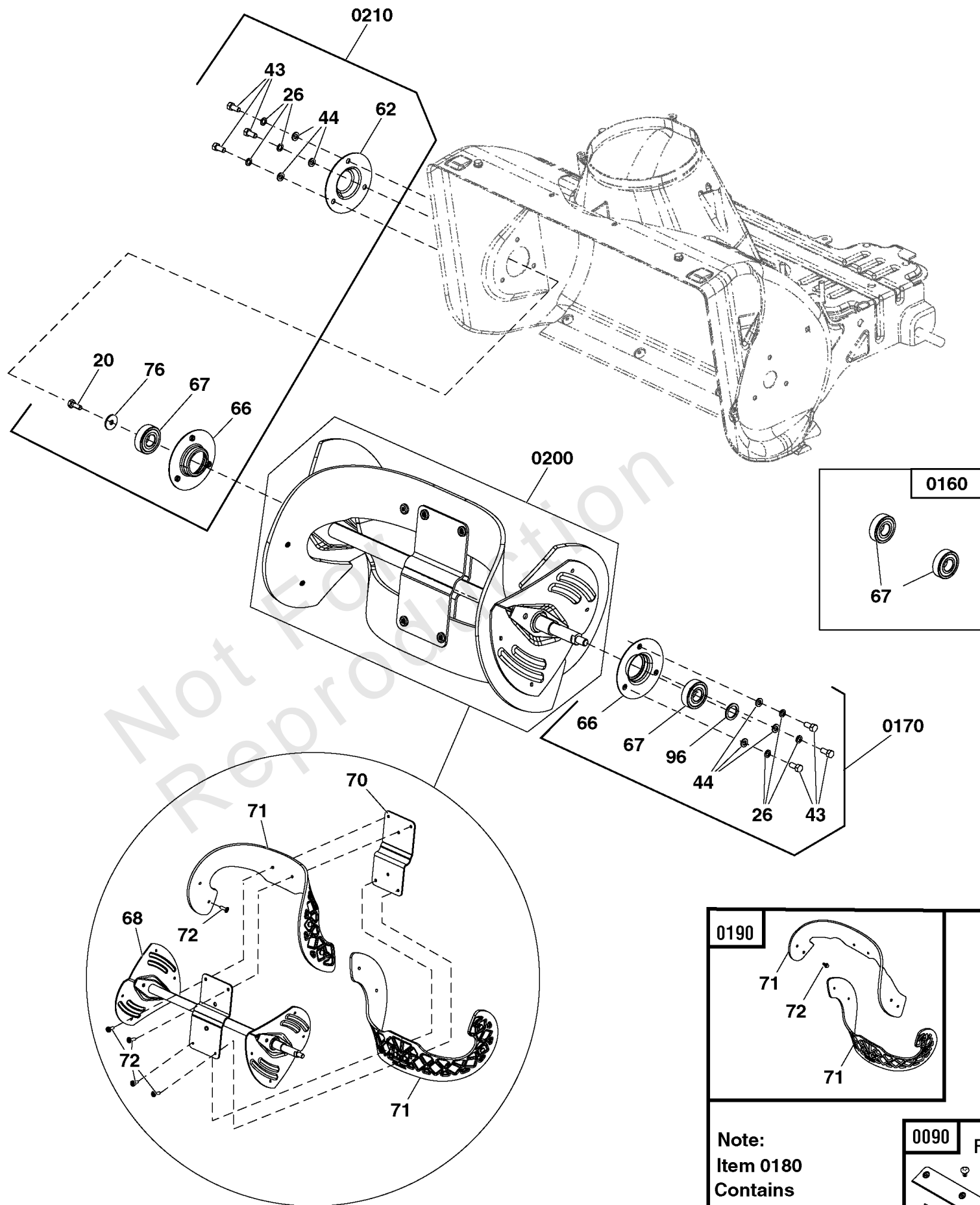
Note: Unless noted otherwise, use the standard torque specifications

Mfg. No: 1697116-00



Auger Drive Group

REF NO	PART NO	QTY	DESCRIPTION
29	709868	1	BELT, Drive
36	709927	1	PLATE, Tension
0100	709870	1	KIT, AUGER CABLE -(Incl. Ref. Nos. 8, 9, 10)
8	-----	1	SPRING, Cable
9	-----	1	SLEEVE, Rubber
10	-----	1	CABLE, Auger
0110	709871	1	KIT, CABLE BASE, AUGER DRIVE -(Incl. Ref. Nos. 26, 45, 46, 47, 48, 49, 74)
26	-----	2	WASHER, M6, Split Lock, MC
45	-----	1	BRACKET, Cable Guide
46	-----	1	PULLEY, Cable
47	-----	1	SCREW, M6 X 12, Hex Head Shoulder
48	7091835	2	SCREW, M6 1.0X12MM, Hex Head, CZ
49	-----	2	WASHER, 6x12x.7, Flat
74	-----	1	NUT, M6, Flange Head
0120	709872	1	KIT, IDLER PULLEY, TENSION PLATE -(Incl. Ref. Nos. 16, 31, 32, 34, 35, 60)
16	-----	1	NUT, M8, Lock
31	-----	1	Spacer, 8.5 ID, 18 OD, 6 Thick, Shoulder
32	-----	1	BOLT, M8x40, Carriage
34	-----	1	SPACER, Idler Pulley
35	-----	1	PULLEY, 8 ID, 53 OD, 22 Wide, Idler
60	-----	1	WASHER, 10x20x1.8, Flat
0130	709874	1	KIT, HARDWARE, IDLER BRACKET -(Incl. Ref. Nos. 37, 39, 40, 42, 81)
37	709869	1	SPRING, Tension
39	-----	1	WASHER, 6 X 18 X 1.5, Flat
40	-----	1	SPACER, Idler Arm
42	-----	1	WASHER, 8x22x2, Flat
81	-----	1	* NUT, M6, Flange Head, Lock
0140	709875	1	KIT, AUGER PULLEY -(Incl. Ref. Nos. 41, 77, 78, 79, 80)
41	-----	1	PULLEY, Driven
77	-----	1	CLAW, Coupling
78	-----	1	WASHER, 10x25x2, Flat
79	-----	1	WASHER, M10, Split Lock
80	-----	1	NUT, Lock, M10
0150	84003671	1	KIT, Engine Pulley -(Incl. Ref. Nos. 15, 30, 33, 75)
15	-----	1	WASHER, M10, Split Lock
30	80079550	1	PULLEY, Driver
33	720016	1	SCREW, 3/8-24 x 1, Hex Head
75	-----	1	WASHER, 10x28x3, Flat



<p>0190</p>	<p>0180</p>
<p>Note: Item 0180 Contains Item 0090 and Item 0190</p> <div style="display: flex; align-items: center;"> <div style="border: 1px solid black; padding: 2px; margin-right: 5px;">0090</div> <div style="text-align: center;"> <p>Ref. Frame Group</p> </div> </div> <p style="text-align: center;">Ref. Frame Group</p>	

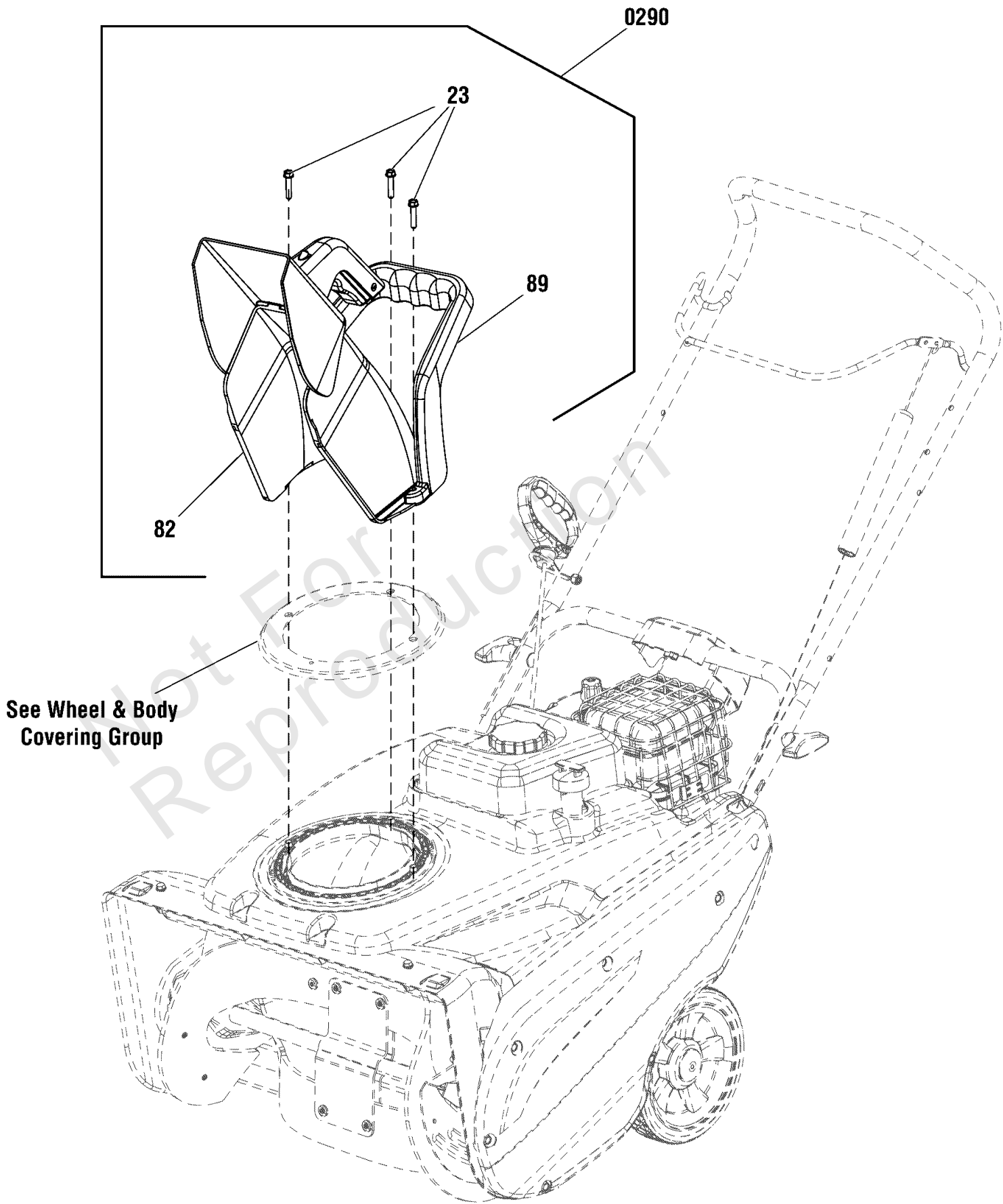
Auger Group

REF NO	PART NO	QTY	DESCRIPTION
0090	770004	1	KIT-SCRAPER BAR -(Incl. Ref. Nos. 38, 63, 64, 65)
38	1752935	4	NUT, 1/4-20, Nylon Hex, CZ
63	5025299X5	4	SCREW, 1/4-20 x 5/8, Allen Head
64	-----	1	BAR, Scraper, Robolon
65	-----	1	SUPPORT, Scraper Blade
0160	709877	1	KIT, AUGER BEARING -(Incl. Ref. No. 67)
67	-----	2	BEARING
0170	709878	1	KIT, AUGER BEARING, LEFT -(Incl. Ref. Nos. 26, 43, 44, 66, 67, 96)
26	-----	3	WASHER, M6, Split Lock, MC
43	7091835	3	SCREW, M6 1.0X12MM, Hex Head, CZ
44	-----	3	WASHER, 6x12x.7, Flat
66	-----	1	RETAINER, Bearing
67	-----	1	BEARING
96	-----	1	WASHER, Flat, 18x24x2
0180	709879	1	KIT, AUGER FLIGHT & SCRAPER BAR -(Incl. Ref. Nos. 38, 63, 64, 65, 71, 72)
38	1752935	4	NUT, 1/4-20, Nylon Hex, CZ
63	5025299X5	4	SCREW, 1/4-20 x 5/8, Allen Head
64	-----	1	BAR, Scraper, Robolon
65	-----	1	SUPPORT, Scraper Blade
71	1739727	2	FLIGHT, Auger
72	7091246	12	SCREW, 1/4-20 x 3/4" Pan Head Self-Tap (Torx) BZ
0190	1687804	1	KIT, AUGER FLIGHT -(Incl. Ref. Nos. 71, 72)
71	1739727	2	FLIGHT, Auger
72	7091246	12	SCREW, 1/4-20 x 3/4" Pan Head Self-Tap (Torx) BZ
0200	709881	1	KIT-AUGER ASSEMBLY -(Incl. Ref. Nos. 68, 70, 71, 72)
68	-----	1	SHAFT, Auger Assembly
70	-----	1	PLATE, Center
71	1739727	2	FLIGHT, Auger
72	7091246	12	SCREW, 1/4-20 x 3/4" Pan Head Self-Tap (Torx) BZ
0210	709882	1	KIT, AUGER BEARING, RIGHT -(Incl. Ref. Nos. 20, 26, 43, 44, 62, 66, 67, 76)
20	-----	1	BOLT, M6x16, Hex Head
26	-----	6	WASHER, M6, Split Lock, MC
43	7091835	6	SCREW, M6 1.0X12MM, Hex Head, CZ
44	-----	6	WASHER, 6x12x.7, Flat
62	-----	1	CAP, Bearing
66	-----	1	RETAINER, Bearing
67	-----	1	BEARING
76	-----	1	WASHER, 6x23x3, Flat

Chute Group - Manual

Note: Unless noted otherwise, use the standard torque specifications

Mfg. No: 1697116-00



Chute Group - Manual

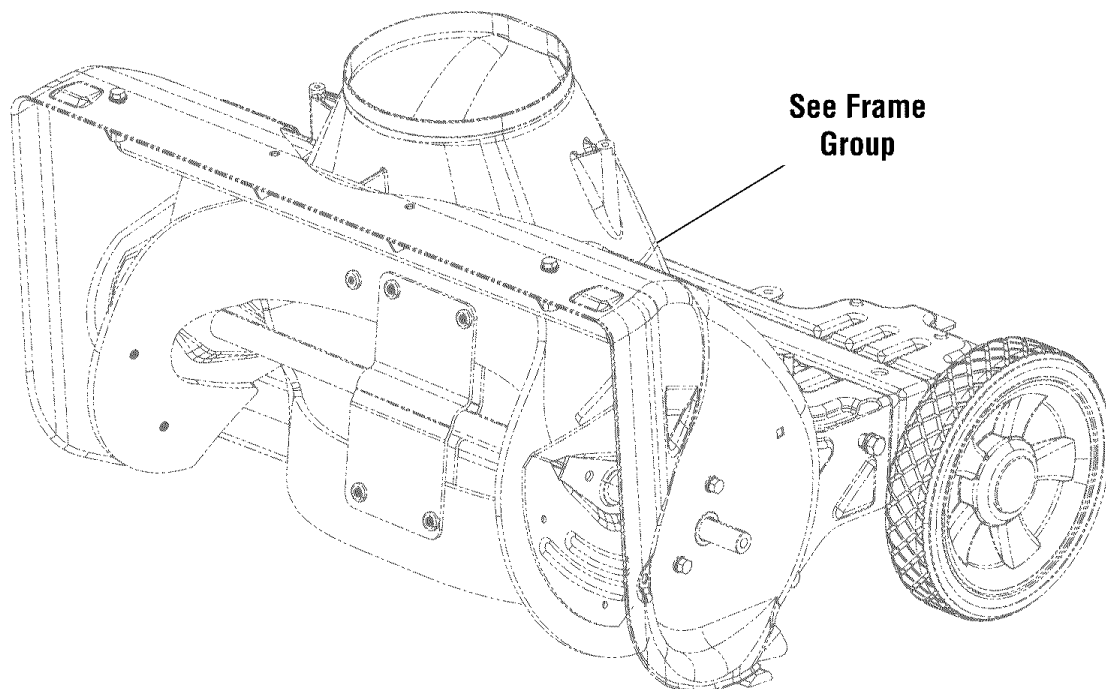
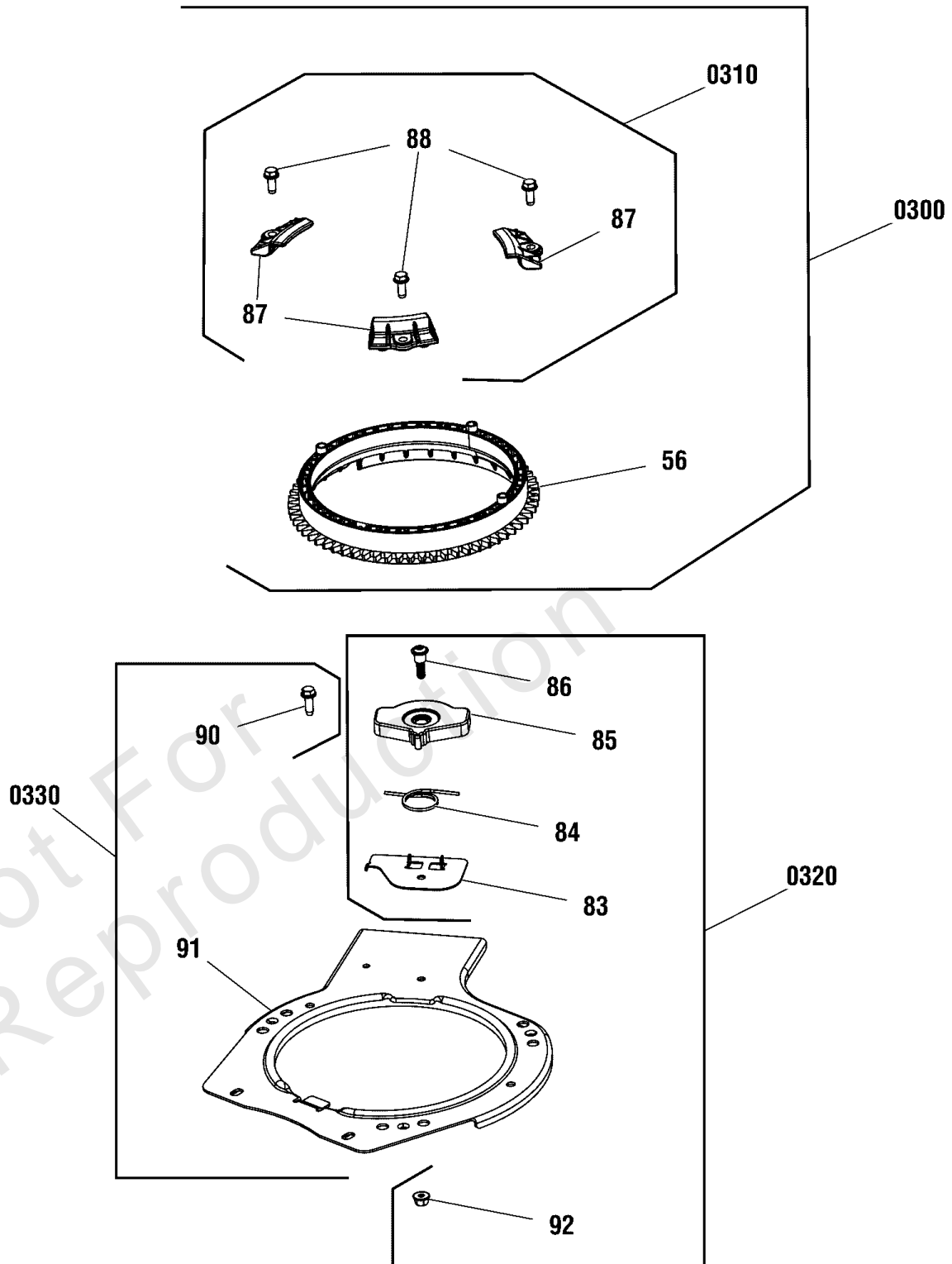
REF NO	PART NO	QTY	DESCRIPTION
0290	709921	1	KIT, CHUTE ASSEMBLY -(Incl. Ref. Nos. 23, 82, 89, 301, 302)
23	1751399YP	3	SCREW, Self Tapping, 1/4-15 x 1-1/4
82	-----	1	*CHUTE, Assembly, Quick Deflector
89	1739692YP	1	HANDLE, Chute Rotation
301	1737865YP	1	DECAL, Danger Chute Warning, FR/ENG
302	1739966YP	1	DECAL, Chute, FR-EN

Not For Reproduction

Chute Rotation Group - Manual

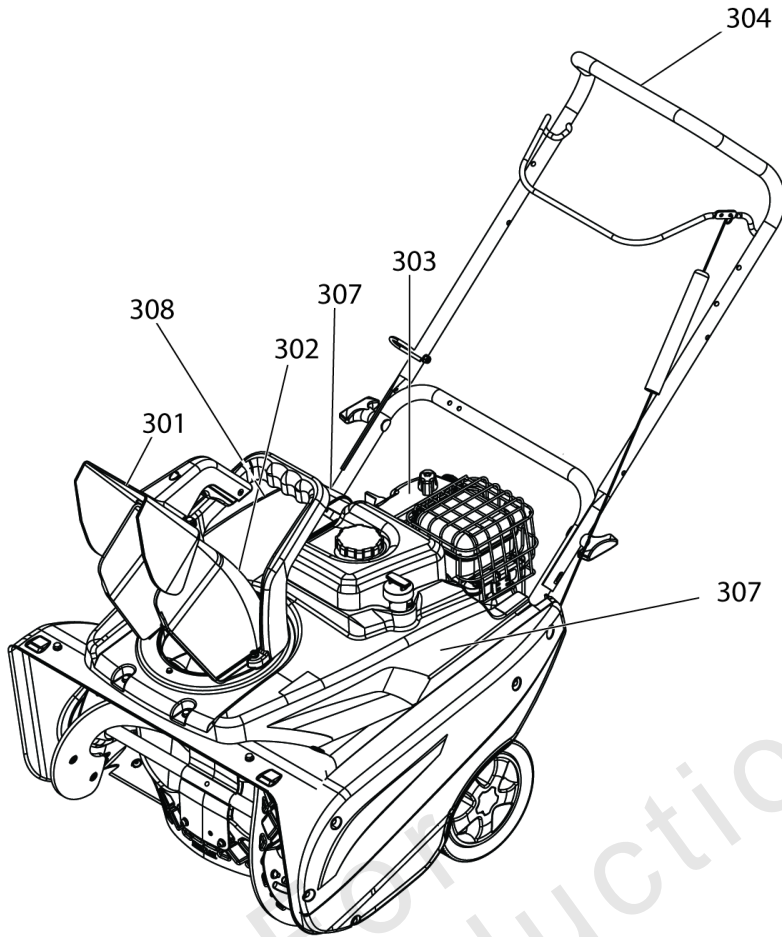
Note: Unless noted otherwise, use the standard torque specifications

Mfg. No: 1697116-00

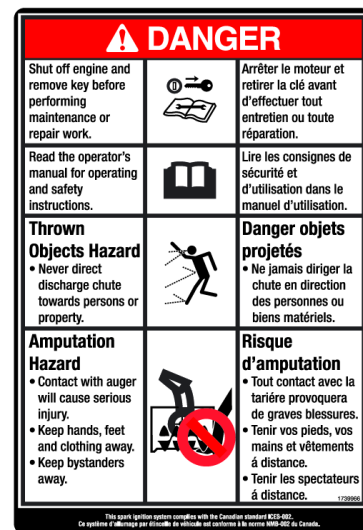


Chute Rotation Group - Manual

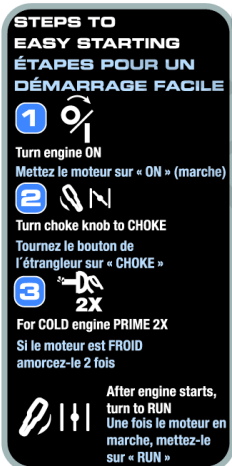
REF NO	PART NO	QTY	DESCRIPTION
0300	709922	1	KIT, CHUTE GEAR -(Incl. Ref. Nos. 56, 87, 88)
56	-----	1	GEAR, 65T, 8P, Driven, SS Chute Rotation
87	-----	3	RETAINER, Chute
88	703054	3	SCREW, Hex Washer Head, 1/4-20 x 5/8
0310	709923	1	KIT, CHUTE RETAINER -(Incl. Ref. Nos. 87, 88)
87	-----	3	RETAINER, Chute
88	703054	3	SCREW, Hex Washer Head, 1/4-20 x 5/8
0320	709924	1	KIT, CHUTE ROTATION LEVER -(Incl. Ref. Nos. 83, 84, 85, 86, 92)
83	-----	1	BASE PLATE
84	-----	1	SPRING, Torsion
85	-----	1	LEVER, Chute Rotation
86	-----	1	SCREW, Shoulder, Button Torx Washer Head, 1/4-20 x 1
92	-----	1	NUT, Flange, Nylock, 1/4-20
0330	709925	1	KIT, CHUTE ADAPTER PLATE -(Incl. Ref. Nos. 90, 91)
90	-----	2	*SCREW, Hex Washer, 1/4-15 X 1.00, CZ
91	-----	1	*PLATE, Chute Mounting



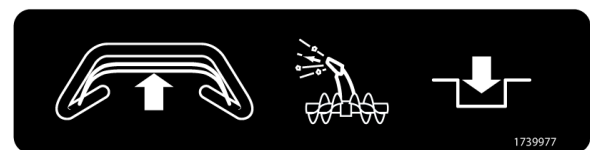
301



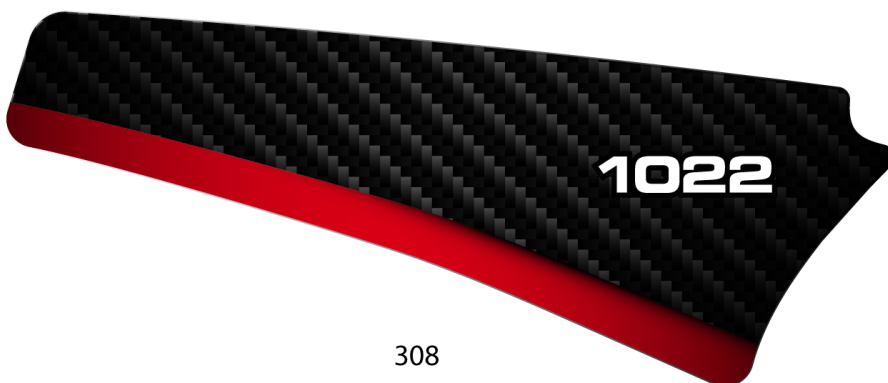
302



303



304



308



307

Decals Group

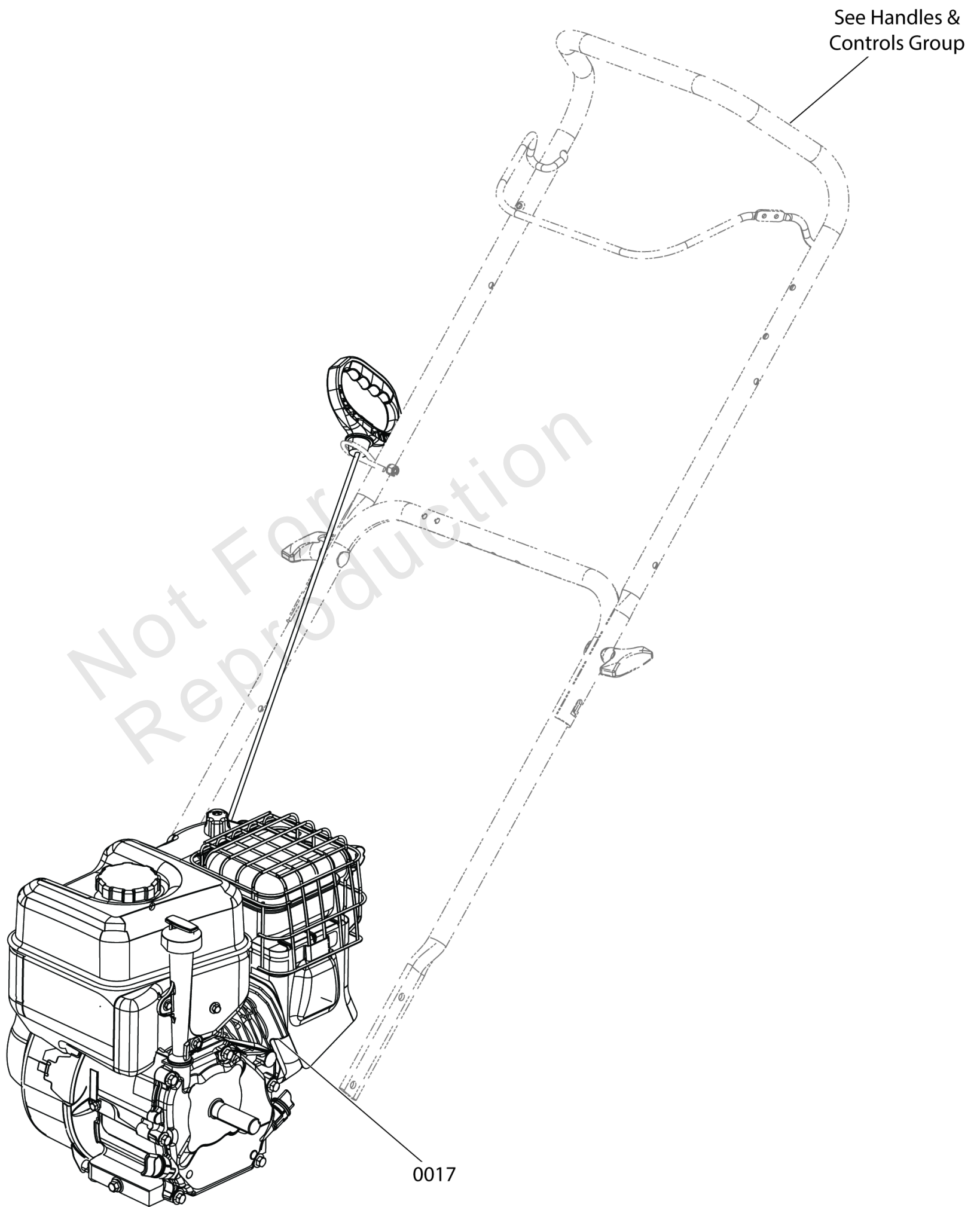
REF NO	PART NO	QTY	DESCRIPTION
301	1737865YP	1	DECAL, Danger Chute Warning, FR/ENG
302	1739966YP	1	DECAL, Chute, FR-EN
303	1739970YP	1	DECAL, 1-2-3 Start, FR-EN
304	1739977YP	1	DECAL, Bail Engagement
307	-----	2	DECAL, Briggs Brand
308	80080071	1	DECAL, Model, 622 -(Recoil Start)

Not For Reproduction

Engine Group

Note: Unless noted otherwise, use the standard torque specifications

Mfg. No: 1697116-00



Engine Group

REF NO	PART NO	QTY	DESCRIPTION
0017	08C132-8999-F1	1	ENGINE -(Refer to Note: *)

Not For
Reproduction

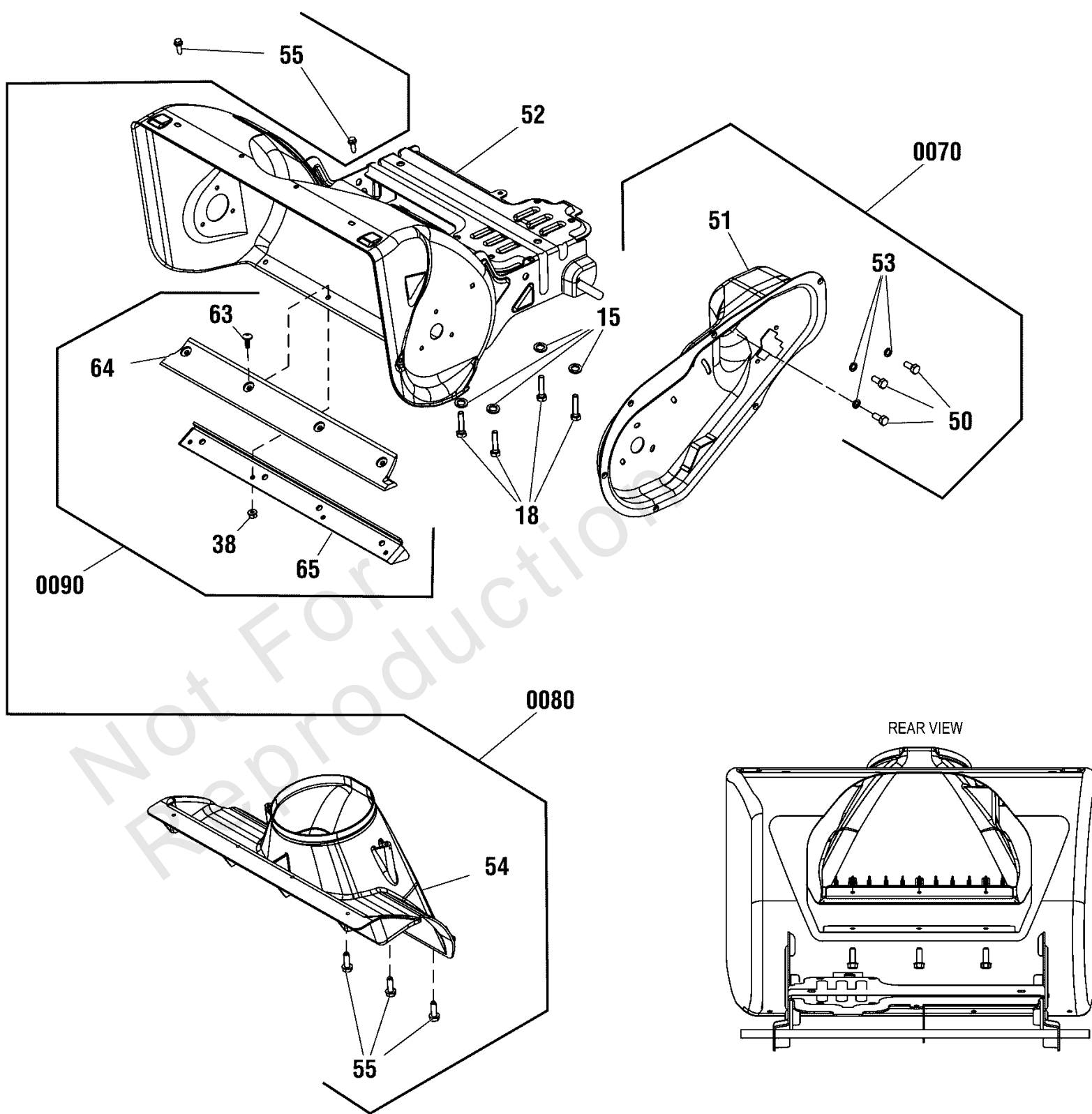
Footnotes:

Note* To verify your specific engine model, please reference the ID Tag located on your engine. See your local Briggs & Stratton distributor for parts and service.

Frame Group

Note: Unless noted otherwise, use the standard torque specifications

Mfg. No: 1697116-00



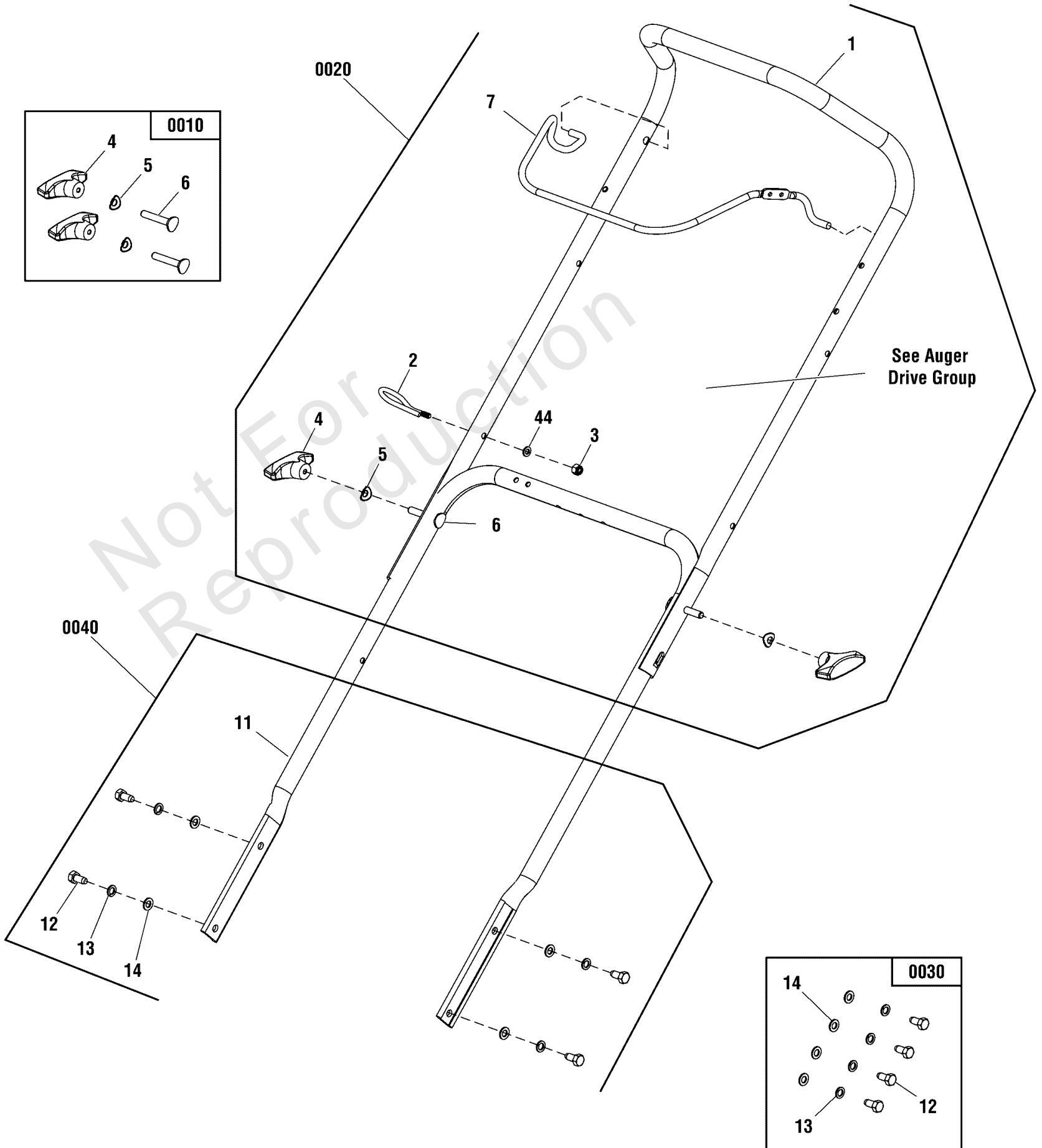
Frame Group

REF NO	PART NO	QTY	DESCRIPTION
15	-----	4	WASHER, M10, Split Lock
18	75246GS	4	SCREW, Hex Washer Head, Taptite, 3/8-16 x 1-1/4
52	-----	1	HOUSING, Auger
0070	709866	1	KIT, DRIVE HOUSING -(Incl. Ref. Nos. 50, 51, 53)
50	1752876YP	3	CAPSCREW, Hex Head, 5/16-24 x 5/8
51	-----	1	HOUSING, Drive
53	-----	3	LOCKWASHER, Spring, 5/16
0080	709867	1	KIT, CHIMNEY -(Incl. Ref. Nos. 54, 55)
54	-----	1	CHIMNEY
55	7091081SM	5	SCREW, 1/4-15X3/4, Self-Tapping, BZ
0090	770004	1	KIT-SCRAPER BAR -(Incl. Ref. Nos. 38, 63, 64, 65)
38	1752935YP	4	NUT, 1/4-20, Nylon Hex, CZ
63	5025299X5YP	4	SCREW, 1/4-20 X 5/8
64	-----	1	BAR, Scraper, Robolon
65	1752660AYP	1	SUPPORT, Scraper Blade

Handles & Controls Group

Note: Unless noted otherwise, use the standard torque specifications

Mfg. No: 1697116-00



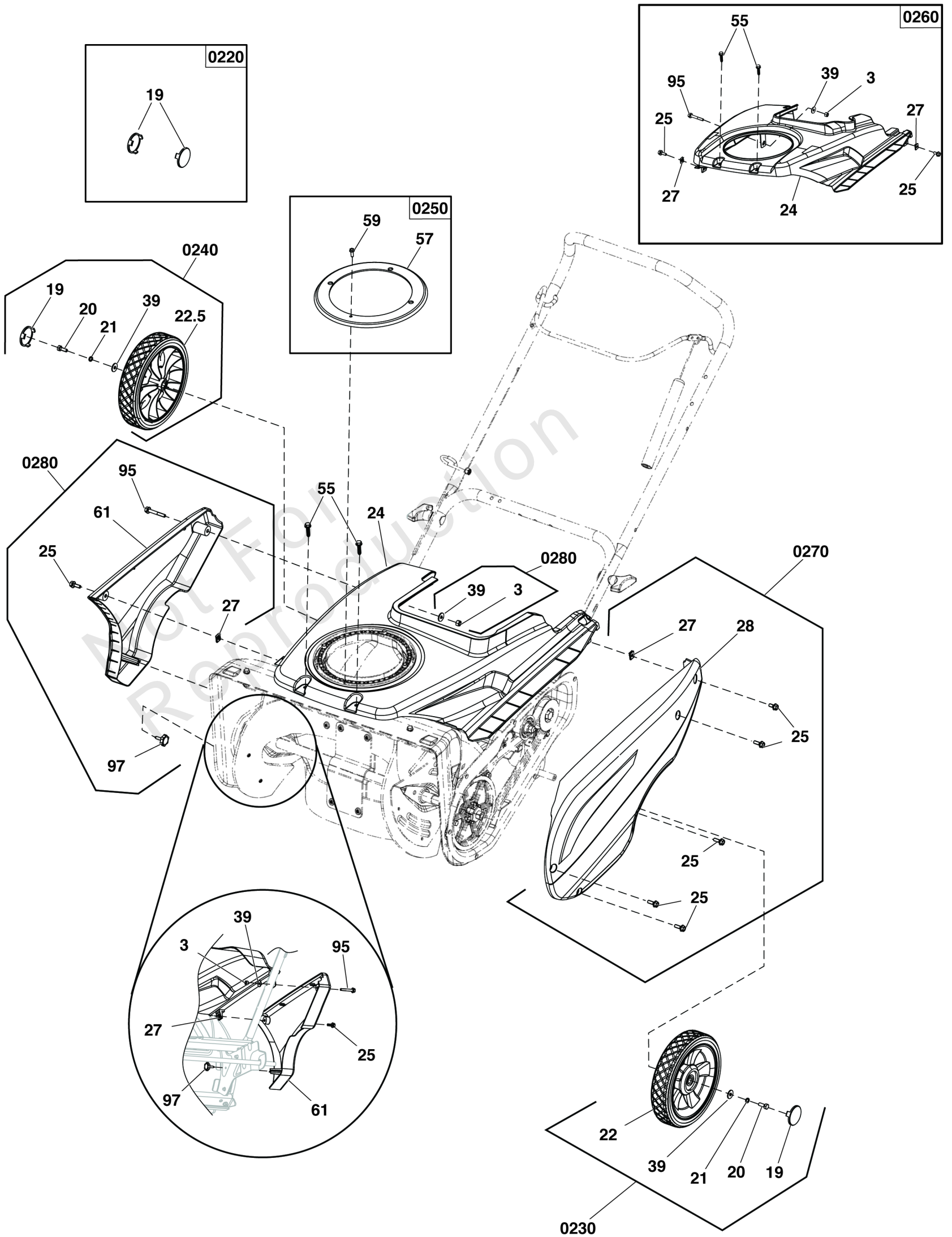
Handles & Controls Group

REF NO	PART NO	QTY	DESCRIPTION
0010	709859	2	KIT, UPPER HANDLE HARDWARE -(Incl. Ref. Nos. 4, 5, 6)
4	-----	2	KNOB, Wing, M8
5	-----	2	WASHER, M8, Curved
6	-----	2	BOLT, M8x40, Carriage, Curved Head
0020	709860	1	KIT, UPPER HANDLE -(Incl. Ref. Nos. 1, 2, 3, 4, 5, 6, 7, 44)
1	-----	1	HANDLEBAR, Upper SS
2	-----	1	GUIDE, Rope
3	-----	1	NUT, M6, Lock
4	-----	2	KNOB, Wing, M8
5	-----	2	WASHER, M8, Curved
6	-----	2	BOLT, M8x40, Carriage, Curved Head
7	709858	1	BAIL, Engine Stop
44	-----	1	WASHER, 6x12x.7, Flat
0030	709861	1	KIT, LOWER HANDLE HARDWARE -(Incl. Ref. Nos. 12, 13, 14)
12	703988	1	CAPSCREW M8-1.25X16
13	-----	4	WASHER, Lock, M8
14	-----	4	WASHER, Flat, 8 X 16 X 1.2
0040	709862	1	KIT, LOWER HANDLE -(Incl. Ref. Nos. 11, 12, 13, 14)
11	-----	1	HANDLE, Lower
12	703988	4	CAPSCREW M8-1.25X16
13	-----	4	WASHER, Lock, M8
14	-----	4	WASHER, Flat, 8 X 16 X 1.2

Wheel & Body Covering Group

Note: Unless noted otherwise, use the standard torque specifications

Mfg. No: 1697116-00



Wheel & Body Covering Group

REF NO	PART NO	QTY	DESCRIPTION
0220	709883	1	KIT, Wheel Cover, Pewter -(Incl. Ref. Nos. 19)
19	-----	2	COVER, End, Wheel, Pewter
0230	709885	1	KIT, WHEEL, LEFT, PEWTER -(Incl. Ref. Nos. 19, 20, 21, 22 & 39)
19	-----	1	COVER, End, Wheel, Pewter
20	-----	1	BOLT, M6x16, Hex Head
21	-----	1	WASHER, M6, Split Lock, MC
22	-----	1	WHEEL, Left, 1.75 X 8, Pewter
39	-----	1	WASHER, 6 X 18 X 1.5, Flat
0240	770059	1	KIT, WHEEL, RIGHT, PEWTER -(Incl. Ref. Nos. 19, 20, 21, 22.5 & 39)
19	-----	1	COVER, End, Wheel, Pewter
20	-----	1	BOLT, M6x16, Hex Head
21	-----	1	WASHER, M6, Split Lock, MC
22.5	-----	1	WHEEL, Right, 1.75 X 8, Pewter
39	-----	1	WASHER, 6 X 18 X 1.5, Flat
0250	709887	1	KIT, CHUTE MOISTURE COVER -(Incl. Ref. Nos. 57 & 59)
57	-----	1	COVER, Chute Moisture
59	723361	1	SCREW, #10-HL x 5/8, Hex Washer Head
0260	709891	1	KIT, TOP COVER -(Incl. Ref. Nos. 3, 24, 25, 27, 39, 55 & 95)
3	-----	1	NUT, M6, Lock
24	80078867	1	COVER, Top, Continuum Charcoal
25	-----	2	SCREW, M6x16, Hex Washer Head
27	-----	2	NUT, M6, CLIP
39	-----	1	WASHER, 6 X 18 X 1.5, Flat
55	7091081SM	2	SCREW, 1/4-15X3/4, Self-Tapping, BZ
95	-----	1	SCREW, M6x40, Hex Flange Head
0270	709896	1	KIT, DRIVE CASE COVER -(Incl. Ref. Nos. 25, 27 & 28)
25	-----	7	SCREW, M6x16, Hex Washer Head
27	-----	1	NUT, M6, CLIP
28	-----	1	COVER, Drive Case, Black
0280	709916	1	KIT, SIDE COVER, RIGHT -(Incl. Ref. Nos. 3, 25, 27, 39, 61, 95 & 97)
3	-----	1	NUT, M6, Lock
25	-----	2	SCREW, M6x16, Hex Washer Head
27	-----	2	NUT, M6, CLIP
39	-----	1	WASHER, 6 X 18 X 1.5, Flat
61	80080335	1	COVER, Side, Continuum Charcoal
95	-----	1	SCREW, M6x40, Hex Flange Head
97	-----	1	SCREW, M5x20, Knob, Self-Tapping

