



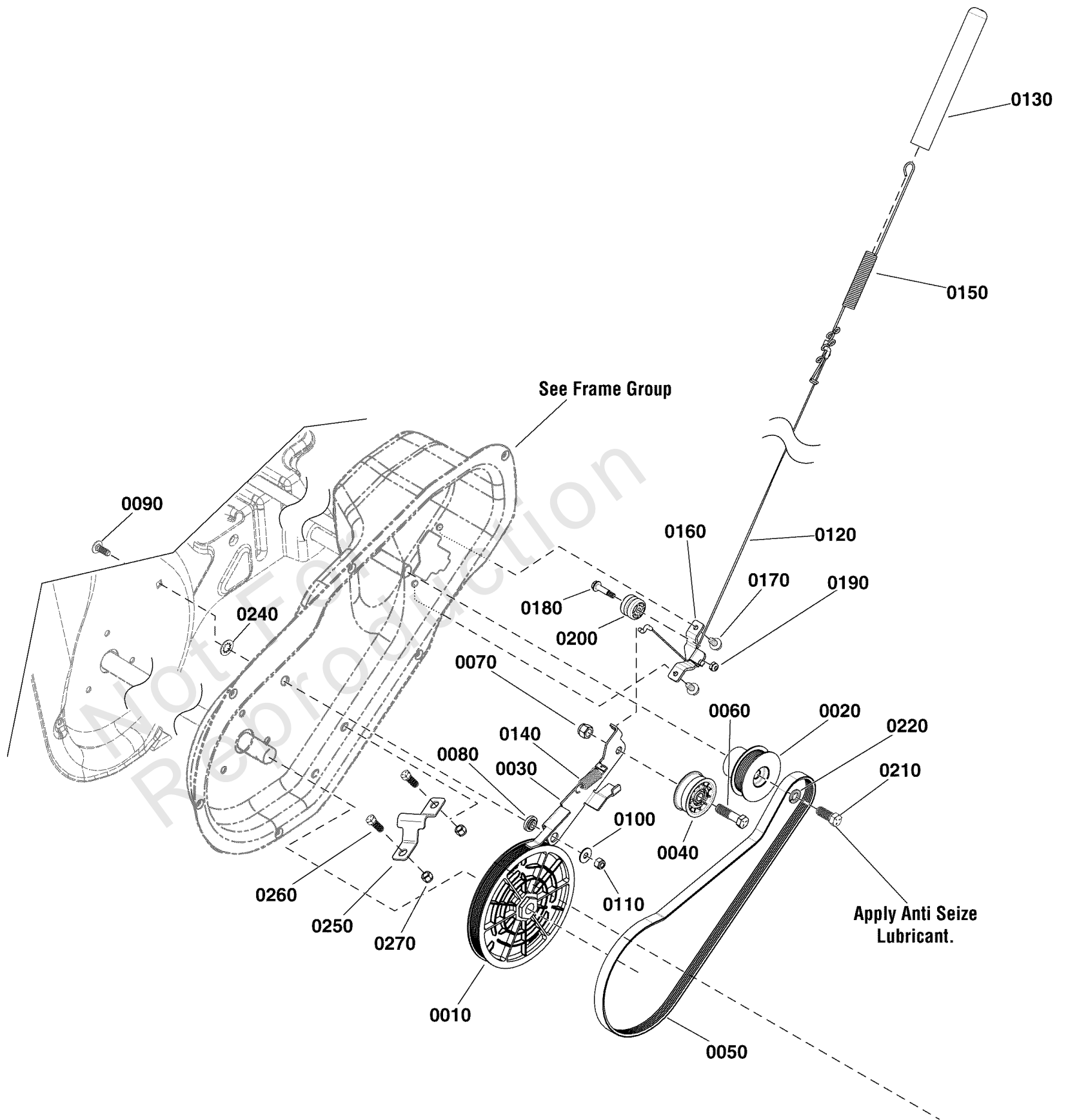
# Parts Manual

Mfg. No: 1696847-00  
1022EX, B&S 9.5 Gross TP 22" Single  
Stage Snowthrower (2018)

# Auger Drive Group

Note: Unless noted otherwise, use the standard torque specifications

Mfg. No: 1696847-00



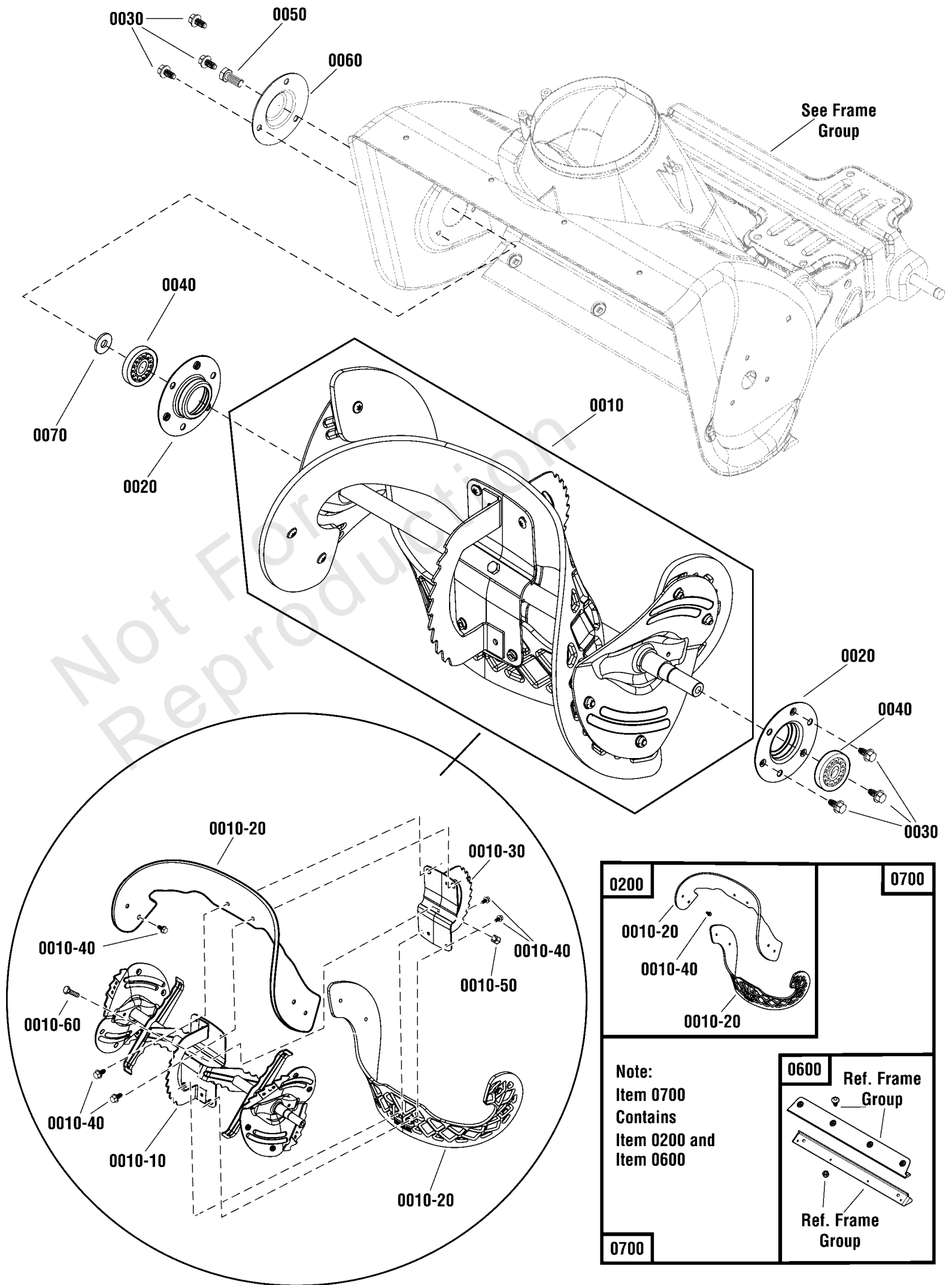
## Auger Drive Group

REF NO	PART NO	QTY	DESCRIPTION
0010	771019	1	PULLEY, Driven
0020	1739179YP	1	PULLEY, Driver
0030	771018	1	ARM, Idler, Drive
0040	1502120MA	1	IDLER, Plastic Ball Bearing
0050	1739338YP	1	BELT, Drive
0060	703406	1	CAPSCREW, Hex Head, 3/8-16 X 1 1/2, GR5
0070	703117	1	NUT, Hex, Nylock, 3/8-16, GR5
0080	1739709YP	1	SPACER, Idler Arm
0090	1931318SM	1	BOLT, Carriage, Short Neck, 1/4-20 x 7/8 G5
0100	7091253YP	1	WASHER, Flat, .281 X 3/4 x 1/2
0110	703232	1	NUT, Hex Lock, 1/4-20, ESNA
0120	727331	1	CABLE, Front Drive
0130	1739935YP	1	BOOT, Clutch Spring
0140	1750226YP	1	SPRING, Idler
0150	1750315YP	1	SPRING, Extension
0160	1750329YP	1	BRACKET, Cable Guide
0170	704130	2	SCREW, Hex Head, 1/4-20 X 1/2
0180	1750594YP	1	CAPSCREW, Hex Shoulder, 1/4 x 3/4
0190	703937	1	NUT, Ny Lock, #10-32
0200	579860MA	1	SPOOL CABLE, Auger Control
0210	001X20MA	1	CAPSCREW, Hex Head, 3/8-24 x 1
0220	703454	1	LOCKWASHER, Spring, 3/8
0240	703826	1	NUT, Nylock, 5/16-18
0250	771016	1	GUIDE, Belt -(Includes Ref .No. 0260 & 0270)
0260	703338	2	CAPSCREW, Hex Head, 1/4-20 x 5/8, GR5
0270	703232	2	NUT, Hex Lock, 1/4-20, ESNA

# Auger Group

Note: Unless noted otherwise, use the standard torque specifications

Mfg. No: 1696847-00



## Auger Group

REF NO	PART NO	QTY	DESCRIPTION
0010	1687814	1	AUGER ASSEMBLY, Complete -(Incl. Ref. Nos. 0010-10, 0010-20, 0010-30, 0010-40, 0010-50 & 0010-60)
0010-10	-----	1	* AUGER SHAFT ASSEMBLY
0010-20	-----	2	** FLIGHT, Auger -(Included with Ref. No. 0200)
0010-30	-----	2	* PLATE, Auger, Center
0010-40	770003	12	SCREW, Pan Head Torx, 1/4-20 x 3/4 -(Included with Ref. No. 0200)
0010-50	703232	1	NUT, Nylock, 1/4-20
0010-60	703234	1	CAPSCREW, Hex Head, 1/4-20 X 1 1/2, G5
0020	1739228YP	2	RETAINER, Bearing
0030	704130	6	SCREW, Hex Washer Head, Trilob, 1/4-20 x 1/2
0040	1705897SM	2	BEARING, Ball, 11/16 x 1-9/16 x 15/32
0050	704287	1	CAPSCREW, Hex Head, 5/16-18 x 3/4
0060	1739229AYP	1	CAP, BEARING
0070	703118	1	WASHER, Flat, 7/8 x 21/64
0200	1687804	1	KIT, AUGER FLIGHT -(Incl. Ref. Nos. 0030 & 0010-40)
0600	1687805	1	KIT, Scraper Bar -(Reference Frame group)
0700	1687806	1	KIT, Scraper Bar & Flight -(Incl. Ref. Nos. 0200 & 0600)

---

**Footnotes:**

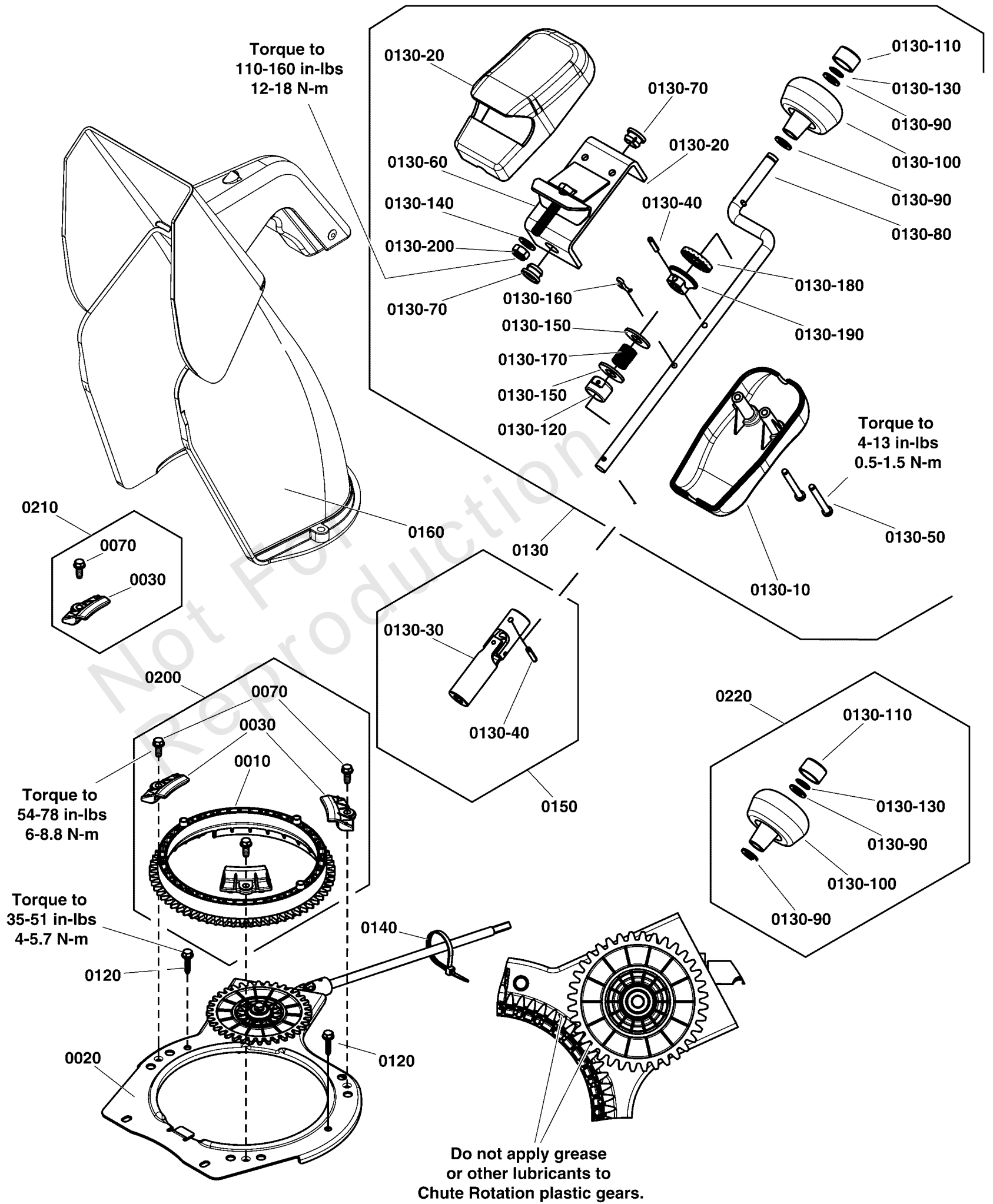
Note: \*\* Not a servicable part, order Auger Flight Kit.

Note: \* Not a servicable part, order complete Auger Assembly.

# Chute Rotation Group

Note: Unless noted otherwise, use the standard torque specifications

Mfg. No: 1696847-00



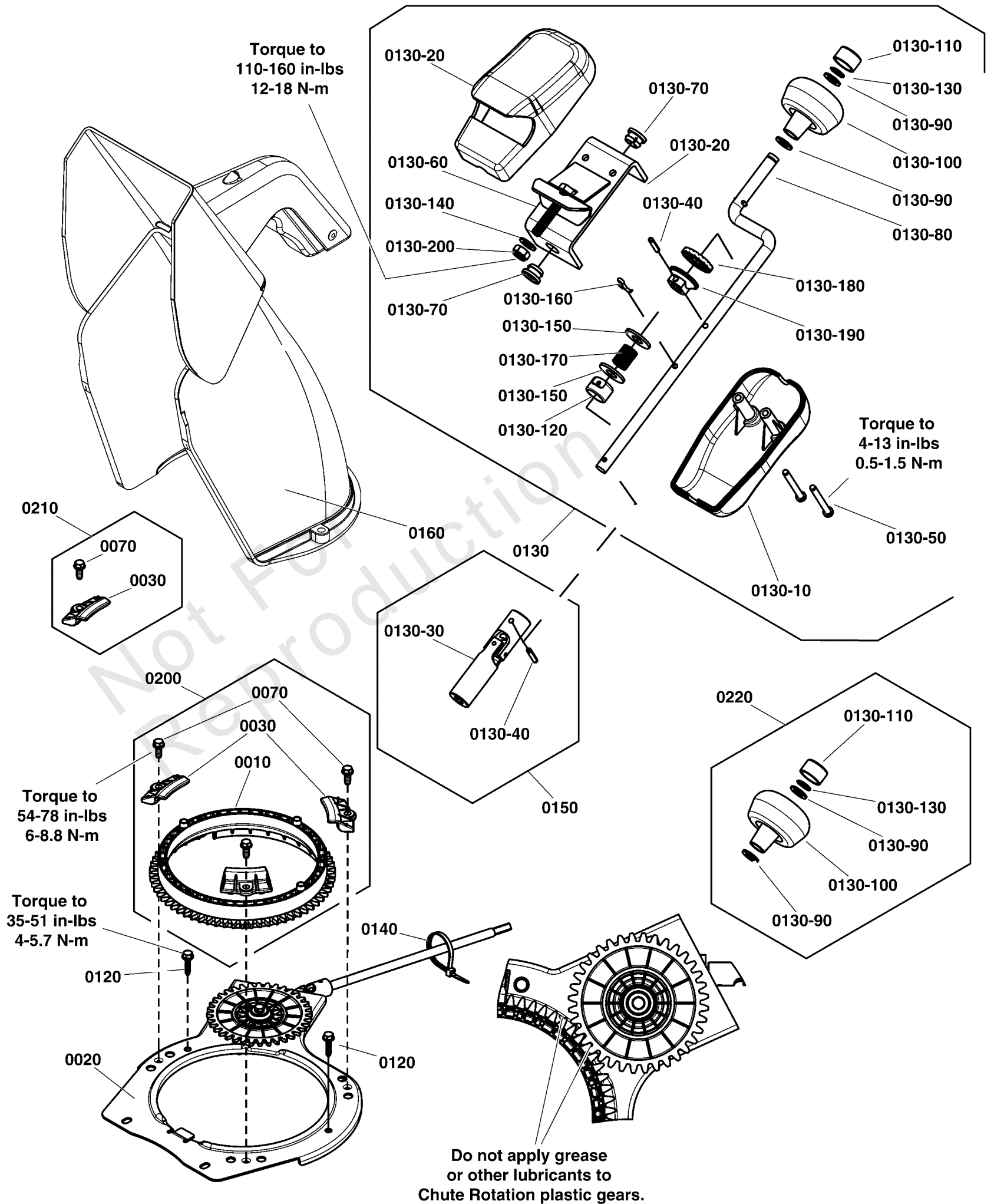
## Chute Rotation Group

REF NO	PART NO	QTY	DESCRIPTION
0020	770634	1	REMOTE CHUTE ASSEMBLY, Plate
0120	706516	2	SCREW, Hi-Low, 1/4-15 x 1
0130	770633	1	REMOTE CHUTE ASSEMBLY, Handle -(Incl. Ref. Nos. 130-10 Thru 0130-200)
0130-10	-----	1	COVER, Bottom -(Included with Ref. No. 0130)
0130-20	-----	1	COVER, Top -(Included with Ref. No. 0130)
0130-50	-----	2	SCREW, 4.8x45, Phillips Head Self Tapping -(Included with Ref. No. 0130)
0130-60	-----	1	ASSEMBLY, Rotater Bracket -(Included with Ref. No. 0130)
0130-70	-----	2	RING, SJ Mounting Plate, Plastic -(Included with Ref. No. 0130)
0130-80	-----	1	LEVER, Rotator -(Included with Ref. No. 0130)
0130-90	-----	2	WASHER, 10x20x1, Flat -(Included with Ref. No. 0130)
0130-100	-----	1	KNOB, Chute Rotator -(Included with Ref. No. 0130)
0130-110	-----	1	KNOB, Cover -(Included with Ref. No. 0130)
0130-120	-----	1	SLEEVE, Limit -(Included with Ref. No. 0130)
0130-130	-----	1	RING, External Retaining, 10 -(Included with Ref. No. 0130)
0130-140	-----	1	WASHER, FLAT, 8X16X1.2 -(Included with Ref. No. 0130)
0130-150	-----	2	WASHER, 10X25X2, Flat -(Included with Ref. No. 0130)
0130-160	-----	1	PIN, 2.5X16, Cotter -(Included with Ref. No. 0130)
0130-170	-----	1	SPRING -(Included with Ref. No. 0130)
0130-180	-----	1	WASHER, Rubber, XX -(Included with Ref. No. 0130)
0130-190	-----	1	BUSHING, Remote -(Included with Ref. No. 0130)
0130-200	-----	1	NUT, M8, Lock -(Included with Ref. No. 0130)
0140	1740650MA	4	TIE, Cable, 7.4", Orange
0150	770635	1	UNIVERSAL JOINT -(Incl. Ref. Nos. 0130-30 & 0130-40)
0130-30	-----	1	JOINT, Universal -(Included with Ref. No. 0150)
0130-40	-----	2	PIN, 4 X 20, Spring -(Included with Ref. No. 0150)
0160	709756	1	CHUTE ASSEMBLY, Quick
0200	709922	1	KIT, CHUTE GEAR -(Incl. Ref. Nos. 0010, 0030 & 0070)
0010	-----	1	GEAR, 65T, 8P, Driven, SS Chute Rotation -(Included with Ref. No. 0200)
0030	-----	3	RETAINER, Chute -(Included with Ref. No. 0200)
0070	703054	3	SCREW, Hex Washer Head, 1/4-20 x 5/8 -(Included with Ref. No. 0200)
0210	772082	3	KIT, Chute Retainer -(Incl. Ref. Nos. 0030 & 0070)
0030	-----	1	RETAINER, Chute -(Included with Ref. No. 0210)

# Chute Rotation Group

Note: Unless noted otherwise, use the standard torque specifications

Mfg. No: 1696847-00





## Chute Rotation Group

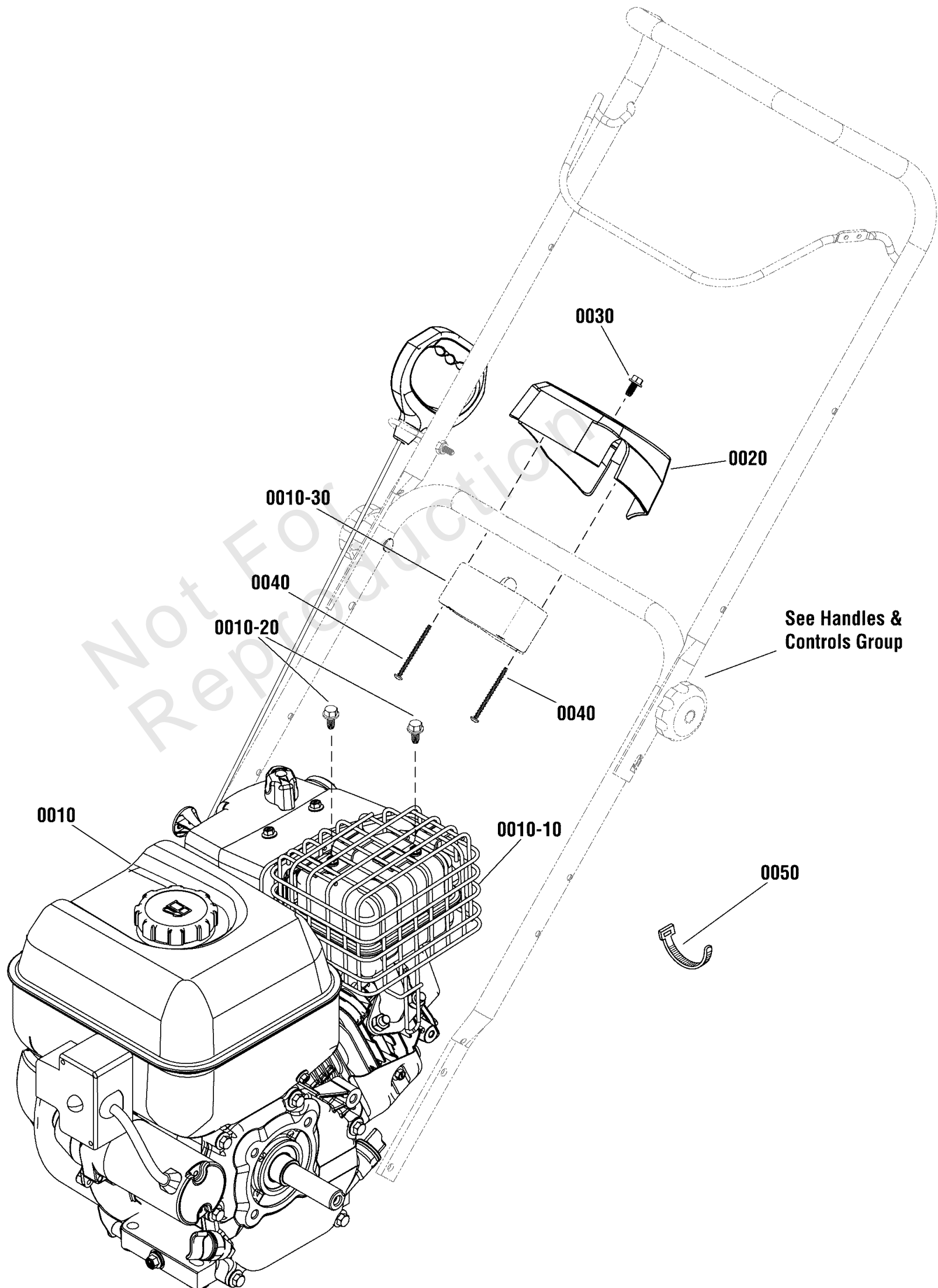
REF NO	PART NO	QTY	DESCRIPTION
0070	703054	1	SCREW, Hex Washer Head, 1/4-20 x 5/8 -(Included with Ref. No. 0210)
0220	707502	1	KIT, Chute Knob -(Incl. Ref. Nos. 0130-90, 0130-100, 0130-110 & 0130-130)
0130-90	-----	2	WASHER, 10x20x1, Flat -(Included with Ref. No. 0220)
0130-100	-----	1	KNOB, Chute Rotator -(Included with Ref. No. 0220)
0130-110	-----	1	KNOB, Cover -(Included with Ref. No. 0220)
0130-130	-----	1	RING, External Retaining, 10 -(Included with Ref. No. 0220)

Not For Reproduction

# Engine Group - 9.5 & 11.5GTP

Note: Unless noted otherwise, use the standard torque specifications

Mfg. No: 1696847-00



## Engine Group - 9.5 & 11.5GTP

REF NO	PART NO	QTY	DESCRIPTION
0010	13A132-0003-F1	1	ENGINE, Briggs & Stratton, 9.5 GTP, Snow Series -(Engine Model: 13A132-0003-F1) (Refer to Note: *)
0010	13A135-0002-F1	1	ENGINE, Briggs & Stratton, 9.5 GTP, Snow Series -(Engine Model: 13A135-0002-F1) (Refer to Note: *)
0010	15C107-0014-F8	1	* ENGINE, Briggs & Stratton, 11.5 GTP, 1150 Series -(Engine Model: 15C107-0014-F8) (Refer to Note: *)
0010-10	591443	1	GUARD, Muffler -(Used on 9.5GTP Models) (Refer to Note: *)
0010-10	799028	1	* GUARD, Muffler -(Used on 11.5GTP Models) (Refer to Note: *)
0010-20	590850	2	SCREW -(Used on 9.5GTP Models) (Refer to Note: *)
0010-20	699854	3	* SCREW, Muffler Guard -(Used on 11.5GTP Models) (Refer to Note: *)
0010-30	-----	1	* STARTER, 110V -(Refer to Note: *)
0020	1754873YP	1	HOUSING, Starter, 110V -(Used on 9.5GTP Electric Start Models)
0020	1750032YP	1	HOUSING, Starter, 110V -(Used on 11.5GTP Electric Start Models)
0030	704130	1	SCREW, Taptite, 1/4-20 x 1/2
0040	703066	2	SCREW, 8-16 x 2, Pan Head Phillips, Plast. -(Used on 9.5GTP Electric Start Models)
0040	1750593YP	2	SCREW, Pan Head Phillips, Plast., 8-16 x 2 -(Used on 11.5GTP Electric Start Models)
0050	7024641YP	4	WIRE TIE, 5.5" L

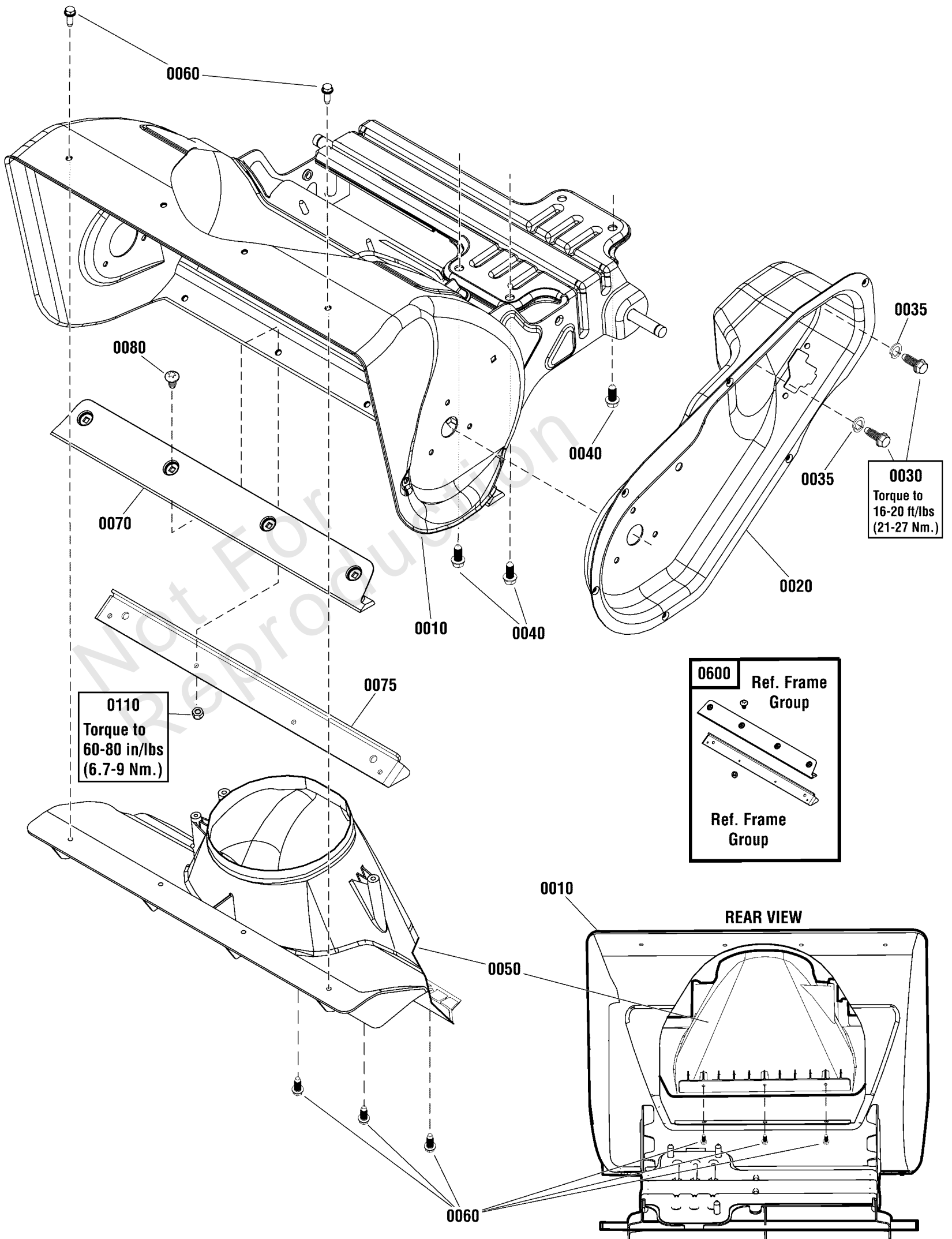
### Footnotes:

Note:\* To verify your specific engine model, please reference the ID Tag located on your engine. See your local Briggs & Stratton distributor for parts and service.

# Frame Group

Note: Unless noted otherwise, use the standard torque specifications

Mfg. No: 1696847-00



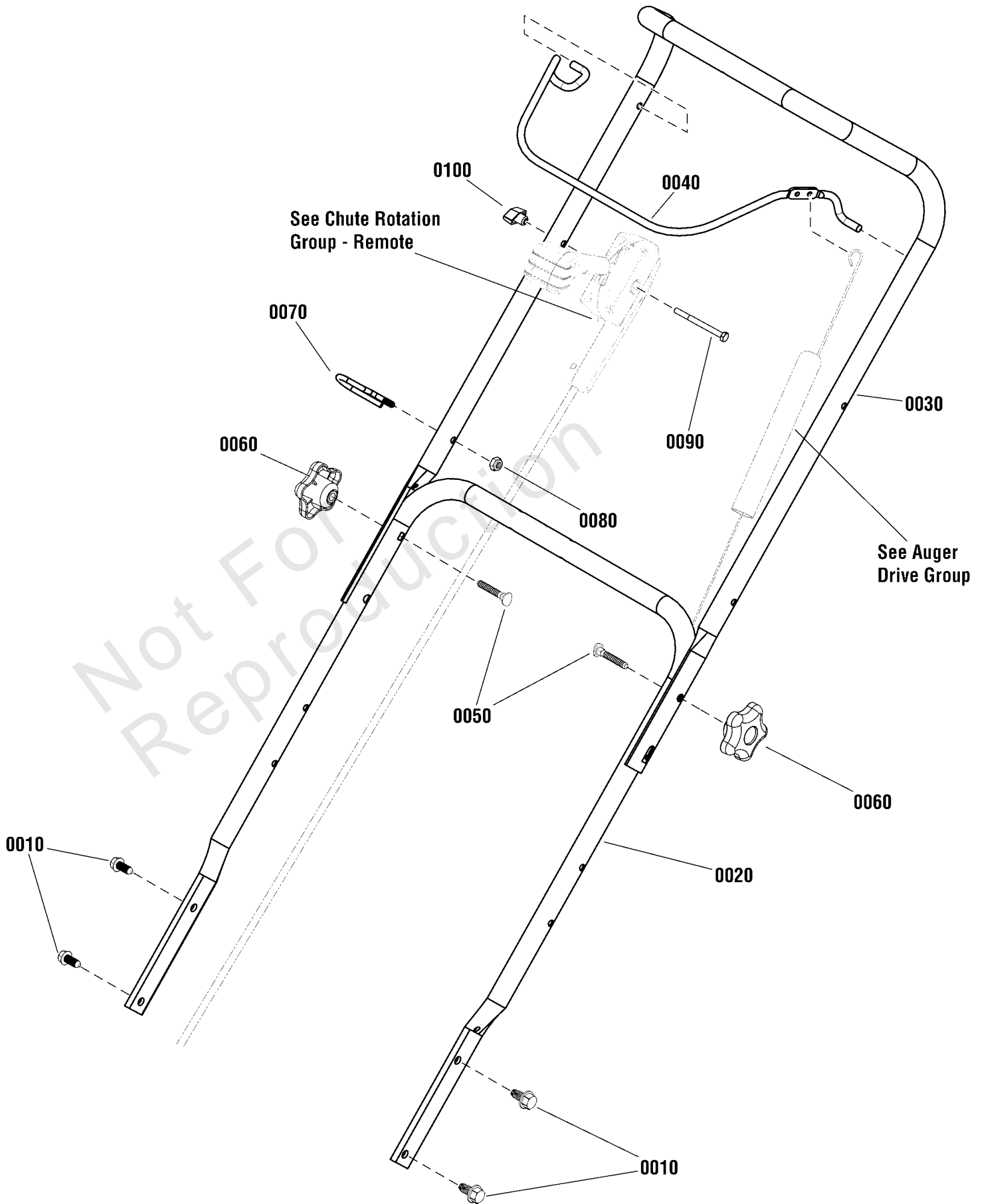
## Frame Group

REF NO	PART NO	QTY	DESCRIPTION
0010	1756280AYP	1	FRAME ASSEMBLY
0020	771017	1	HOUSING, Drive
0030	1752876YP	2	CAPSCREW, Hex Head, 5/16-24 x 5/8
0035	703116	2	WASHER, Lock, 5/16
0040	2828635SM	3	SCREW, Hex Washer Head, Taptite, 3/8-16 x 1-1/4
0050	707849	1	CHIMNEY
0060	7091081SM	5	SCREW, 1/4-15X3/4, Self-Tapping, BZ
0070	706358	1	SCRAPER BAR -(Included with Ref. No. 0600)
0075	-----	1	SUPPORT, Scraper Blade -(Included with Ref. No. 0600)
0080	5025299X5YP	4	SCREW, 1/4-20 X 5/8 -(Included with Ref. No. 0600)
0110	1752935YP	4	NUT, 1/4-20, Nylon Hex, CZ -(Included with Ref. No. 0600)
0600	1687805	1	KIT, Scraper Bar -(Includes Ref. Nos. 0070, 0075, 0080, 0110, Auger Flights & Hardware)

# Handles & Controls Group

Note: Unless noted otherwise, use the standard torque specifications

Mfg. No: 1696847-00



## Handles & Controls Group

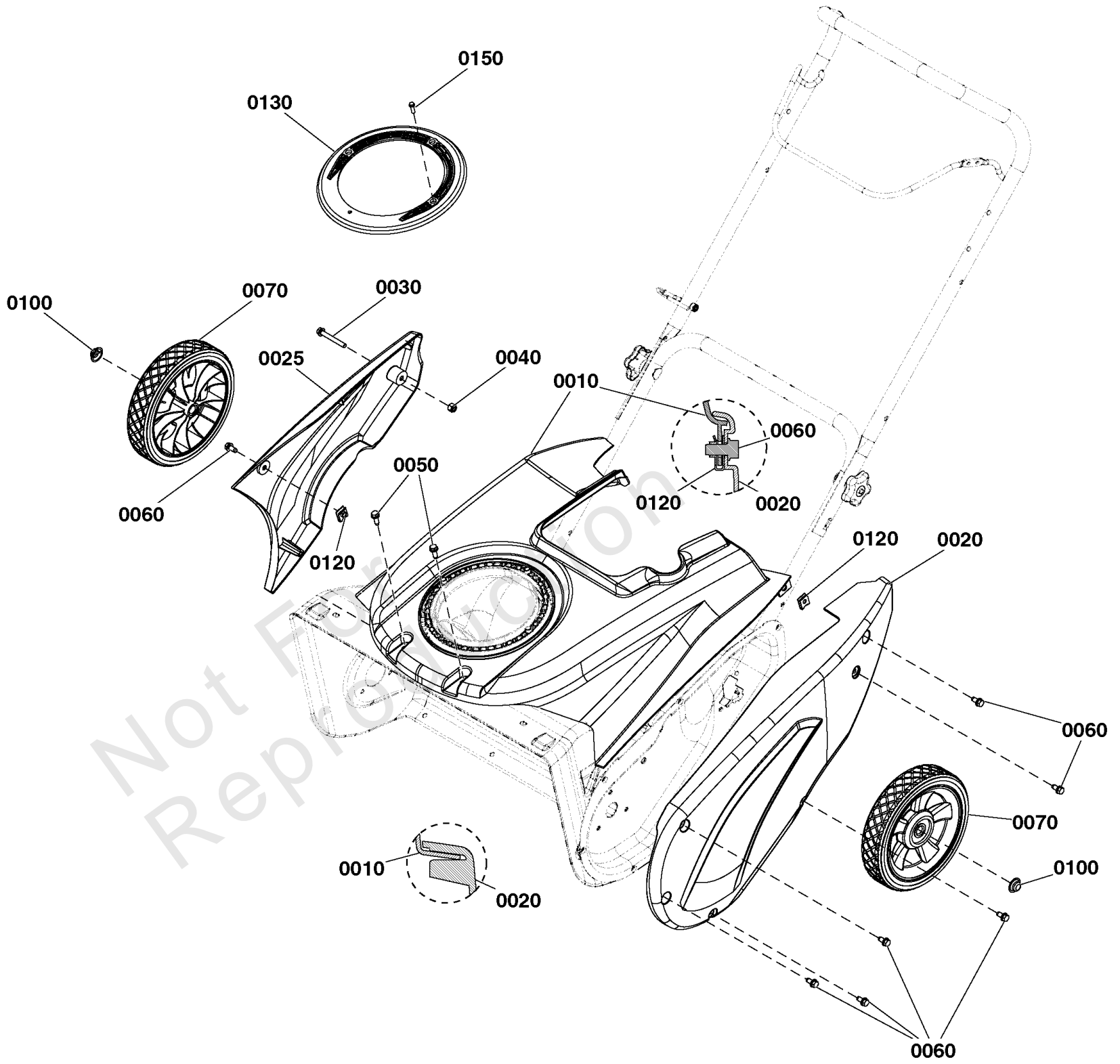
REF NO	PART NO	QTY	DESCRIPTION
0010	703949	4	SCREW, Hex Washer Head, Taptite, 5/16-18 x 5/8
0020	770051	1	HANDLEBAR, Lower
0030	705750	1	HANDLEBAR, Upper
0040	1739361BNYP	1	BAIL, Engine Stop
0050	703059	2	BOLT, Carriage, Curved Head, 5/16 x 2, G2
0060	7105085YP	2	KNOB, 5 Prong, 5/16-18
0070	1739389YP	1	GUIDE, Rope
0080	703232	1	NUT, 1/4
0090	704208	1	CAPSCREW, Hex Head, 1/4-20 x 3, G5 -(Remote Models Only)
0100	194289GS	1	KNOB, Handle -(Remote Models Only)

Not For Reproduction

# Wheel & Body Covering Group

Note: Unless noted otherwise, use the standard torque specifications

Mfg. No: 1696847-00





## Wheel & Body Covering Group

REF NO	PART NO	QTY	DESCRIPTION
0010	709891	1	KIT, TOP COVER -(Includes Ref. Nos. 0030, 0040, 0050)
0020	709896	1	KIT, DRIVE CASE COVER -(Includes Ref. Nos. 0060, 0120)
0025	709916	1	KIT, SIDE COVER, RIGHT -(Includes Ref. Nos. 0030, 0040, 0060, 0120)
0030	1750777YP	1	CAPSCREW, Hex Washer Head, 1/4 x 20 x 2
0040	703232	1	NUT, Hex Lock, 1/4-20, ESNA
0050	7091081SM	2	SCREW, 1/4-15X3/4, Self-Tapping, BZ
0060	704130	7	SCREW, Hex Head, 1/4-20 X 1/2
0070	311237YP	2	WHEEL, 2 x 8, Plastic 1/2, SILVER
0100	703179	2	PUSHNUT, 1/2
0120	770056	2	CLIP NUT
0130	709887	1	KIT, CHUTE MOISTURE COVER -(Includes Ref. Nos. 0150)
0150	316042MA	1	CAPSCREW, Hex Washer Head, #10-HL x 5/8

Not For Reproduction

