



Parts Manual

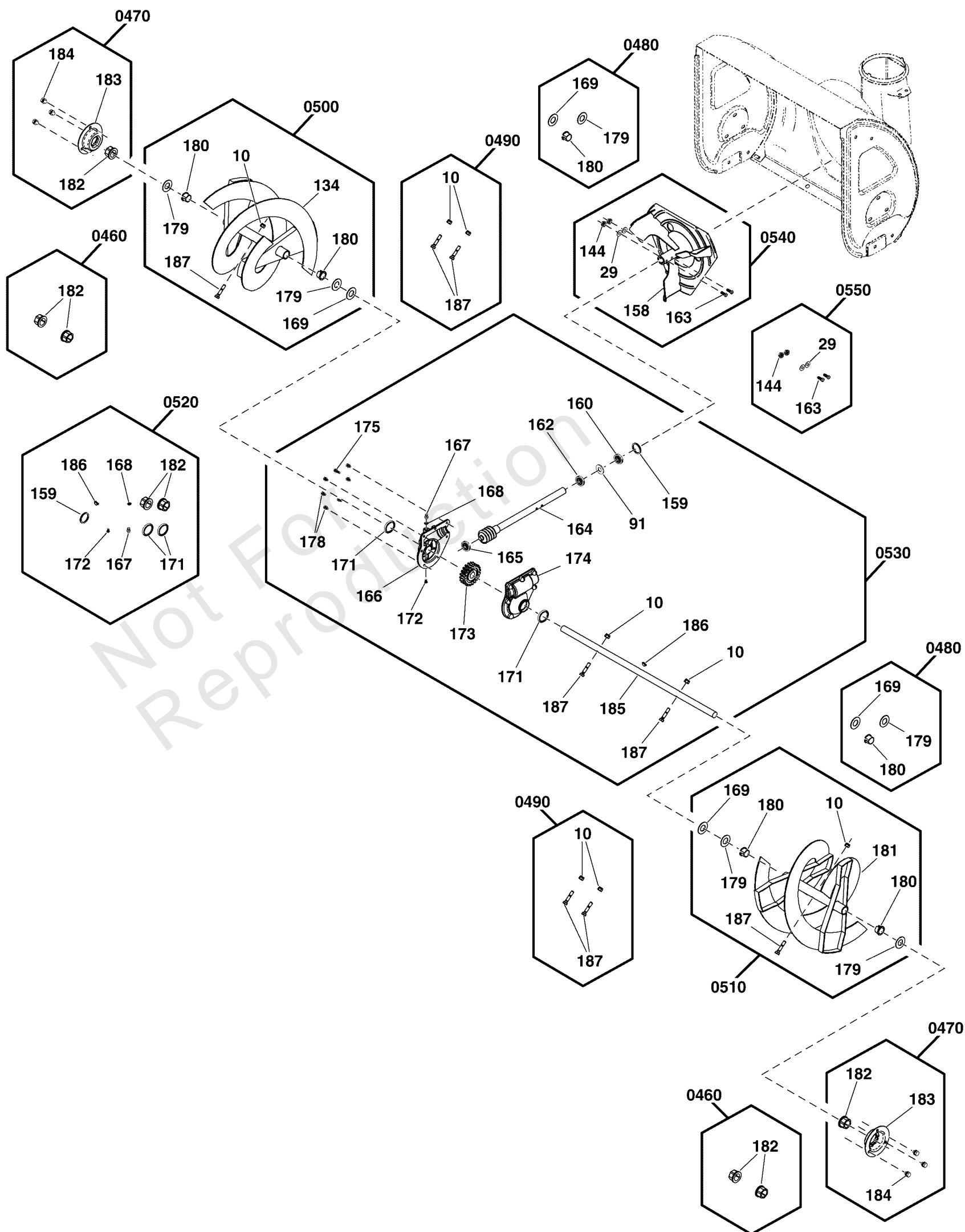
Mfg. No: 1696610-01
1024LD, B&S 9.5 Gross TP 24" Dual
Stage Snowthrower (2017)



Auger Drive Group

Note: Unless noted otherwise, use the standard torque specifications

Mfg. No: 1696610-01



Auger Drive Group

REF NO	PART NO	QTY	DESCRIPTION
0460	707755	2	KIT, BUSHING, AUGER -(Incl. Ref. No. 182)
182	-----	2	BEARING, Auger Shaft
0470	707824	2	KIT, MOUNTING PLATE, AUGER HOUSING -(Incl. Ref. Nos. 182, 183, 184)
182	-----	1	BEARING, Auger Shaft
183	-----	1	CAP, Bearing
184	-----	3	SCREW, Hex Head, M8 X 10
0480	707756	2	KIT, AUGER SHAFT HARDWARE -(Incl. Ref. Nos. 169, 179, 180)
169	-----	1	WASHER, Flat
179	-----	1	WASHER, Flat
180	-----	1	BEARING, Auger Shaft
0490	707555	2	KIT, SHEAR PIN, AUGER -(Incl. Ref. Nos. 10, 187)
10	-----	2	NUT, Lock, M8
187	-----	2	BOLT, Hex, M8 X 38
0500	707825	1	KIT, AUGER ASSEMBLY, RIGHT -(Incl. Ref. Nos. 10, 134, 169, 179, 180, 187)
10	-----	1	NUT, Lock, M8
134	-----	1	AUGER, 24", Right, Black
169	-----	1	WASHER, Flat
179	-----	2	WASHER, Flat
180	-----	2	BEARING, Auger Shaft
187	-----	1	BOLT, Hex, M8 X 38
0510	707826	1	KIT, AUGER ASSEMBLY, LEFT -(Incl. Ref. Nos. 10, 169, 179, 180, 181, 187)
10	-----	1	NUT, Lock, M8
169	-----	1	WASHER, Flat
179	-----	2	WASHER, Flat
180	-----	2	BEARING, Auger Shaft
181	-----	1	AUGER, 24", Left, Black
187	-----	1	BOLT, Hex, M8 X 38
0520	84001632	1	KIT, Seal, Gearbox -(Incl. Ref. Nos. 159, 167, 168, 171, 172, 182, 186)
159	-----	1	SEAL, Oil
167	-----	1	ZERK, Grease Fitting
168	-----	1	WASHER, Wave
171	-----	2	SEAL, Oil
172	-----	1	BOLT, Phillips Head, M5 X 10
182	-----	2	BEARING, Auger Shaft
186	-----	1	KEY, WOODRUFF
0530	84001626	1	KIT, Gear Box, Auger -(Incl. Ref. Nos. 10, 91, 159, 160, 162, 164, 165, 166, 167, 168, 171, 172, 173, 174, 175, 178, 185, 186, 187)
10	-----	2	NUT, Lock, M8
91	-----	1	WASHER, Flat
159	-----	1	SEAL, Oil
160	-----	1	BEARING
162	-----	1	BEARING
164	-----	1	SHAFT, Impeller Wormgear
165	-----	1	BEARING
166	-----	1	GEAR CASE, Right
167	-----	1	ZERK, Grease Fitting

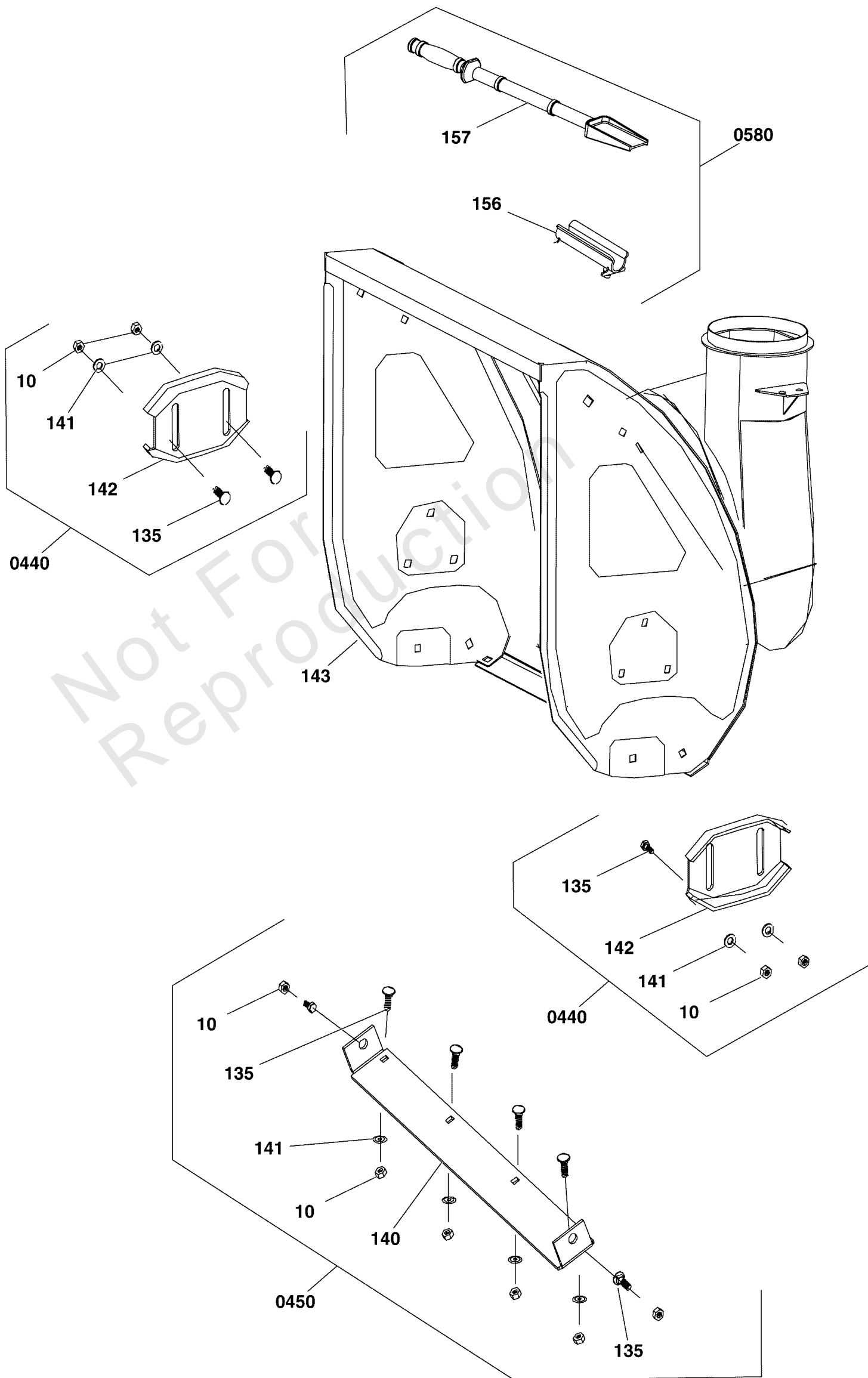
Auger Drive Group

REF NO	PART NO	QTY	DESCRIPTION
168	-----	1	WASHER, Wave
171	-----	2	SEAL, Oil
172	-----	1	BOLT, Phillips Head, M5 X 10
173	-----	1	GEAR, Worm
174	-----	1	GEAR CASE, Left
175	-----	1	BOLT, Hex, M6 X 25
178	-----	6	SCREW, Hex Head, M6 X 20
185	-----	1	SHAFT, Auger Out
186	-----	1	KEY, WOODRUFF
187	-----	2	BOLT, Hex, M8 X 38
0540	707828	1	KIT, IMPELLER ASSEMBLY -(Incl. Ref. Nos. 29, 144, 158, 163)
29	-----	2	WASHER, 6x12x.7, Flat
144	-----	2	NUT, Lock, M6
158	-----	1	IMPELLAR
163	-----	2	BOLT, Hex, M6 X 38
0550	707758	1	KIT, SHEAR PIN, IMPELLER -(Incl. Ref. Nos. 29, 144, 163)
29	-----	2	WASHER, 6x12x.7, Flat
144	-----	2	NUT, Lock, M6
163	-----	2	BOLT, Hex, M6 X 38

Auger Housing Group

Note: Unless noted otherwise, use the standard torque specifications

Mfg. No: 1696610-01



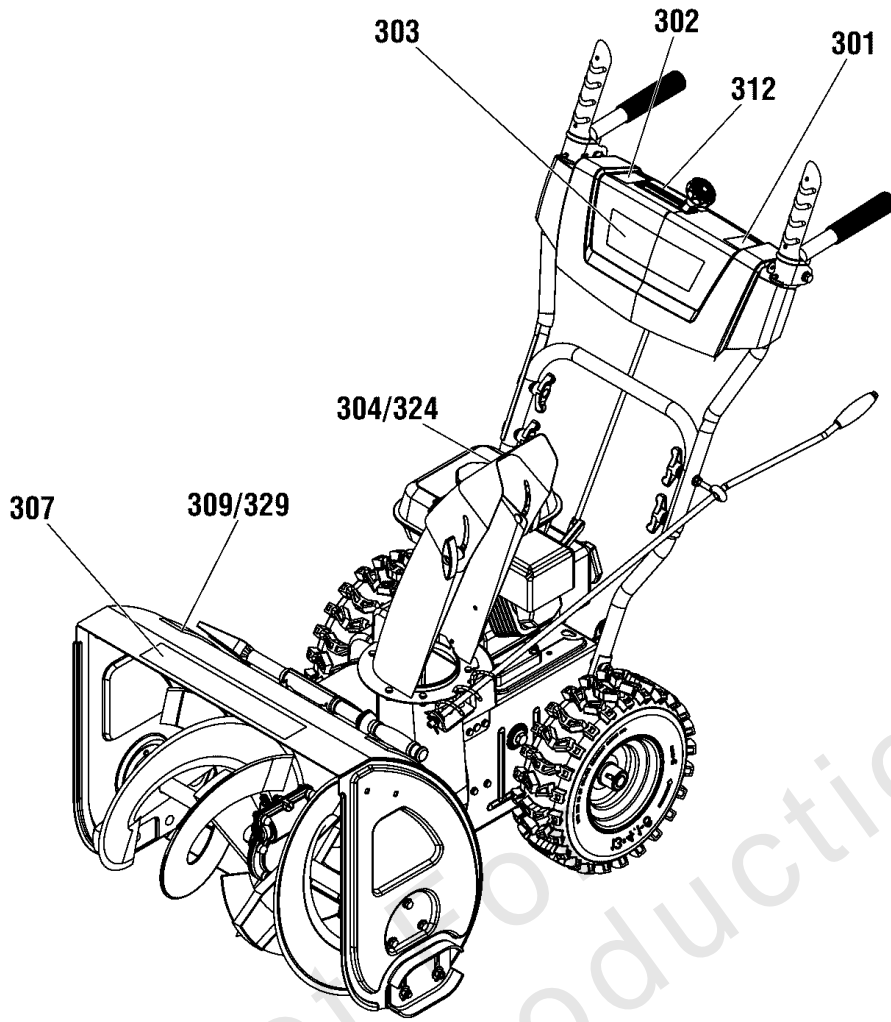
Auger Housing Group

REF NO	PART NO	QTY	DESCRIPTION
143	-----	1	AUGER HOUSING -(Refer to Note:*)
0440	707550	1	KIT, SKID SHOE -(Incl. Ref. Nos. 10, 135, 141, 142)
10	-----	4	*Lock nut, Hex Head, non-metal
135	-----	4	*square Neck bolt, Cup head
141	-----	4	*Flat Washer
142	-----	2	*Skid shoe
0450	707754	1	KIT, SCRAPER BAR -(Incl. Ref. Nos. 10, 135, 140 & 141)
10	-----	6	*Lock nut, Hex Head, non-metal
135	-----	6	*square Neck bolt, Cup head
140	-----	1	*Housing Scrapper Bar
141	-----	6	*Flat Washer
0580	707549	1	KIT, CLEANOUT BRUSH STICK -(Incl. Ref. Nos. 156 & 157)
156	-----	1	*Shovel Base
157	-----	1	*Plastic Shovel

Not For
Reproduction

Footnotes:

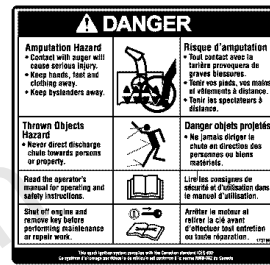
Note:* Not a serviceable part.



304



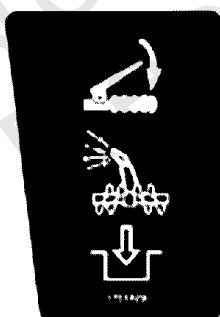
324



309



329



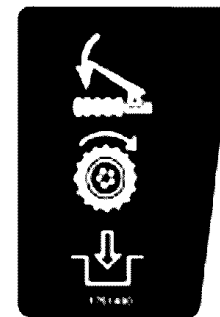
301



312



303



302



307

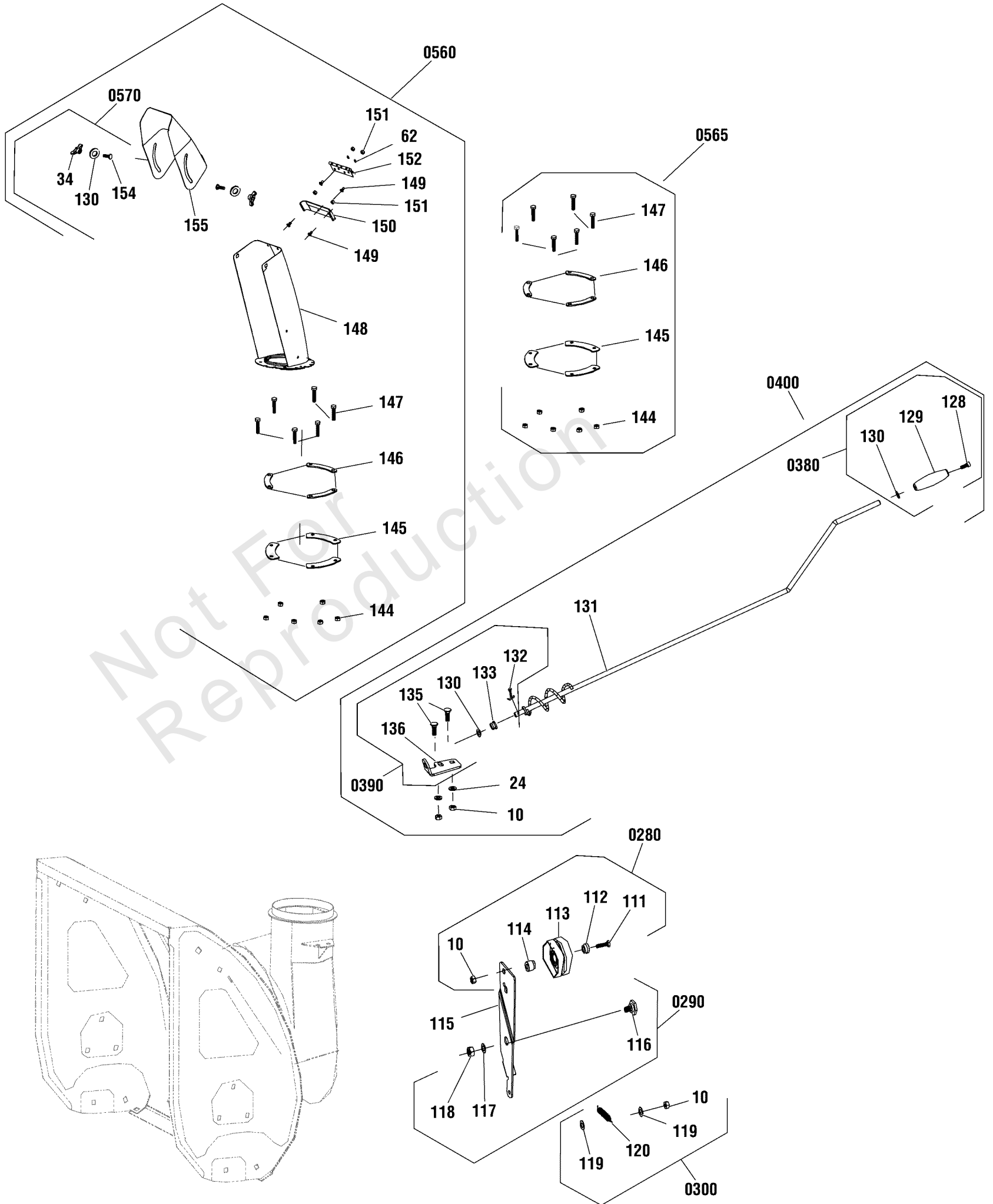
Decals Group (6965YBSdecal)

REF NO	PART NO	QTY	DESCRIPTION
1	707878	1	KIT-DECAL, Briggs -(Incl. Ref. No. 301, 302, 303, 304, 307, 309 & 312)
2	707881	1	KIT-DECAL, Briggs 1024LD, Export -(Incl. Ref. No. 301, 302, 303, 307, 312, 324 & 329)
301	-----	1	DECAL, Auger Control
302	-----	1	DECAL, Traction Control
303	-----	1	DECAL, Control Panel, Briggs & Stratton
304	1737865YP	1	DECAL, Danger Chute -(Included with Ref. No. 1)
307	-----	1	DECAL, Auger Housing, 1024
309	1737866YP	1	DECAL, Danger Foot -(Included with Ref. No. 1)
312	-----	1	DECAL, 1-6 Transmission Speed Control
324	1727207SM	1	DECAL, Chute Warning, Export -(Included with Ref. No. 2)
329	1737867YP	1	DECAL, Danger Auger Icons, Export -(Included with Ref. No. 2)

Discharge Chute Group

Note: Unless noted otherwise, use the standard torque specifications

Mfg. No: 1696610-01



Discharge Chute Group

REF NO	PART NO	QTY	DESCRIPTION
115	-----	1	IDLER, Auger -(Refer to Note:*)
0280	707566	1	KIT-IDLER PULLEY, TENSION PLATE -(Incl. Ref. No. 10, 111, 112, 113, 114)
10	-----	1	NUT, Lock, M8
111	-----	1	SCREW, Hex Head, M8 X 45
112	-----	1	SPACER, Idler Pulley
113	-----	1	PULLEY, Idler
114	-----	1	SPACER, Sleeve, Idler Pulley
0290	707565	1	KIT-HARDWARE, IDLER BRACKET -(Incl. Ref. No. 116, 117, 118)
116	-----	1	SCREW, Hex Head, M10 X 13
117	-----	1	WASHER, Flat, 10 X 20 X 2
118	-----	1	NUT, Lock, M10
0300	707841	1	KIT-SPRING, IDLER PULLEY -(Incl. Ref. No. 10, 119, 120)
10	-----	1	NUT, Lock, M8
119	-----	2	WASHER, FLAT, 8X16X1.2
120	-----	1	SPRING, Idler
0380	707820	1	KIT-HANDLE, CHUTE ROD -(Incl. Ref. No. 128, 129, 130)
128	-----	1	HEX SCREW, Flange, M6X10
129	-----	1	HANDLE, Barrel, LD
130	-----	2	WASHER, Flat, 10 X 20 X 2
0390	707821	1	KIT-MOUNTING PLATE, CHUTE ROTATION -(Incl. Ref. No. 10, 24, 130, 132, 133, 135, 136)
10	-----	2	NUT, Lock, M8
24	-----	2	WASHER, 8x22x2, Flat
130	-----	1	WASHER, Flat, 10 X 20 X 2
132	-----	1	PIN, Cotter, 2.2X25
133	-----	1	RING, SJ Mounting Plate, Plastic
135	-----	2	BOLT, Carriage, M8X20
136	-----	1	BRACKET, Chute Rod, LD
0400	707822	1	KIT-CHUTE ROTATION -(Incl. Ref. No. 10, 24, 128, 129, 130, 131, 132, 133, 135, 136)
10	-----	2	NUT, Lock, M8
24	-----	2	WASHER, 8x22x2, Flat
128	-----	1	HEX SCREW, Flange, M6X10
129	-----	1	HANDLE, Barrel, LD
130	-----	2	WASHER, Flat, 10 X 20 X 2
131	-----	1	ROD, Crank, LD
132	-----	1	PIN, Cotter, 2.2X25
133	-----	1	RING, SJ Mounting Plate, Plastic
135	-----	2	BOLT, Carriage, M8X20
136	-----	1	BRACKET, Chute Rod, LD
0560	707831	1	KIT-CHUTE ASSEMBLY, BLACK, NA -(Incl. Ref. No. 34, 62, 130, 144, 145, 146, 147, 148, 149, 150, 151, 152, 154, 155, 304)
34	-----	2	KNOB, Wing, M8
62	-----	2	WASHER, 6x12x.7, Flat
130	-----	2	WASHER, Flat, 10 X 20 X 2

Footnotes:

Note:* Not a serviceable part.

Discharge Chute Group

REF NO	PART NO	QTY	DESCRIPTION
148	-----	1	WELDMENT, Chute, LD
149	-----	4	BOLT, Phillips Head, M6X10
150	-----	1	GASKET, Chute Deflector, LD
151	-----	4	NUT, Lock, M6
152	-----	1	HINGE, Chute
154	-----	2	BOLT, Carriage, M8 X 25
155	-----	1	WELDMENT, Chute Deflector, LD
304	1737865YP	1	DECAL, Danger Chute Warning, FR/ENG -(Not Illustrated)
0565	84002370	1	KIT, Hardware, Chute Rotation -(Incl. Ref. No. 144, 145, 146, 147)
144	-----	8	NUT, Lock, M6
145	-----	3	PLATE, Chute Mounting, LD
146	-----	3	GASKET, Chute Mounting, LD
147	-----	6	SCREW, Hex Head, M6X16
0570	707759	2	KIT-WING KNOB, CHUTE -(Incl. Ref. No. 34, 130, 154)
34	-----	1	KNOB, Wing, M8
130	-----	1	WASHER, Flat, 10 X 20 X 2
154	-----	1	BOLT, Carriage, M8 X 25

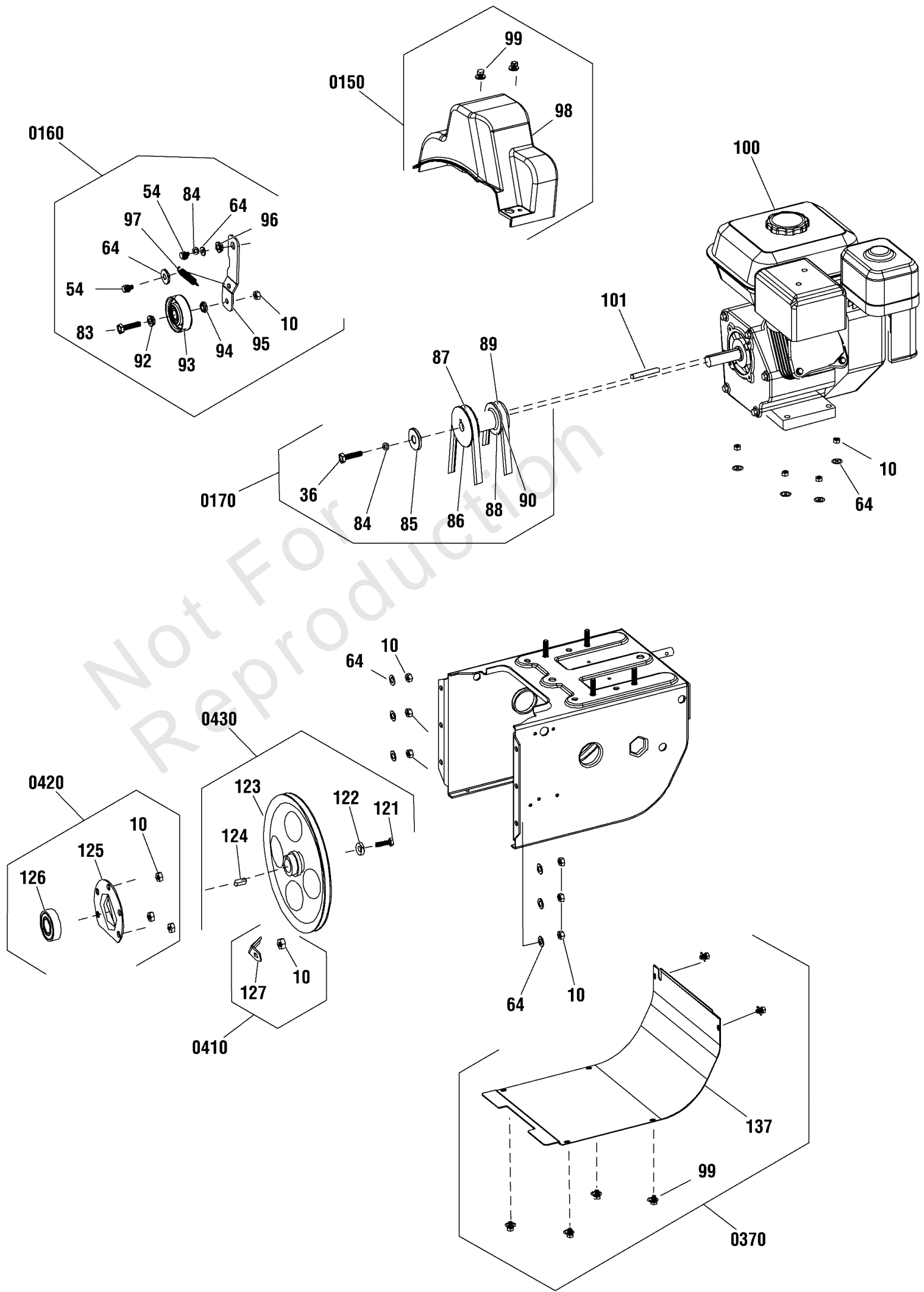
Footnotes:

Note:* Not a serviceable part.

Engine & Frame Group

Note: Unless noted otherwise, use the standard torque specifications

Mfg. No: 1696610-01



Engine & Frame Group

REF NO	PART NO	QTY	DESCRIPTION
87	707584	1	BELT, Auger Drive
89	707585	1	BELT, Traction Drive
100	13A137-0004-F1	1	**ENGINE, 9.5 Gross TP Briggs & Stratton -(Engine Model: 13A137-0004-F1) (Refer to Note: *)
101	84004762	1	KEY, Flat, 5 X 4.7 X 50
0150	707810	1	KIT, BELT COVER -(Incl. Ref. Nos. 98, 99)
98	-----	1	COVER, Belt
99	-----	2	SCREW, Hex Head W/ Flat Washer, M6 X 12
0160	707836	1	KIT, IDLER PULLEY, TRACTION DRIVE -(Incl. Ref. Nos. 10, 54, 64, 83, 84, 92, 93, 94, 95, 96, 97)
10	-----	1	NUT, Lock, M8
54	-----	2	SCREW, Hex Flange Head, M8 X 20
64	-----	2	WASHER, 6x12x.7, Flat
83	-----	1	SCREW, Hex Head, M8 X 30
84	-----	1	WASHER, M10, Split Lock
92	-----	1	SPACER, Idler Pulley
93	-----	1	PULLEY, Idler
94	-----	1	SPACER, Idler Pulley
95	-----	1	BRACKET, Idler
96	-----	1	SPACER, Idler Plate, Small
97	-----	1	SPRING, Idler
0170	770117	1	KIT, ENGINE PULLEY -(Incl. Ref. Nos. 36, 84, 85, 86, 88, 90)
36	-----	1	SCREW, Hex Head, M10 X 30
84	-----	3	WASHER, M10, Split Lock
85	-----	1	WASHER, Flat, 8 X 28 X 3
86	-----	1	PULLEY, Auger
88	-----	1	SPACER, Belt Wheel
90	-----	1	PULLEY, Drive
0370	707542	1	KIT, Bottom Cover -(Incl. Ref. Nos. 99, 137)
99	-----	6	SCREW, Hex Head W/ Flat Washer, M6 X 12
137	-----	1	COVER, Motor Box, Lower
0410	707547	1	KIT, BELT GUIDE, AUGER -(Incl. Ref. Nos. 10, 127)
10	-----	1	NUT, Lock, M8
127	-----	1	GUIDE, Belt
0420	707548	1	KIT, BEARING HARDWARE, AUGER PULLEY -(Incl. Ref. Nos. 10, 125, 126)
10	-----	3	NUT, Lock, M8
125	-----	1	RETAINER, Ball Bearing
126	-----	1	BEARING, Ball
0430	707823	1	KIT, AUGER PULLEY -(Incl. Ref. Nos. 121, 122, 123, 124)
121	-----	1	SCREW, Hex Head, M8X20
122	-----	1	WASHER, Flat, 8 X 28 X 2
123	-----	1	PULLEY, Driven
124	-----	1	KEY, Flat, 6 X 6 X 17
--	6219MA	1	CORD, Electric, 10FT. 110V -(Not Illustrated)

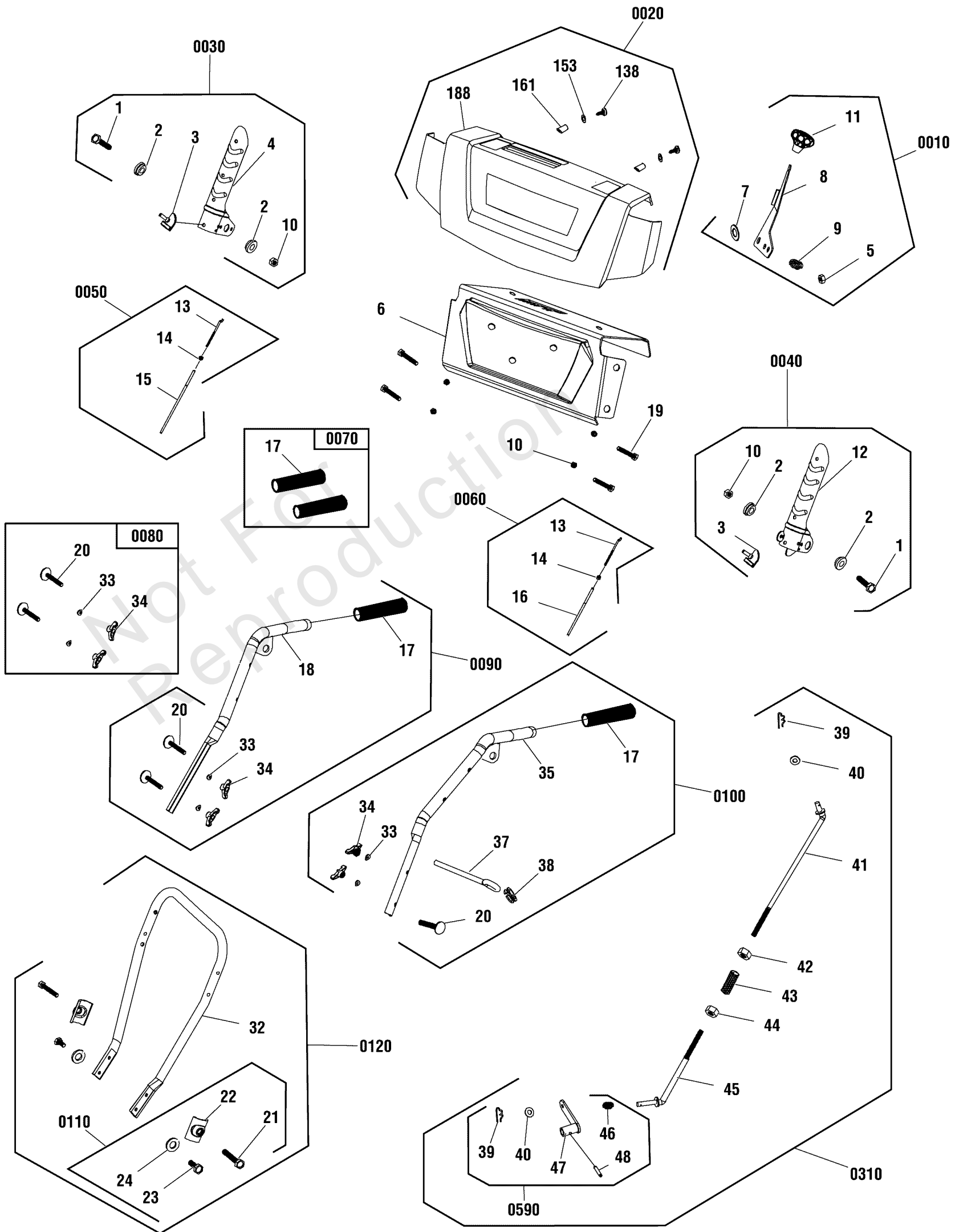
Footnotes:

Note:* Refer to your local Briggs & Stratton distributor for parts and service.

Handles & Controls Group

Note: Unless noted otherwise, use the standard torque specifications

Mfg. No: 1696610-01



Handles & Controls Group

REF NO	PART NO	QTY	DESCRIPTION
0010	707794	1	KIT, LEVER, SPEED -(Incl. Ref. Nos. 5, 7, 8, 9, 11)
5	-----	1	*NUT, Lock, Hex Head, non-metal
7	-----	1	*WASHER, Flat
8	-----	1	*LEVER, Speed Control
9	-----	1	*SPRING, Speed Control
11	-----	1	*KNOB, Speed Control Lever
0020	707796	1	KIT, DASH, BRIGGS -(Incl. Ref. Nos. 138, 153, 161, 188, 301, 302, 303, 312)
138	-----	4	*BOLT, Phill head
153	-----	4	*WASHER, Flat
161	-----	4	*BUCKLE, Lamp
188	-----	1	*PANEL, Dash
301	-----	1	*DECAL, Auger Control -(Not Illustrated) (Reference Decals Group)
302	-----	1	*DECAL, Traction Control -(Not Illustrated) (Reference Decals Group)
303	-----	1	*DECAL, Control Panel, Briggs & Stratton -(Not Illustrated) (Reference Decals Group)
312	-----	1	*DECAL, 1-6 Transmission Speed Control -(Not Illustrated) (Reference Decals Group)
0030	707800	1	KIT, RIGHT HAND LEVER, TRACTION DRIVE -(Incl. Ref. Nos. 1, 2, 3, 4, 10)
1	-----	1	*SCREW, Hex head
2	-----	2	*PAD, small tensioning plate
3	-----	1	*CAP, Rubber
4	-----	1	*LEVER, Traction drive engagement
10	-----	1	*NUT, Lock, Hex Head, non-metal
0040	707802	1	KIT, LEFT HAND LEVER, AUGER DRIVE -(Incl. Ref. Nos. 1, 2, 3, 10, 12)
1	-----	1	*SCREW, Hex head
2	-----	2	*PAD, small tensioning plate
3	-----	1	*CAP, Rubber
10	-----	1	*NUT, Lock, Hex Head, non-metal
12	-----	1	*LEVER, Auger engagement
0050	707766	1	KIT, CABLE, TRACTION DRIVE -(Incl. Ref. Nos. 13, 14, 15)
13	-----	1	*ROD, Steel
14	-----	1	*NUT, Copper
15	-----	1	*ROD, Steel
0060	707803	1	KIT, Cable, Auger Drive -(Incl. Ref. Nos. 13, 14, 16)
13	-----	1	*ROD, Steel
14	-----	1	*NUT, Copper
16	-----	1	*ROD, Steel
0070	770080	1	KIT, Grip, Handle -(Incl. Ref. No. 17)
17	-----	2	*GRIP
0080	707835	1	KIT, UPPER HANDLE HARDWARE -(Incl. Ref. Nos. 20, 33, 34)
20	-----	2	*BOLT, Blade
33	-----	2	*WASHER, Blade
34	-----	2	*KNOB
0090	770115	1	KIT, UPPER HANDLE, RIGHT -(Incl. Ref. Nos. 17, 18, 20, 33, 34)

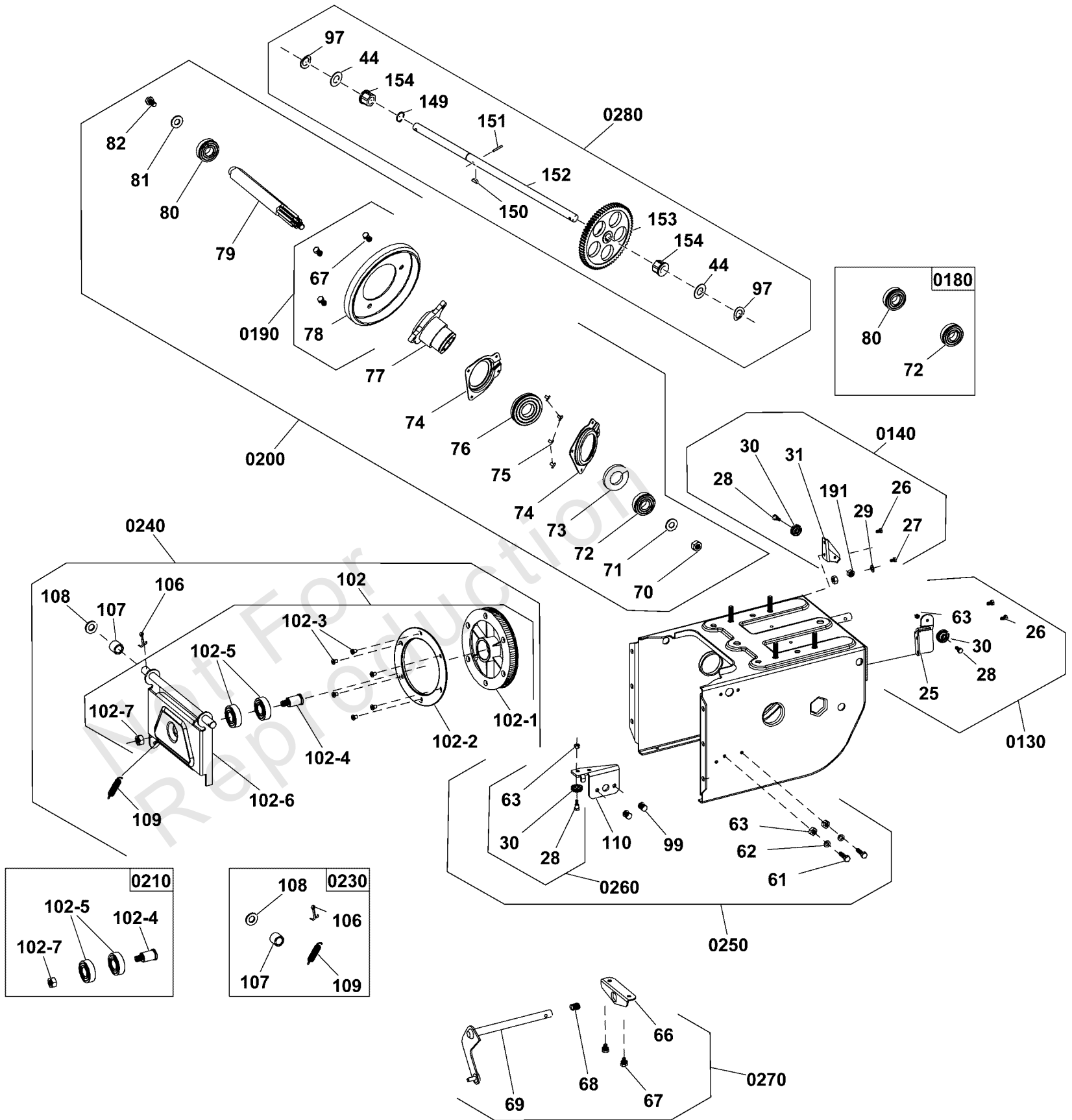
Handles & Controls Group

REF NO	PART NO	QTY	DESCRIPTION
17	-----	1	*GRIP
18	-----	1	*HANDLE, Right Upper
20	-----	2	*BOLT, Blade
33	-----	2	*WASHER, Blade
34	-----	2	*KNOB
0100	770116	1	KIT, UPPER HANDLE, LEFT -(Incl. Ref. Nos. 17, 20, 33, 34, 35, 37, 38)
17	-----	1	*GRIP
20	-----	1	*BOLT, Blade
33	-----	2	*WASHER, Blade
34	-----	2	*KNOB
35	-----	1	*HANDLE, Left Upper
37	-----	1	*ROD, Chute Rotator
38	-----	1	*RING, Rubber, Chute Rotator Rod
0110	707806	1	KIT, LOWER HANDLE HARDWARE -(Incl. Ref. Nos. 21, 22, 23, 24)
21	-----	2	*SCREW, Hex head
22	-----	2	*WASHER
23	-----	2	*SCREW, Hex head
24	-----	2	*WASHER, Flat
0120	707807	1	KIT, LOWER HANDLE -(Incl. Ref. Nos. 21, 22, 23, 24, 32)
21	-----	2	*SCREW, Hex head
22	-----	2	*WASHER
23	-----	2	*SCREW, Hex head
24	-----	2	*WASHER, Flat
32	-----	1	*HANDLE, Lower
0310	707818	1	KIT, SHIFT ROD -(Incl. Ref. Nos. 39, 40, 41, 42, 43, 44, 45, 46, 47, 48)
39	-----	2	*PIN
40	-----	2	*WASHER, Flat
41	-----	1	*ROD, Upper, Speed Control
42	-----	1	*SCREW, Hex head
43	-----	1	*SLEEVE, Regulating, Drive Rod
44	-----	1	*NUT, Hex head
45	-----	1	*ROD, Upper, Speed Control
46	-----	1	*SPRING, Regulating
47	-----	1	*ARM, Shift Fork
48	-----	1	*PIN, Spring
0590	709539	1	KIT, SHIFT ROD HARDWARE -(Incl. Ref. Nos. 39, 40, 41, 46, 47, 48)
39	-----	1	*PIN
40	-----	1	*WASHER, Flat
46	-----	1	*SPRING, Regulating
47	-----	1	*ARM, Shift Fork
48	-----	1	*PIN, Spring

Traction Drive Group

Note: Unless noted otherwise, use the standard torque specifications

Mfg. No: 1696610-01



Traction Drive Group

REF NO	PART NO	QTY	DESCRIPTION
0130	707808	1	KIT, CABLE BASE, AUGER DRIVE -(Incl. Ref. Nos. 25, 26, 28, 30, 63)
25	-----	1	BRACKET, Cable Guide, Auger Control
26	-----	2	SCREW, Hex Head W/ Flat Washer, M6 X 12
28	-----	1	SCREW, M6 X 12, Hex Head Shoulder
30	-----	1	PULLEY, Cable
63	-----	1	NUT, HEX FLANGE HEAD, M6
0140	707809	1	KIT, CABLE BASE, TRACTION DRIVE -(Incl. Ref. Nos. 26, 27, 28, 29, 30, 31, 191)
26	-----	1	SCREW, Hex Head W/ Flat Washer, M6 X 12
27	-----	1	SCREW, Hex Head, M6X16
28	-----	1	SCREW, M6 X 12, Hex Head Shoulder
29	-----	1	WASHER, 6x12x.7, Flat
30	-----	1	PULLEY, Cable
31	-----	1	BRACKET, Cable Guide, Traction Control
191	-----	2	NUT, Lock, M6
0180	707839	1	KIT, BEARING, FRICTION WHEEL -(Incl. Ref. No. 72, 80)
72	-----	1	BEARING, Ball
80	-----	1	BEARING, Ball
0190	707840	1	KIT, FRICTION WHEEL -(Incl. Ref. Nos. 67, 78)
67	-----	3	SCREW, Hex Head W/ Flat Washer, M6 X 12
78	-----	1	WHEEL, Friction
0200	707811	1	KIT, FRICTION WHEEL AND SHAFT -(Incl. Ref. Nos. 67, 70, 71, 72, 73, 74, 75, 76, 77, 78, 79, 80, 81, 82)
67	-----	3	SCREW, Hex Head W/ Flat Washer, M6 X 12
70	-----	1	NUT, Lock, M10
71	-----	1	WASHER, Flat, 8 X 28 X 3
72	-----	2	BEARING, Ball
73	-----	1	RING, External Retaining
74	-----	2	RETAINER, Ball Bearing
75	-----	4	RIVET, 3 X 6
76	-----	1	BEARING, Ball
77	-----	1	HUB, Friction Wheel
78	-----	1	WHEEL, Friction
79	-----	1	SHAFT, Hex
80	-----	1	BEARING, Ball
81	-----	1	WASHER, Flat, 8 X 28 X 3
82	-----	1	SCREW, Hex Head, M8X20
0210	707539	1	KIT, BEARING, SWING PLATE -(Incl. Ref. Nos. 102-4, 102-5, 102-7)
102-4	-----	1	SHAFT, Bearing Retainer, M10
102-5	-----	2	BEARING, Ball
102-7	-----	1	NUT, Lock, M10
0230	707538	1	KIT, SPRING, SWINGING PLATE -(Incl. Ref. Nos. 106, 107, 108, 109)
106	-----	1	PIN, Cotter, 2.5 X 30
107	-----	1	SLEEVE, Spacer
108	-----	1	WASHER, Flat, 13 X 24 X 2
109	-----	1	SPRING, Extension
0240	707540	1	KIT, SWINGING PLATE -(Incl. Ref. Nos. 102, 106, 107, 108, 109)

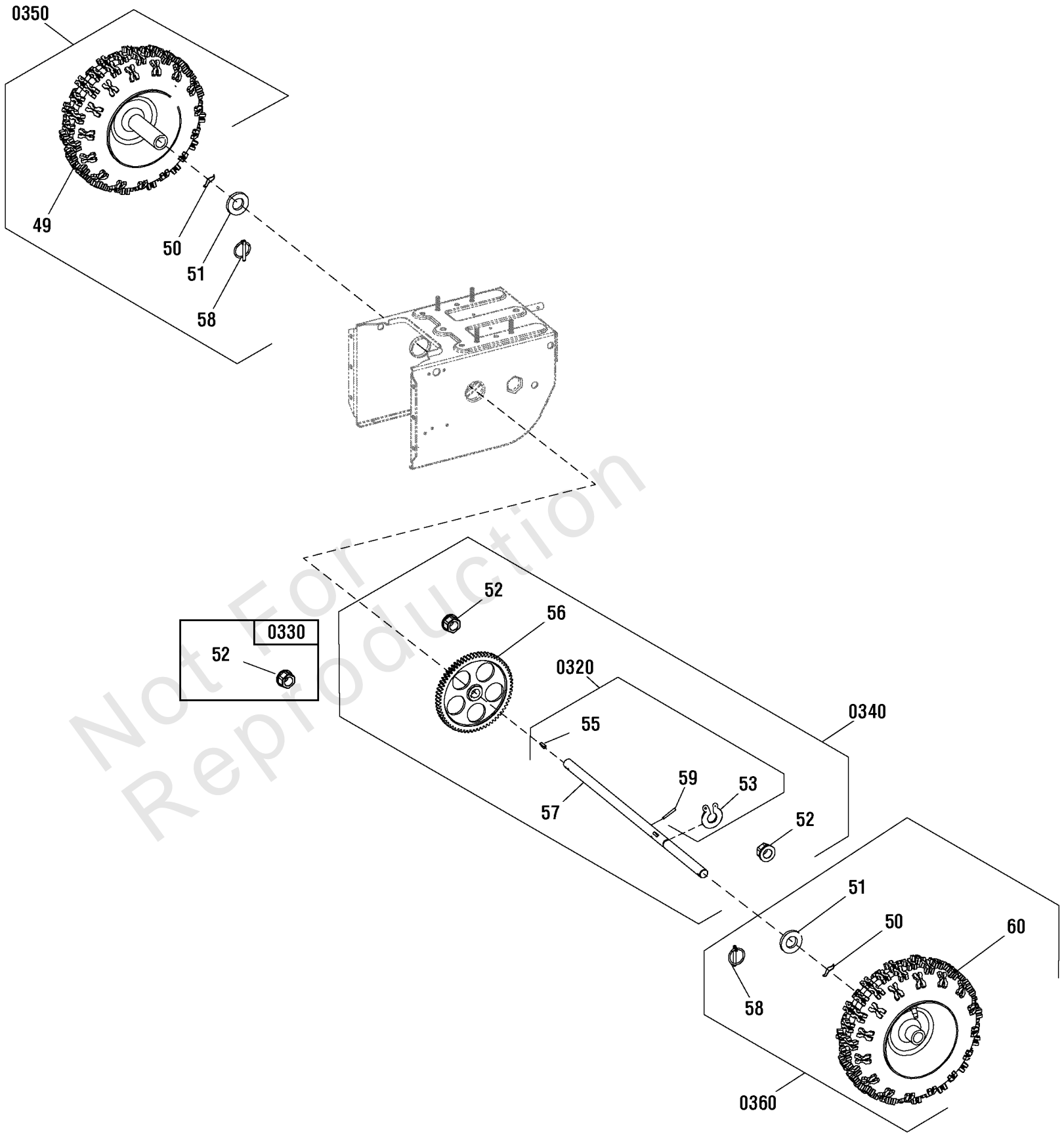
Traction Drive Group

REF NO	PART NO	QTY	DESCRIPTION
102	-----	1	ASSEMBLY, Friction Swing Plate -(Incl. Ref. Nos. 102-1, 102-2, 102-3, 102-4, 102-5, 102-6, 102-7)
102-1	-----	1	PULLEY, Friction
102-2	-----	1	COVER, Friction Pulley
102-3	-----	6	SCREW, Phillips Head, M6 X 10
102-4	-----	1	SHAFT, Bearing Retainer, M10
102-5	-----	2	BEARING, Ball
102-6	-----	1	PLATE, Swinging
102-7	-----	1	NUT, Lock, M10
106	-----	1	PIN, Cotter, 2.5 X 30
107	-----	1	SLEEVE, Spacer
108	-----	1	WASHER, Flat, 13 X 24 X 2
109	-----	1	SPRING, Extension
0250	707815	1	KIT, BRACKET, SWINGING PLATE -(Incl. Ref. Nos. 28, 30, 61, 62, 63, 99, 110)
28	-----	1	SCREW, M6 X 12, Hex Head Shoulder
30	-----	1	PULLEY, Cable
61	-----	2	SCREW, Hex Head, M6 X 35
62	-----	2	WASHER, 6x12x.7, Flat
63	-----	3	NUT, HEX FLANGE HEAD, M6
99	-----	2	SCREW, Hex Head W/ Flat Washer, M6 X 12
110	-----	1	BRACKET, Cable Guide
0260	707816	1	KIT, PULLEY, CABLE -(Incl. Ref. Nos. 28, 30, 63)
28	-----	1	SCREW, M6 X 12, Hex Head Shoulder
30	-----	1	PULLEY, Cable
63	-----	3	NUT, HEX FLANGE HEAD, M6
0270	707817	1	KIT, SHIFT ROD ASSEMBLY -(Incl. Ref. Nos. 66, 67, 68, 69)
66	-----	1	BRACKET, Speed Select
67	-----	2	SCREW, Hex Head W/ Flat Washer, M6 X 12
68	-----	1	SPRING, Compression
69	-----	1	ROD, Speed Select, Fork
0280	770078	1	KIT, Axle & Sprocket -(Incl. Ref. Nos. 44, 97, 149, 150, 151, 152, 153, 154)
44	-----	2	WASHER, Flat
97	-----	2	WASHER, Wave, 20
149	-----	1	RING, External Retaining
150	-----	1	KEY, WOODRUFF
151	-----	1	PIN, Spring, 4 X 30
152	-----	1	AXLE
153	-----	1	GEAR, Drive
154	-----	2	SLEEVE, Axle

Wheels & Tires Group

Note: Unless noted otherwise, use the standard torque specifications

Mfg. No: 1696610-01



Wheels & Tires Group

REF NO	PART NO	QTY	DESCRIPTION
0320	707530	1	KIT, BEARING HARDWARE, AXLE -(Incl. Ref. Nos. 53, 55 & 59)
53	-----	1	*CIRCLIP, Shaft
55	-----	1	*KEY, Woodruff
59	-----	1	*PIN, Spring
0330	707532	1	KIT, AXLE SLEEVE -(Incl. Ref. No. 52)
52	-----	2	*SLEEVE, Axle
0340	770118	1	KIT, AXLE AND SPROCKET -(Incl. Ref. Nos. 52, 53, 55, 56, 57 & 59)
52	-----	2	*SLEEVE, Axle
53	-----	1	*CIRCLIP, Shaft
55	-----	1	*KEY, Woodruff
59	-----	1	*PIN, Spring
56	-----	1	*GEAR, Driven
57	-----	1	*SHAFT, Driven wheel
0350	707842	1	KIT, Wheel & Tire, Right, Snow Silver -(Incl. Ref. Nos. 50, 51, 58 & 60)
49	-----	1	*ASSEMBLY, Tire, Right
-----	80014742	1	TREAD, Tire
50	-----	2	*GASKET, Corrugated
51	-----	2	*WASHER, Flat
58	709530	2	*PIN, Klik
0360	707844	1	KIT, Wheel & Tire, Left, Snow Silver -(Incl. Ref. No. 49, 50, 51 & 58)
50	-----	2	*GASKET, Corrugated
51	-----	2	*WASHER, Flat
58	709530	2	*PIN, Klik
60	-----	1	*ASSEMBLY, Tire, Left
-----	80014742	1	TREAD, Tire

Footnotes:

Note:* Not a serviceable part.

