



# SERVICE PARTS LIST

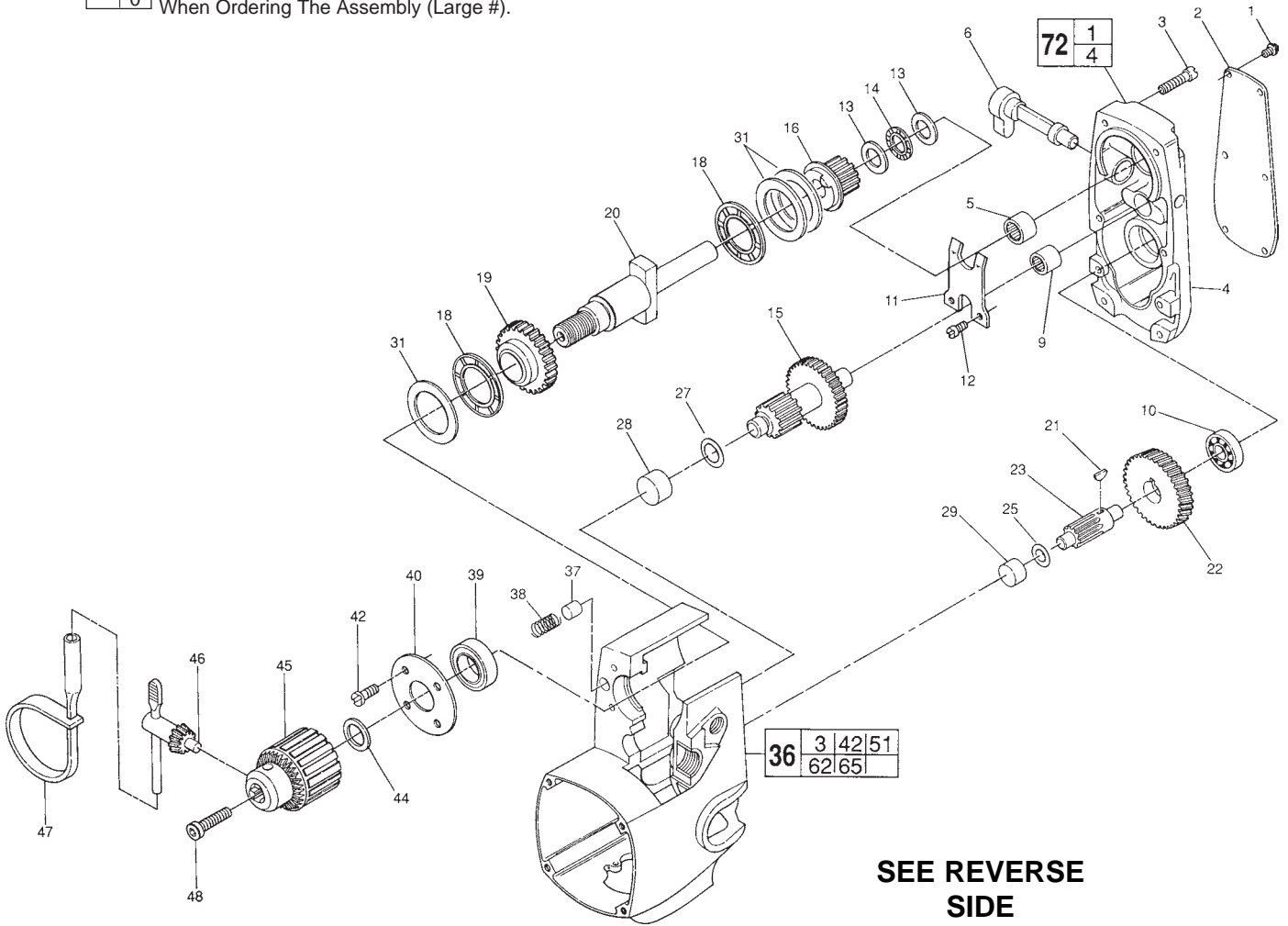
**BULLETIN NO.**  
**54-10-0200**

<b>SPECIFY CATALOG NO. AND SERIAL NO. WHEN ORDERING PARTS</b>		REVISED BULLETIN	DATE
<b>VARIABLE SPEED EXTENDED REACH HOLE HAWG®</b>			Oct. 2000
CATALOG NO. <b>1678-20</b>	STARTING SERIAL NO. <b>930A</b>	WIRING INSTRUCTION <b>58-01-0665</b>	

**EXAMPLE:**  

00	0
----	---

 Component Parts (Small #) Are Included When Ordering The Assembly (Large #).



**SEE REVERSE SIDE**

FIG.	PART NO.	DESCRIPTION OF PART	QTY.	FIG.	PART NO.	DESCRIPTION OF PART	QTY.	
1	06-95-0500	4-40 x 3/16" Pan Hd. T-10 Screw	(6)	★	45-88-0520	Thrust Washer	(3)	
2	12-98-7300	Service Nameplate	(1)	36	28-50-6128	Motor Housing Assembly	(1)	
3	06-82-5362	8-32 x 1" Pan Hd. T-20 Screw	(6)	37	44-70-0160	Shifting Plunger	(2)	
4	28-20-1251	Gear Case Cover	(1)	38	40-50-7670	Shifting Spring	(2)	
5	02-50-3170	Needle Bearing	(1)	39	02-04-1700	Ball Bearing	(1)	
6	31-11-0100	Shifting Cam	(1)	40	44-66-5241	Bearing Retainer Plate	(1)	
9	02-50-2750	Needle Bearing	(1)	42	06-82-7252	8-32 x 3/8" Pan Hd. T-20 Screw	(4)	
10	02-04-0910	Ball Bearing	(1)	44	45-88-0330	Chuck Spacer Washer	(1)	
11	45-98-0100	Shifting Yoke	(1)	45	48-66-1381	Chuck	(1)	
12	06-82-7252	8-32 x 3/8" Pan Hd. T-20 Screw	(2)	46	48-66-3280	Chuck Key	(1)	
13	45-88-7150	Thrust Washer	(2)	47	48-66-4040	Key Holder	(1)	
14	02-80-6020	Thrust Bearing	(1)	48	06-75-3150	1/4-20 x 1" L.H. Soc. Hd. Cap Screw	(1)	
★	15	36-66-4530	2nd. Intermediate Pinion and Gear	(1)	72	28-20-1126	Gear Case Cover Assembly	(1)
★	16	32-10-0132	Hi-Speed Clutch Gear Assembly	(1)				
	18	02-80-1800	Thrust Bearing	(2)				
	19	32-10-0122	Lo-Speed Clutch Gear Assembly	(1)				
	20	38-50-4991	Spindle	(1)				
	21	06-42-1200	No. 212 Woodruff Key	(1)				
	22	32-42-1301	1st. Intermediate Gear	(1)				
	23	36-66-4071	1st. Intermediate Pinion	(1)				
	25	45-88-7100	Fiber Thrust Washer	(1)				
	27	45-88-7095	Fiber Thrust Washer	(1)				
	28	02-50-3180	Needle Bearing	(1)				
	29	02-50-2020	Needle Bearing	(1)				

**FIG. NOTES**  
 20,45 Chuck mounted to spindle @ 90 ft./lbs. torque.

**FIG. LUBRICATION**  
 4 3-1/2 oz. Type "E" Grease, No. 49-08-4122.  
 Prelube all needle bearings with Type "E" Grease, No. 49-08-4122.

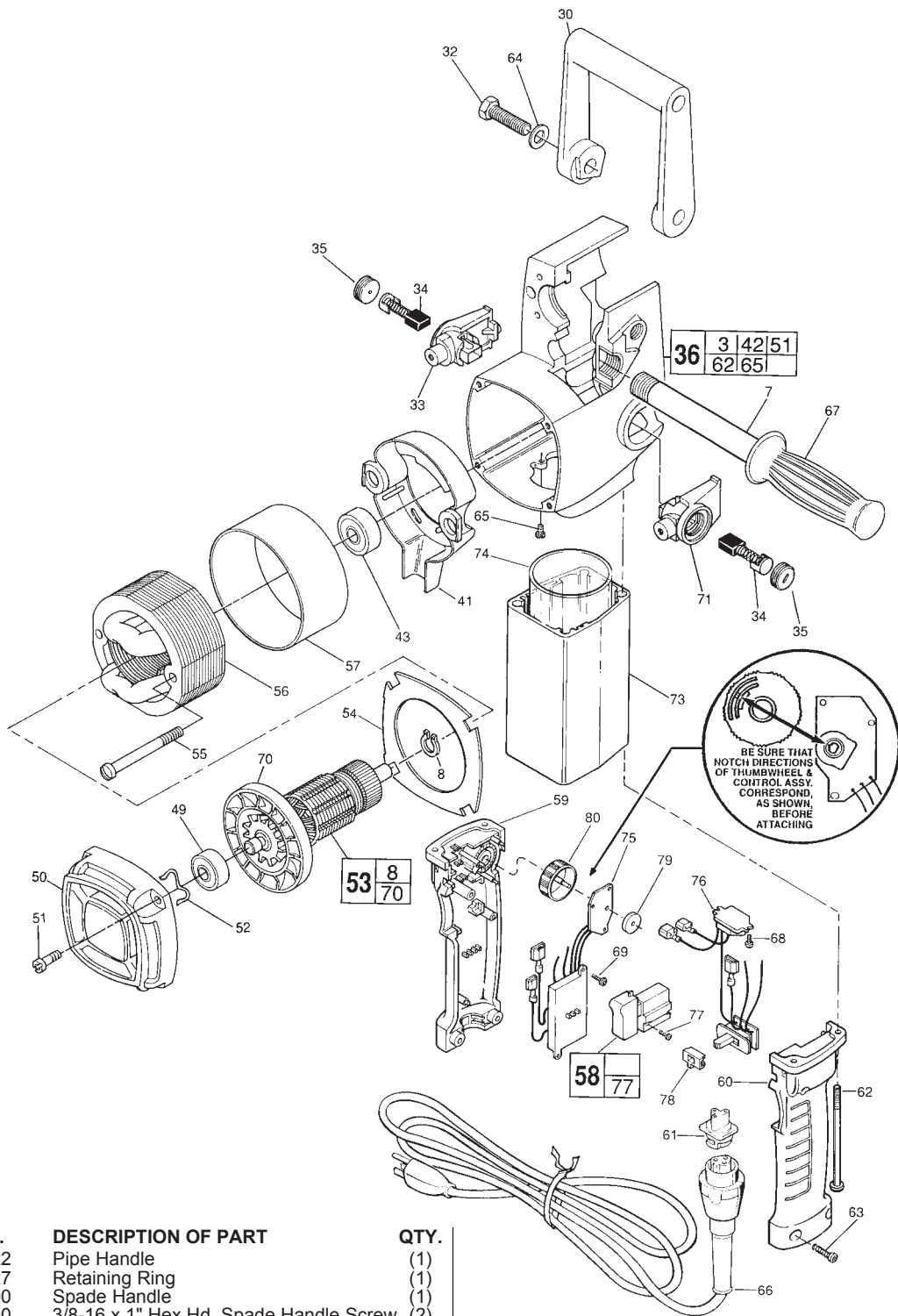


FIG.	PART NO.	DESCRIPTION OF PART	QTY.
7	43-62-0122	Pipe Handle	(1)
8	34-60-0827	Retaining Ring	(1)
30	31-44-1100	Spade Handle	(1)
32	06-75-0500	3/8-16 x 1" Hex Hd. Spade Handle Screw	(2)
33	22-22-1350	R. H. Brush Holder Assembly	(1)
34	22-18-0670	Carbon Brush Assembly	(2)
35	23-44-0220	Brush Retaining Cap	(2)
36	28-50-6128	Motor Housing Assembly	(1)
41	31-55-0065	Coil Shield	(1)
43	02-04-1050	Ball Bearing	(1)
49	02-04-0913	Ball Bearing	(1)
50	28-50-6235	Bearing Support Housing	(1)
51	06-82-5346	8-32 x 3/4" Pan Hd. T-20 Screw	(4)
52	45-88-7110	Spring Washer	(1)
53	16-50-1076	Armature Assembly	(1)
54	42-14-0150	Baffle	(1)
55	06-82-7410	8-16 x 1-7/8" Pan Hd. Plastite T-20 Screw	(2)
56	18-50-0085	Field Assembly	(1)
57	23-16-0425	Field Insulator	(1)
58	23-66-0115	Switch	(1)
59	31-44-1500	R.H. Drill Handle	(1)
60	31-44-1505	L.H. Drill Handle	(1)
61	22-56-0830	Pin Housing Assembly	(1)
62	06-82-5999	1/4-20 x 5-9/16" Pan Hd. Tapt. T-27 Scr.	(4)
63	06-82-7284	8-16 x 3/4" Pan Hd. Plastite T-20 Screw	(3)
64	45-88-0605	Flat Washer	(2)
65	06-95-5150	6-32 x 1/4" Ground Screw	(1)

FIG.	PART NO.	DESCRIPTION OF PART	QTY.
66	48-76-4008	Quik-Lok Cord Set	(1)
67	43-62-0246	Handle Grip	(1)
68	06-82-5266	4-40 x 1/4" Pan Hd. Taptite T-10	(2)
69	06-82-7240	6-19 x 1/2" Pan Hd. Plastite T-15	(1)
70	22-84-0660	Fan	(1)
71	22-22-1355	L.H. Brush Holder Assembly	(1)
73	45-36-1580	Spacer	(1)
74	23-48-7205	Insulating Sleeve	(1)
75	14-20-3055	Control Assembly	(1)
76	14-20-3060	Triac/Reversing Switch Assembly	(1)
77	05-81-0125	M3 x 5 Switch Screw	(2)
78	43-72-0220	Interlock	(1)
79	45-88-8710	Foam Washer	(1)
80	45-94-0380	Thumbwheel	(1)
	10-98-5986	Caution Label	(1)