



# SERVICE PARTS LIST

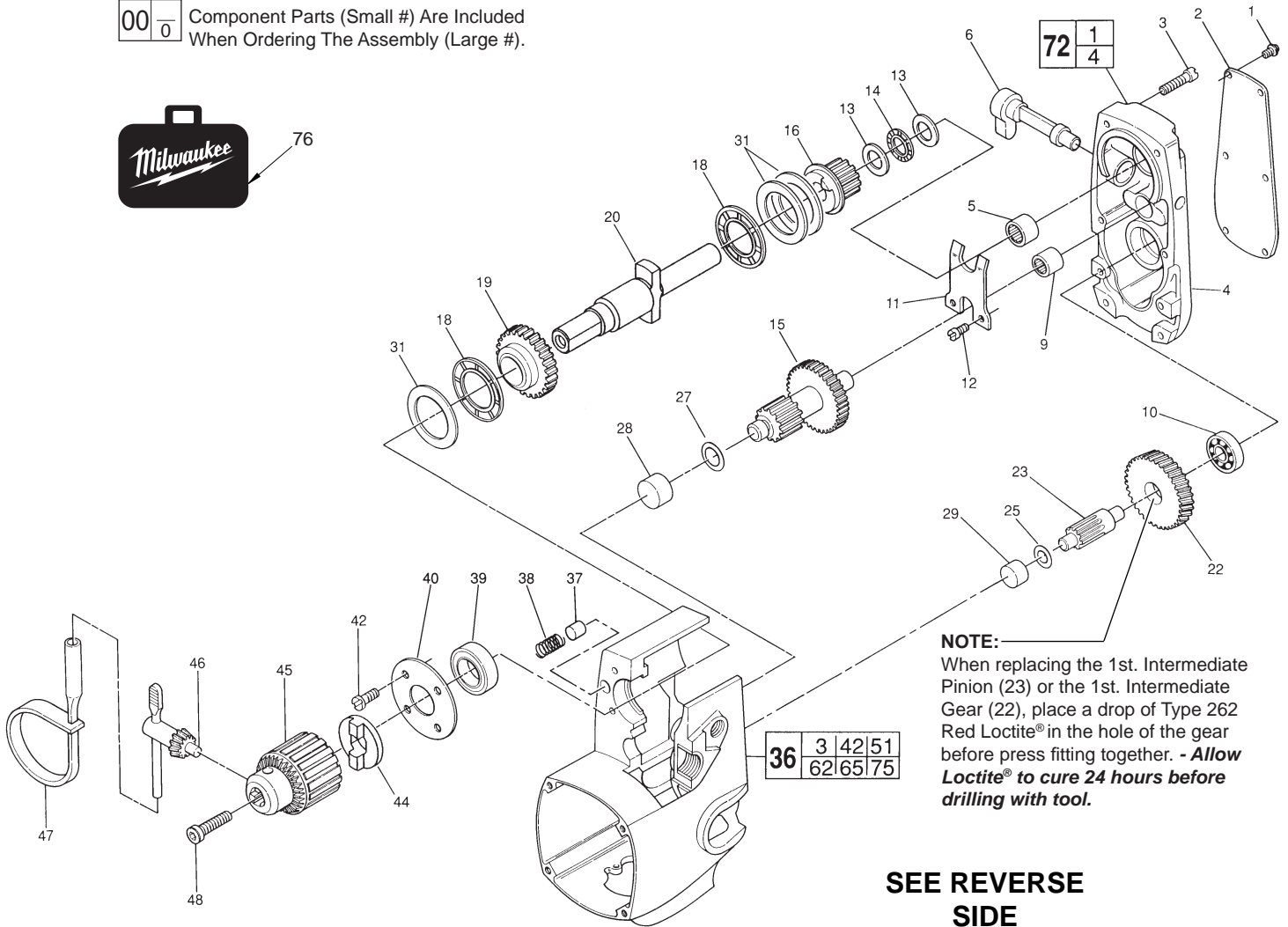
**BULLETIN NO.**  
**54-10-4016**

| SPECIFY CATALOG NO. AND SERIAL NO. WHEN ORDERING PARTS |                                 | REVISED BULLETIN                        | DATE      |
|--|---------------------------------|---|-----------|
| <b>TWO SPEED HOLE HAWG®</b>                            |                                 | 54-10-4015                              | Nov. 2013 |
|  |                                 | WIRING INSTRUCTION<br><b>58-01-0626</b> |           |
| <b>CATALOG NO. 1675-1</b>                              | <b>STARTING SERIAL NO. 413E</b> |   |           |

**EXAMPLE:**  

|    |   |
|----|---|
| 00 | 0 |
|----|---|

 Component Parts (Small #) Are Included When Ordering The Assembly (Large #).



**NOTE:**  
 When replacing the 1st. Intermediate Pinion (23) or the 1st. Intermediate Gear (22), place a drop of Type 262 Red Loctite® in the hole of the gear before press fitting together. - **Allow Loctite® to cure 24 hours before drilling with tool.**

**SEE REVERSE SIDE**

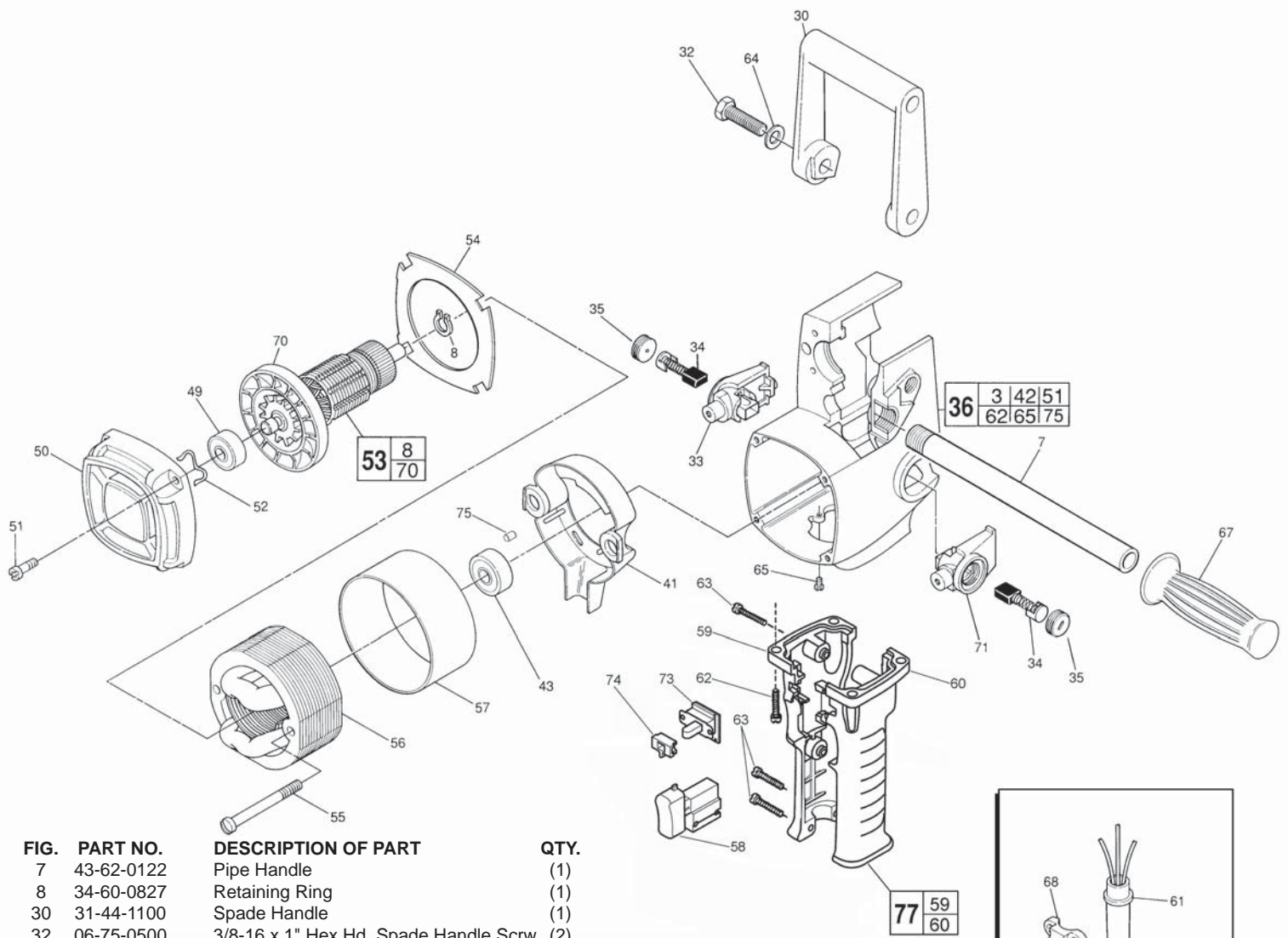
| FIG. | PART NO.   | DESCRIPTION OF PART               | QTY. |
|------|------------|-----------------------------------|------|
| 1    | 06-82-5266 | 4-40 x 1/4" Pan Hd. T-10 Screw    | (6)  |
| 2    | 12-98-7300 | Service Nameplate                 | (1)  |
| 3    | 06-82-5362 | 8-32 x 1" Pan Hd. T-20 Screw      | (6)  |
| 4    | 28-20-1251 | Gear Case Cover                   | (1)  |
| 5    | 02-50-3170 | Needle Bearing                    | (1)  |
| 6    | 31-11-0100 | Shifting Cam                      | (1)  |
| 9    | 02-50-2750 | Needle Bearing                    | (1)  |
| 10   | 02-04-0910 | Ball Bearing                      | (1)  |
| 11   | 45-98-0100 | Shifting Yoke                     | (1)  |
| 12   | 06-82-7252 | 8-32 x 3/8" Pan Hd. T-20 Screw    | (2)  |
| 13   | 45-88-7150 | Thrust Washer                     | (2)  |
| 14   | 02-80-6020 | Thrust Bearing                    | (1)  |
| 15   | 36-66-4530 | 2nd. Intermediate Pinion and Gear | (1)  |
| 16   | 32-10-0132 | Hi-Speed Clutch Gear Assembly     | (1)  |
| 18   | 02-80-1800 | Thrust Bearing                    | (2)  |
| 19   | 32-10-0122 | Lo-Speed Clutch Gear Assembly     | (1)  |
| 20   | 38-50-5000 | Spindle                           | (1)  |
| 22   | 32-42-1302 | 1st. Intermediate Gear            | (1)  |
| 23   | 36-66-4072 | 1st. Intermediate Pinion          | (1)  |
| 25   | 45-88-7100 | Fiber Thrust Washer               | (1)  |
| 27   | 45-88-7095 | Fiber Thrust Washer               | (1)  |
| 28   | 02-50-3180 | Needle Bearing                    | (1)  |
| 29   | 02-50-2435 | Needle Bearing                    | (1)  |
| 31   | 45-88-0520 | Thrust Washer                     | (3)  |

| FIG. | PART NO.   | DESCRIPTION OF PART                  | QTY. |
|------|------------|--------------------------------------|------|
| 36   | 28-50-6129 | Motor Housing Assembly               | (1)  |
| 37   | 44-70-0160 | Shifting Plunger                     | (2)  |
| 38   | 40-50-7670 | Shifting Spring                      | (2)  |
| 39   | 02-04-1700 | Ball Bearing                         | (1)  |
| 40   | 44-66-5241 | Bearing Retainer Plate               | (1)  |
| ★ 42 | 06-82-5316 | 8-32 x 1/2" Pan Hd. Tapt. T-20 Screw | (4)  |
| 44   | 43-78-0670 | Drive Hub                            | (1)  |
| 45   | 48-66-1481 | Chuck                                | (1)  |
| 46   | 48-66-3280 | Chuck Key                            | (1)  |
| 47   | 48-66-4040 | Key Holder                           | (1)  |
| 48   | 06-75-3155 | 1/4-20 x 1" L.H. Soc. Hd. Cap Screw  | (1)  |
| 72   | 28-20-1126 | Gear Case Cover Assembly             | (1)  |
| ★ 76 | 42-55-0121 | Carrying Case, Optional              | (1)  |

**FIG. NOTES**  
 48 Torque to 150-155 in./lbs.

**FIG. LUBRICATION**  
 4 3-1/2 oz. Type "E" Grease, No. 49-08-4122.  
 Prelube all needle bearings with Type "E" Grease, No. 49-08-4122.

**MILWAUKEE ELECTRIC TOOL CORPORATION**  
 13135 W. LISBON RD., BROOKFIELD, WI 53005  
 Drwg. 6



| FIG. | PART NO. | DESCRIPTION OF PART                      | QTY. |
|------|----------|--|------|
|      | 7        | Pipe Handle                              | (1)  |
|      | 8        | Retaining Ring                           | (1)  |
|      | 30       | Spade Handle                             | (1)  |
|      | 32       | 3/8-16 x 1" Hex Hd. Spade Handle Scrw    | (2)  |
|      | 33       | R. H. Brush Holder Assembly              | (1)  |
|      | 34       | Carbon Brush Assembly                    | (2)  |
|      | 35       | Brush Retaining Cap                      | (2)  |
|      | 36       | Motor Housing Assembly                   | (1)  |
|      | 41       | Coil Shield                              | (1)  |
|      | 43       | Ball Bearing                             | (1)  |
|      | 49       | Ball Bearing                             | (1)  |
|      | 50       | Bearing Support Housing                  | (1)  |
|      | 51       | 8-32 x 3/4" Pan Hd. T-20 Screw           | (4)  |
|      | 52       | Spring Washer                            | (1)  |
|      | 53       | Armature Assembly                        | (1)  |
|      | 54       | Baffle                                   | (1)  |
| ★    | 55       | 8-16 x 1.80" Pan Hd. Plast. T-20 Screw   | (2)  |
|      | 56       | Field Assembly                           | (1)  |
|      | 57       | Field Insulator                          | (1)  |
| ★    | 58       | Switch                                   | (1)  |
| ★    | 59       | R.H. Drill Handle                        | (1)  |
| ★    | 60       | L.H. Drill Handle                        | (1)  |
|      | 61       | Cord Protector                           | (1)  |
|      | 62       | 1/4-20 x 3/4" Pan Hd. Taptite T-27 Screw | (4)  |
|      | 63       | 8-16 x 1" Pan Hd. Plastite T-20 Screw    | (3)  |
|      | 64       | Flat Washer                              | (2)  |
|      | 65       | 6-32 x 1/4" Ground Screw                 | (1)  |
| ★    | 66       | Cord Set                                 | (1)  |
|      | 67       | Handle Grip                              | (1)  |
|      | 68       | Cord Clamp                               | (1)  |
|      | 69       | 8-16 x 5/8" Pan Hd. Slit. T-20 Plastite  | (2)  |
|      | 70       | Fan                                      | (1)  |
|      | 71       | L.H. Brush Holder Assembly               | (1)  |
| ★    | 73       | Fwd./Rev. Switch                         | (1)  |
| ★    | 74       | Interlock                                | (1)  |
| ★    | 75       | Retaining Slug                           | (1)  |
| ★    | 77       | Handle Set                               | (1)  |
| ★    |          | Caution Label (Not Shown)                | (1)  |

