



SERVICE PARTS LIST

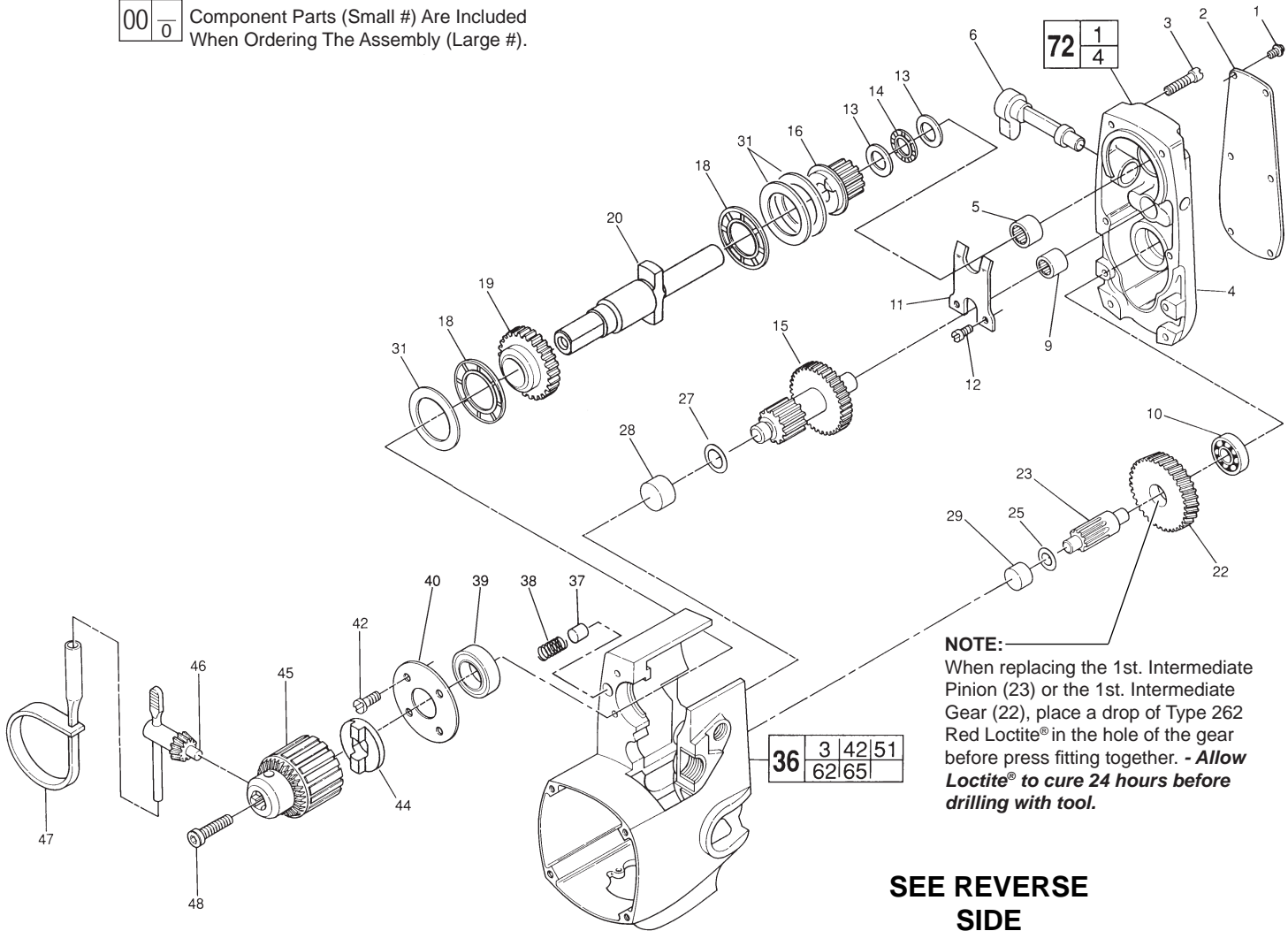
BULLETIN NO.
54-10-4015

SPECIFY CATALOG NO. AND SERIAL NO. WHEN ORDERING PARTS		REVISED BULLETIN	DATE
TWO SPEED HOLE HAWG®		54-10-4014	Feb. 2008
		WIRING INSTRUCTION 58-01-0626	
CATALOG NO. 1675-1	STARTING SERIAL NO. 413D		

EXAMPLE:

00	0
----	---

 Component Parts (Small #) Are Included When Ordering The Assembly (Large #).



NOTE:
 When replacing the 1st. Intermediate Pinion (23) or the 1st. Intermediate Gear (22), place a drop of Type 262 Red Loctite® in the hole of the gear before press fitting together. - **Allow Loctite® to cure 24 hours before drilling with tool.**

SEE REVERSE SIDE

FIG.	PART NO.	DESCRIPTION OF PART	QTY.	FIG.	PART NO.	DESCRIPTION OF PART	QTY.
1	06-82-5266	4-40 x 1/4" Pan Hd. T-10 Screw	(6)	36	28-50-6129	Motor Housing Assembly	(1)
2	12-98-7300	Service Nameplate	(1)	37	44-70-0160	Shifting Plunger	(2)
3	06-82-5362	8-32 x 1" Pan Hd. T-20 Screw	(6)	38	40-50-7670	Shifting Spring	(2)
4	28-20-1251	Gear Case Cover	(1)	39	02-04-1700	Ball Bearing	(1)
5	02-50-3170	Needle Bearing	(1)	40	44-66-5241	Bearing Retainer Plate	(1)
6	31-11-0100	Shifting Cam	(1)	42	06-82-7252	8-32 x 3/8" Pan Hd. T-20 Screw	(4)
9	02-50-2750	Needle Bearing	(1)	44	43-78-0670	Drive Hub	(1)
10	02-04-0910	Ball Bearing	(1)	45	48-66-1481	Chuck	(1)
11	45-98-0100	Shifting Yoke	(1)	46	48-66-3280	Chuck Key	(1)
12	06-82-7252	8-32 x 3/8" Pan Hd. T-20 Screw	(2)	47	48-66-4040	Key Holder	(1)
13	45-88-7150	Thrust Washer	(2)	48	06-75-3155	1/4-20 x 1" L.H. Soc. Hd. Cap Screw	(1)
14	02-80-6020	Thrust Bearing	(1)	72	28-20-1126	Gear Case Cover Assembly	(1)
15	36-66-4530	2nd. Intermediate Pinion and Gear	(1)				
16	32-10-0132	Hi-Speed Clutch Gear Assembly	(1)	FIG.	NOTES		
18	02-80-1800	Thrust Bearing	(2)	48		Torque to 150-155 in./lbs.	
19	32-10-0122	Lo-Speed Clutch Gear Assembly	(1)	FIG.	LUBRICATION		
20	38-50-5000	Spindle	(1)	4		3-1/2 oz. Type "E" Grease, No. 49-08-4122.	
★ 22	32-42-1302	1st. Intermediate Gear	(1)			Prelube all needle bearings with	
★ 23	36-66-4072	1st. Intermediate Pinion	(1)			Type "E" Grease, No. 49-08-4122.	
25	45-88-7100	Fiber Thrust Washer	(1)				
27	45-88-7095	Fiber Thrust Washer	(1)				
28	02-50-3180	Needle Bearing	(1)				
29	02-50-2435	Needle Bearing	(1)				
31	45-88-0520	Thrust Washer	(3)				

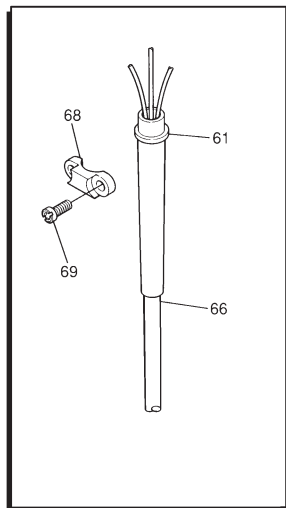
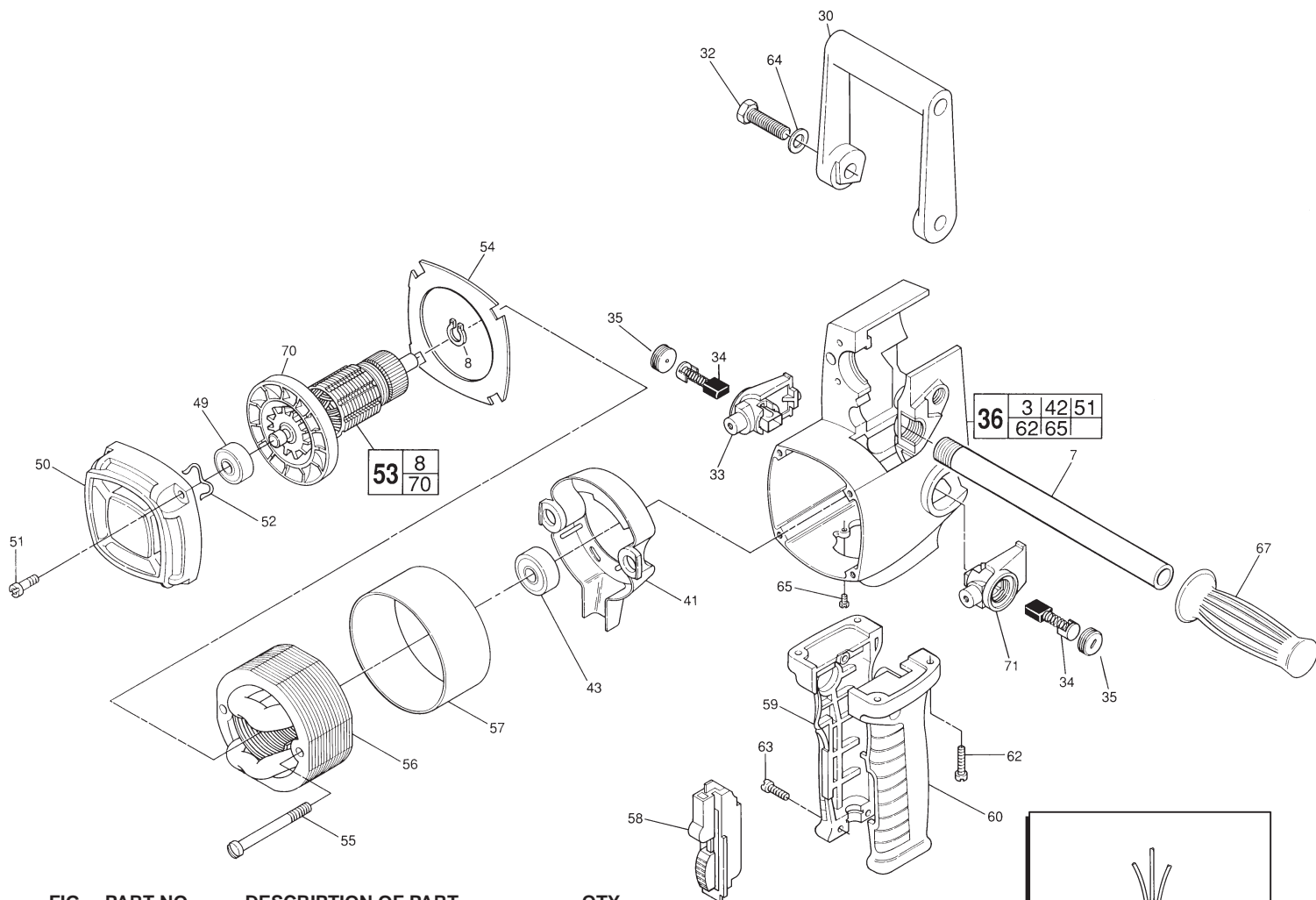


FIG.	PART NO.	DESCRIPTION OF PART	QTY.
	7	43-62-0122 Pipe Handle	(1)
	8	34-60-0827 Retaining Ring	(1)
	30	31-44-1100 Spade Handle	(1)
	32	06-75-0500 3/8-16 x 1" Hex Hd. Spade Handle Scrw	(2)
	33	22-22-1350 R. H. Brush Holder Assembly	(1)
	34	22-18-0670 Carbon Brush Assembly	(2)
	35	23-44-0220 Brush Retaining Cap	(2)
	36	28-50-6129 Motor Housing Assembly	(1)
	41	31-55-0065 Coil Shield	(1)
	43	02-04-1050 Ball Bearing	(1)
	49	02-04-0913 Ball Bearing	(1)
	50	28-50-6235 Bearing Support Housing	(1)
	51	06-82-5346 8-32 x 3/4" Pan Hd. T-20 Screw	(4)
	52	45-88-7110 Spring Washer	(1)
	53	16-50-1076 Armature Assembly	(1)
	54	42-14-0150 Baffle	(1)
	55	06-82-7412 8-16 x 1-7/8" Pan Hd. Plast. T-20 Screw	(2)
	56	18-50-0076 Field Assembly	(1)
	57	23-16-0425 Field Insulator	(1)
	58	23-66-1020 Switch	(1)
	59	31-44-1441 R.H. Drill Handle	(1)
	60	31-44-1446 L.H. Drill Handle	(1)
	61	44-76-0150 Cord Protector	(1)
	62	06-82-5382 1/4-20 x 3/4" Pan Hd. Taptite T-27 Screw	(4)
	63	06-82-7326 8-16 x 1" Pan Hd. Plastite T-20 Screw	(3)
	64	45-88-0605 Flat Washer	(2)
	65	06-95-5150 6-32 x 1/4" Ground Screw	(1)
	66	22-64-0121 Cord Set	(1)
	67	43-62-0246 Handle Grip	(1)
	68	31-17-0155 Cord Clamp	(1)
	69	06-82-7270 8-16 x 5/8" Pan Hd. Slit. T-20 Plastite	(2)
	70	22-84-0660 Fan	(1)
	71	22-22-1355 L.H. Brush Holder Assembly	(1)
	10-98-5986	Caution Label	(1)