



SERVICE PARTS LIST

BULLETIN NO.
54-10-4006

SPECIFY CATALOG NO. AND SERIAL NO. WHEN ORDERING PARTS		REVISED BULLETIN 54-10-4005	DATE Oct. '82
TWO SPEED HOLE HAWG		WIRING INSTRUCTION 58-01-0625	
CATALOG NO. 1675-1	STARTING SERIAL NO. 413-177000		
CAT. NO. 1675-6	START SER. NO. 413-01001	BILINGUAL LABEL 10-98-6400	

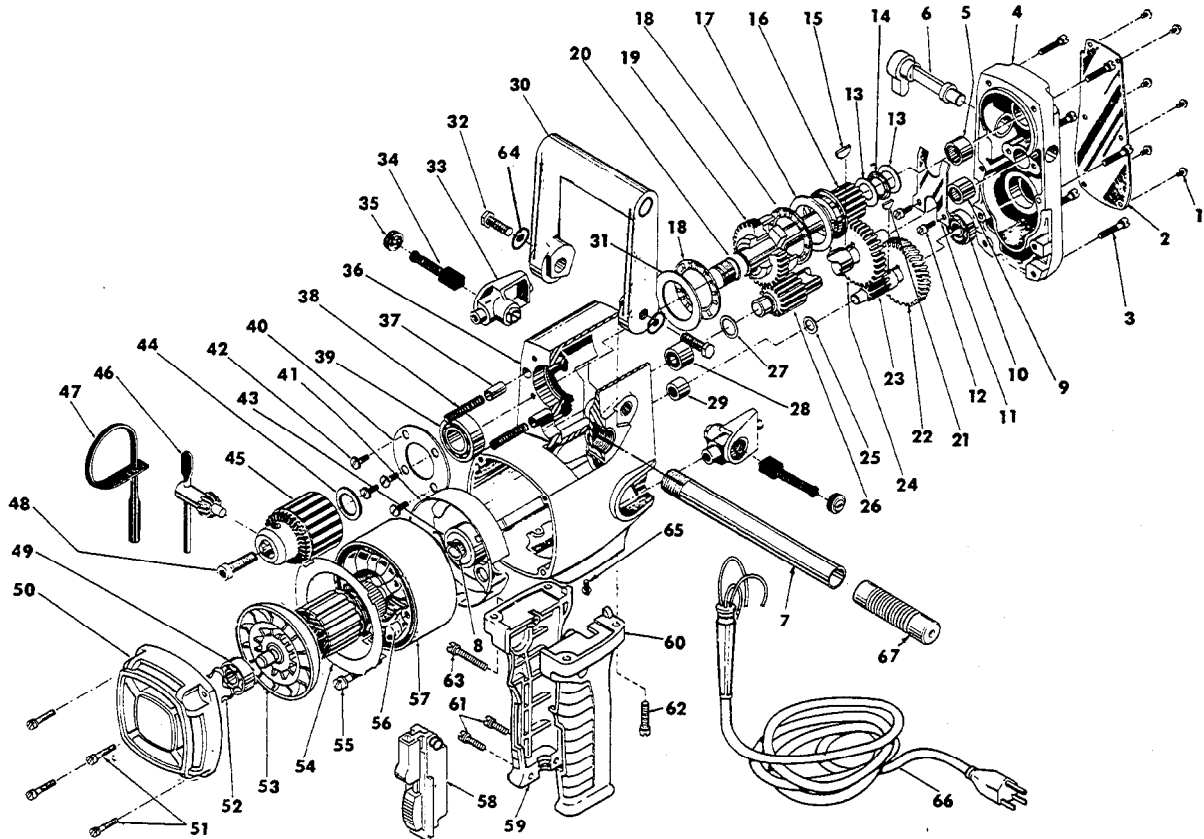


FIG.	PART NO.	DESCRIPTION OF PART	NO. REQ.
1	06-81-8200	4-36 x 3/16 Rd. Hd. Nameplate Scr.	(6)
2	12-98-7050	Nameplate	(1)
3	06-81-6350	8-32 x 1 Fil. Hd. Gear Case Cover Scr.	(6)
4	28-20-1121	Gear Case Cover	(1)
5	02-50-3170	Needle Bearing	(1)
6	31-11-0100	Shifting Cam	(1)
7	43-62-0120	Pipe Handle	(1)
8	34-60-0827	Retaining Ring	(1)
9	02-50-2750	Needle Bearing	(1)
10	02-04-0910	Ball Bearing	(1)
11	45-98-0100	Shifting Yoke	(1)
12	06-81-6050	8-32 x 5/16 Fil. Hd. Shifting Yoke Scr.	(2)
13	45-88-7150	Thrust Washer	(2)
14	02-80-6020	Thrust Bearing	(1)
15	06-42-2000	No. 3 Woodruff Key	(1)
16	32-10-0132	Hi-Speed Clutch Gear Assy.	(1)
17	45-88-7140	Thrust Washer	(1)
18	02-80-1800	Thrust Bearing	(2)
19	32-10-0122	Lo-Speed Clutch Gear Assy.	(1)
20	38-50-4991	Spindle	(1)
21	06-42-1200	No. 212 Woodruff Key	(1)
22	32-42-1301	1st. Intermediate Gear	(1)
23	36-66-4071	1st. Intermediate Pinion	(1)
24	32-44-1311	2nd. Intermediate Gear	(1)
25	45-88-7100	Fiber Thrust Washer	(1)
26	36-66-4081	2nd. Intermediate Pinion	(1)
27	45-88-7095	Fiber Thrust Washer	(1)
28	02-50-3180	Needle Bearing	(1)
29	02-50-2020	Needle Bearing	(1)
30	31-44-1100	Spade Handle	(1)
31	45-88-0520	Thrust Washer	(1)
32	06-75-0500	3/8-16 x 1 Hex Hd. Spade Handle Scr.	(2)
★ 33	22-22-0285	Brush Holder Assy.	(2)
34	22-18-0450	Carbon Brush Assy.	(2)
35	23-44-0130	Brush Retaining Cap	(2)
★ 36	28-50-6125	Motor Housing Assy.	(1)
37	44-70-0160	Shifting Plunger	(2)
38	40-50-7670	Shifting Spring	(2)
39	02-04-1700	Ball Bearing	(1)
40	44-66-5241	Bearing Retainer Plate	(1)
★ 41	31-55-0062	Coil Shield	(1)
42	06-81-5502	8-32 x 3/8 Comb. Phil. Hd. Sem.	(4)
43	02-04-1050	Ball Bearing	(1)
44	45-88-0330	Chuck Spacer Washer	(1)
45	48-66-1380	Chuck	(1)
46	48-66-3280	Chuck Key	(1)
47	48-66-4040	Key Holder	(1)
48	06-75-3150	1/4-20 x 1 L.H. Soc. Hd. Cap Screw	(1)
49	02-04-0940	Ball Bearing	(1)
★ 50	28-50-6230	Bearing Support Housing	(1)
51	06-81-6202	8-32 x 5/8 Fil. Hd. Brg. Support Hsg. Scr.	(4)
52	45-88-7110	Spring Washer	(1)
★ 53	16-50-0070	Armature Assy. (Incl. 22-84-0660 Fan & Fig. 8)	(1)
54	42-14-0150	Baffle	(1)
★ 55	06-95-3290	8-16 x 1-7/8" Plastite Pan Hd. Screw	(2)
★ 56	18-50-0070	Field Assy.	(1)
★ 57	23-16-0425	Field Insulator	(1)
58	23-66-1020	Switch	(1)
59	31-44-0500	R.H. Drill Handle	(1)
60	31-44-0510	L.H. Drill Handle	(1)
61	06-81-6202	8-32 x 5/8 Fil. Hd. Handle Cover Scr.	(2)
62	06-81-7560	12-24 x 7/8 Fil. Hd. Handle Ret. Scr.	(4)
63	06-81-6402	8-32 x 1-1/8 Fil. Hd. Handle Cover Scr.	(1)
64	45-88-0605	Flat Washer	(2)
65	06-81-8625	6-32 x 1/4 Ground Scr.	(1)
★ 66	22-64-0387	Cord Set	(1)
67	43-62-0242	Handle Grip	(1)
68	10-98-5987	Caution Label (Not Shown) Omit For Canadian Tools	(1)

MILWAUKEE ELECTRIC TOOL CORPORATION
13135 W. LISBON RD., BROOKFIELD, WIS. 53005