



SERVICE PARTS LIST

BUL. 54-10-4027

HOLE HAWG

REVISED BUL.
54-10-4026

DATE
Sept. '78

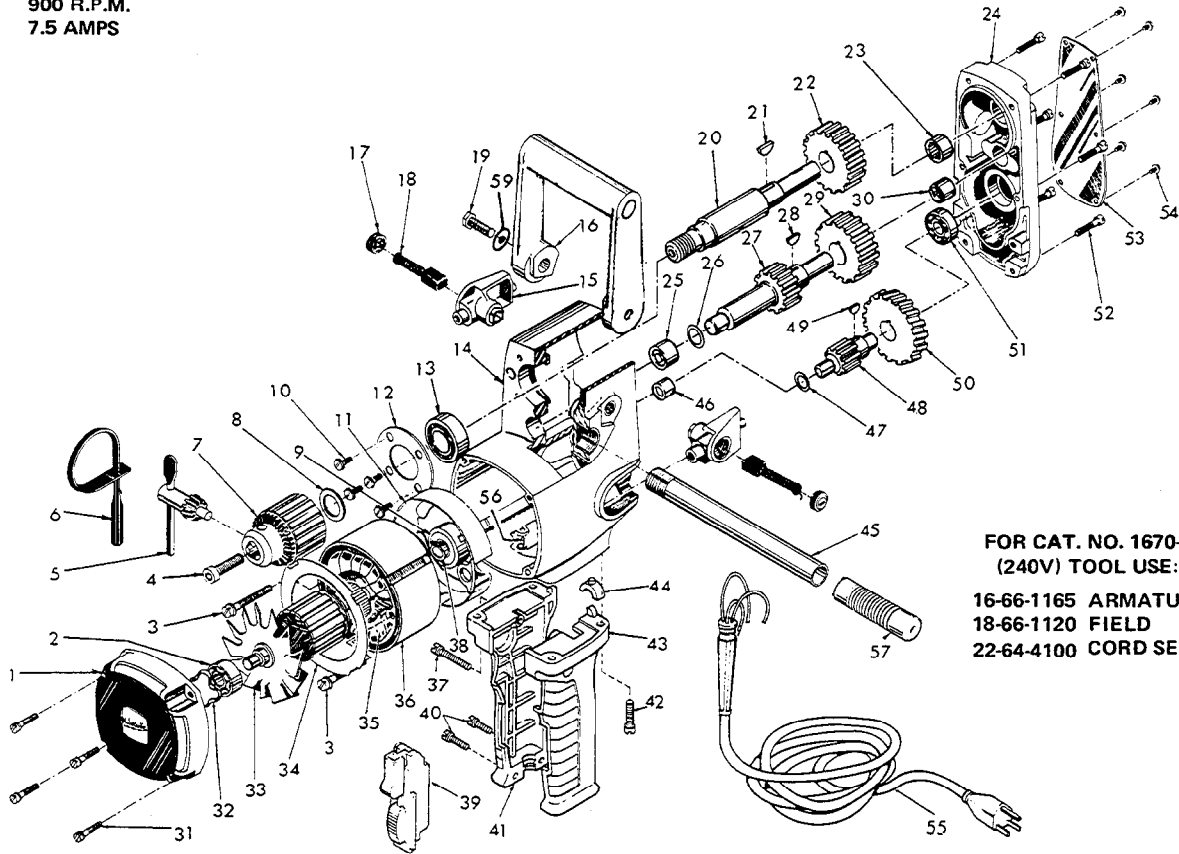
Catalog No. 1670-1

Starting
Serial No. **472-4782**

WIRING INSTRUCTIONS
58-01-0624

Specify Catalog and Serial No. when ordering parts

900 R.P.M.
7.5 AMPS



FOR CAT. NO. 1670-3
(240V) TOOL USE:

16-66-1165 ARMATURE
18-66-1120 FIELD
22-64-4100 CORD SET

FIG.	PART NO.	DESCRIPTION OF PART	NO. REQ.	FIG.	PART NO.	DESCRIPTION OF PART	NO. REQ.
	1	28-50-6111 Bearing Support Housing Assy.		30	02-50-2750 Needle Bearing		
	2	02-04-0940 Ball Bearing		31	06-81-6202 8-32x5/8 Fil. Hd. Brg. Support Hsg. Scr. (4)		
	3	06-81-6700 8-32x1-7/8 Fil. Hd. Field Scr.	(2)	32	45-88-7110 Spring Washer		
	4	06-75-3150 1/4-20x1 L.H. Soc. Hd. Cap Screw		33	16-62-1165 Armature Assy. (incl. fig. 38)		
	5	48-66-3280 Chuck Key		34	42-14-0150 Baffle		
	6	48-66-4040 Key Holder		35	18-62-1120 Field Assy.		
	7	48-66-1380 Chuck		36	23-16-0430 Field Insulator		
	8	45-88-0330 Chuck Spacer Washer		37	06-81-6402 8-32x1 1/8 Fil. Hd. Handle Cover Scr.		
	9	02-04-1050 Ball Bearing		38	34-60-0827 Retaining Ring		
★	10	06-81-5502 8-32x3/8 Comb. Phil. Hd. Sem	(4)	★	39	23-66-1020 Switch	
	11	31-55-0060 Coil Shield		40	06-81-6202 8-32x5/8 Fil. Hd. Handle Cover Scr. (2)		
	12	44-66-5241 Bearing Retainer Plate		41	31-44-0500 R.H. Drill Handle		
	13	02-04-1700 Ball Bearing		42	06-81-7560 12-24x7/8 Fil. Hd. Handle Ret. Scr. (4)		
	14	28-50-6121 Motor Housing Assy.		43	31-44-0510 L.H. Drill Handle		
	15	22-22-0281 Brush Holder Assy.	(2)	44	31-55-0070 Power Cord Shield		
★	16	31-44-1100 Spade Handle		45	43-62-0120 Pipe Handle		
	17	23-44-0130 Brush Retaining Cap	(2)	46	02-50-2020 Needle Bearing		
	18	22-18-0450 Carbon Brush Assy.	(2)	47	45-88-7100 Fiber Thrust Washer		
★	19	06-75-0500 3/8-16x1 Hex Hd. Spade Handle Scr.	(2)	48	36-66-1310 1st. Intermediate Pinion		
	20	38-50-5070 Spindle		49	06-42-0800 Woodruff Key		
	21	06-42-2000 Woodruff Key		50	32-42-1301 1st. Intermediate Gear		
	22	32-75-2210 Spindle Gear		51	02-04-0910 Ball Bearing		
	23	02-50-3170 Needle Bearing		52	06-81-6350 8-32x1 Fil. Hd. Gear Case Cover Scr. (6)		
	24	28-20-1125 Gear Case Cover		53	12-98-7045 Name Plate		
	25	02-50-3180 Needle Bearing		54	06-81-8200 4-36x3/16 Rd. Hd. Name Plate Scr. (6)		
	26	45-88-7095 Fiber Thrust Washer		55	22-64-0386 Cord Set		
	27	36-66-3060 2nd. Intermediate Pinion		56	06-81-8625 6-32x1/4 Ground Scr.		
	28	06-42-1900 Woodruff Key		57	43-62-0242 Handle Grip		
	29	32-44-1190 2nd. Intermediate Gear		58	12-98-7081 Caution Plate (Not Shown)		
				★	59	45-88-0605 Flat Washer (2)	