



SERVICE PARTS LIST

BULLETIN NO.
54-10-4037

SPECIFY CATALOG NO. AND SERIAL NO. WHEN ORDERING PARTS		REVISED BULLETIN	DATE
SINGLE SPEED HOLE HAWG®		54-10-4036	June 2004
CATALOG NO. 1670-1	STARTING SERIAL NO. 472C	WIRING INSTRUCTION 58-01-0626	

EXAMPLE:

00	0
----	---

 Component Parts (Small #) Are Included When Ordering The Assembly (Large #).

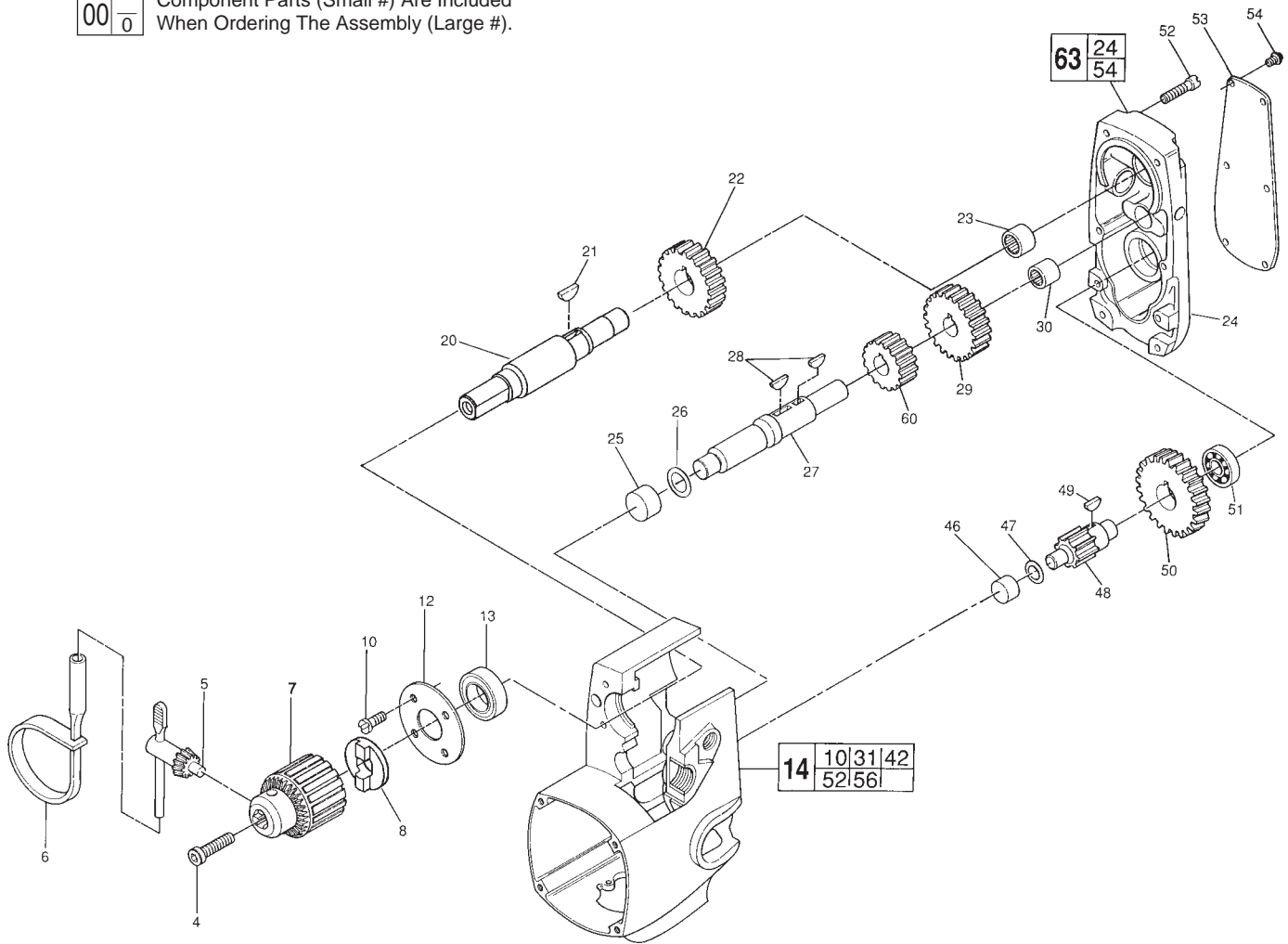


FIG.	PART NO.	DESCRIPTION OF PART	NO. REQ.
★ 4	06-75-3155	1/4-20 x 1" L.H. Soc. Hd. Cap Screw	(1)
5	48-66-3280	Chuck Key	(1)
6	48-66-4040	Key Holder	(1)
★ 7	48-66-1481	Chuck	(1)
★ 8	43-78-0670	Drive Hub	(1)
10	06-82-7252	8-32 x 3/8" Pan Hd. T-20 Screw	(4)
12	44-66-5241	Bearing Retainer Plate	(1)
13	02-04-1700	Ball Bearing	(1)
14	28-50-6129	Motor Housing Assembly	(1)
★ 20	38-50-5075	Spindle	(1)
21	06-42-2000	Woodruff Key	(1)
22	32-75-2210	Spindle Gear	(1)
23	02-50-3170	Needle Bearing	(1)
24	28-20-1252	Gear Case Cover	(1)
25	02-50-3180	Needle Bearing	(1)
26	45-88-7095	Fiber Thrust Washer	(1)
27	36-66-4400	2nd. Intermediate Shaft	(1)
28	06-42-1900	Woodruff Key	(2)
29	32-44-1190	2nd. Intermediate Gear	(1)
30	02-50-2750	Needle Bearing	(1)
46	02-50-2020	Needle Bearing	(1)
47	45-88-7100	Fiber Thrust Washer	(1)
48	36-66-1310	1st. Intermediate Pinion	(1)

SEE REVERSE SIDE

FIG.	PART NO.	DESCRIPTION OF PART	NO. REQ.
49	06-42-0800	Woodruff Key	(1)
50	32-42-1301	1st. Intermediate Gear	(1)
51	02-04-0910	Ball Bearing	(1)
52	06-82-5362	8-32 x 1" Pan Hd. T-20 Screw	(6)
53	12-98-7295	Service Nameplate	(1)
54	06-82-5266	4-40 x 1/4" Pan Hd. T-10 Screw	(6)
60	32-40-1970	2nd Intermediate Gear	(1)
63	28-20-1127	Gear Case Assembly	(1)

- FIG. NOTES**
 4 Torque to 150-155 in./lbs.
FIG. LUBRICATION
 24 3-1/2 oz. Type "E" Grease, No. 49-08-4122.
 Prelube all needle bearings with Type "E" Grease, No. 49-08-4122.

MILWAUKEE ELECTRIC TOOL CORPORATION
 13135 W. LISBON RD., BROOKFIELD, WI 53005
 Drwg. 1

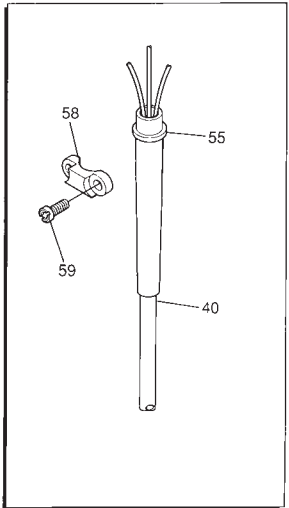
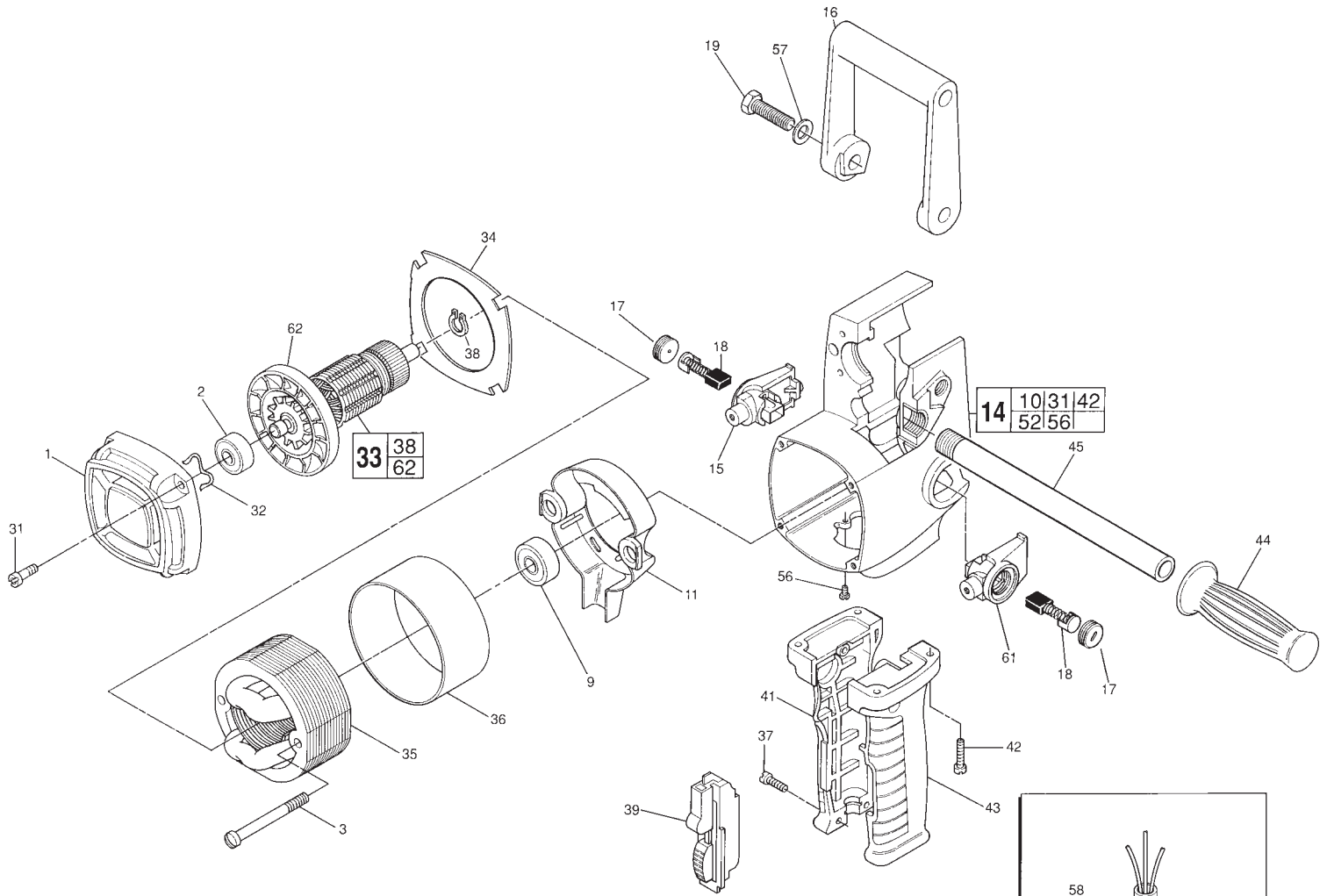


FIG.	PART NO.	DESCRIPTION OF PART	NO. REQ.
	1	28-50-6235 Bearing Support Housing	(1)
	2	02-04-0913 Ball Bearing	(1)
	3	06-82-7410 8-16 x 1-7/8" Pan Hd. Plastite T-20 Screw	(2)
	9	02-04-1050 Ball Bearing	(1)
	11	31-55-0065 Coil Shield	(1)
	14	28-50-6129 Motor Housing Assembly	(1)
	15	22-22-1350 R.H. Brush Holder Assembly	(2)
	16	31-44-1100 Spade Handle	(1)
	17	23-44-0220 Brush Retaining Cap	(2)
	18	22-18-0670 Carbon Brush Assembly	(2)
	19	06-75-0500 3/8-16 x 1" Hex Hd. Spade Handle Screw	(2)
	31	06-82-5346 8-32 x 3/4" Pan Hd. T-20 Screw	(4)
	32	45-88-7110 Spring Washer	(1)
	33	16-50-1076 Armature Assembly	(1)
	34	42-14-0150 Baffle	(1)
	35	18-50-0076 Field Assembly	(1)
	36	23-16-0425 Field Insulator	(1)
	37	06-82-7326 8-16 x 1" Plastite T-20 Screw	(3)
	38	34-60-0827 Retaining Ring	(1)
	39	23-66-1020 Switch	(1)

FIG.	PART NO.	DESCRIPTION OF PART	NO. REQ.
	40	22-64-0121 Cord Set	(1)
	41	31-44-1441 R.H. Drill Handle	(1)
	42	06-82-5382 1/4-20 x 3/4" Pan Hd. Taptite T-27 Screw	(4)
	43	31-44-1446 L.H. Drill Handle	(1)
	44	43-62-0246 Handle Grip	(1)
	45	43-62-0122 Pipe Handle	(1)
	55	44-76-0150 Cord Protector	(1)
	56	06-95-5150 6-32 x 1/4" Ground Screw	(1)
	57	45-88-0605 Flat Washer	(2)
	58	31-17-0155 Cord Clamp	(1)
	59	06-82-7270 8-16 x 5/8" Pan Hd. Slit. T-20 Plastite Screw	(2)
	61	22-22-1355 L.H. Brush Holder Assembly	(1)
	62	22-84-0660 Fan Assembly	(1)
	10-98-5986	Caution Label	(1)