



# SERVICE PARTS LIST

**BULLETIN NO.**  
54-10-4029

SPECIFY CATALOG NO. AND SERIAL NO. WHEN ORDERING PARTS		REVISED BULLETIN 54-10-4028	DATE Aug. '84
<b>SINGLE SPEED HOLE HAWG</b>			
<b>CATALOG NO. 1670-1</b>	<b>STARTING SERIAL NO. 472-14701</b>	<b>WIRING INSTRUCTION 58-01-0625</b>	
<b>CAT. NO. 1670-6</b>	<b>START SER. NO. 472-14701</b>	<b>BILINGUAL LABEL 10-98-6400</b>	

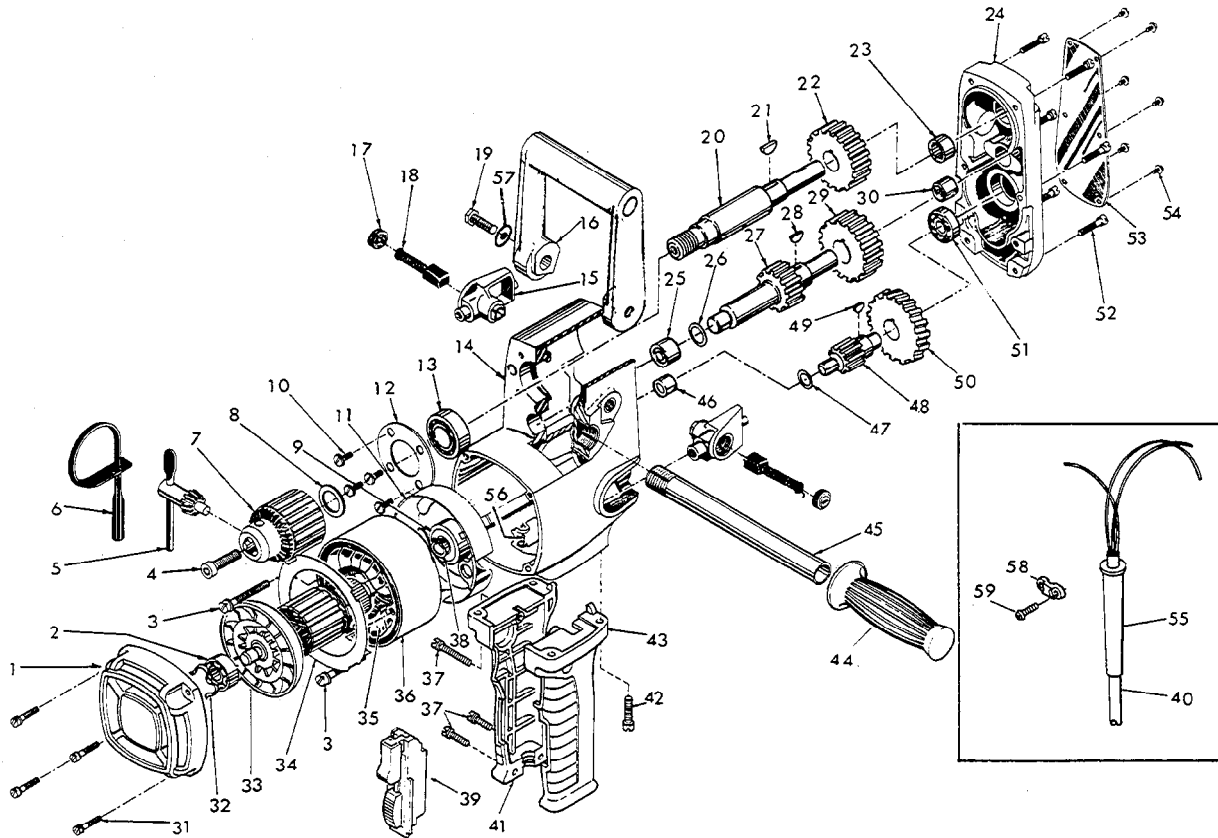


FIG.	PART NO.	DESCRIPTION OF PART	NO. REQ.	FIG.	PART NO.	DESCRIPTION OF PART	NO. REQ.
1	28-50-6230	Bearing Support Housing	(1)	32	45-88-7110	Spring Washer	(1)
2	02-04-0940	Ball Bearing	(1)	33	16-50-0070	Armature Assy. (Incl. 22-84-0660 Fan & Fig. 38)	(1)
3	06-95-3285	8-16 x 1-13/16" Plastite Pan Hd. Screw	(2)	34	42-14-0150	Baffle	(1)
4	06-75-3150	1/4-20 x 1 L.H. Soc. Hd. Cap Screw	(1)	35	18-50-0070	Field Assy.	(1)
5	48-66-3280	Chuck Key	(1)	36	23-16-0425	Field Insulator	(1)
6	48-66-4040	Key Holder	(1)	★ 37	06-95-0219	8-16 x 7/8" Plastite Screw	(3)
7	48-66-1380	Chuck	(1)	38	34-60-0827	Retaining Ring	(1)
8	45-88-0330	Chuck Spacer Washer	(1)	39	23-66-1020	Switch	(1)
9	02-04-1050	Ball Bearing	(1)	★ 40	22-64-0121	Cord Set	(1)
10	06-81-5502	8-32 x 3/8 Comb. Phil. Hd. Sem.	(4)	★ 41	31-44-1290	R.H. Drill Handle	(1)
★ 11	31-55-0065	Coil Shield	(1)	42	06-81-7560	12-24 x 7/8 Fil. Hd. Handle Ret. Scr.	(4)
12	44-66-5241	Bearing Retainer Plate	(1)	★ 43	31-44-1295	L.H. Drill Handle	(1)
13	02-04-1700	Ball Bearing	(1)	★ 44	43-62-0246	Handle Grip	(1)
14	28-50-6125	Motor Housing Assy.	(1)	45	43-62-0120	Pipe Handle	(1)
15	22-22-0285	Brush Holder Assy.	(2)	46	02-50-2020	Needle Bearing	(1)
16	31-44-1100	Spade Handle	(1)	47	45-88-7100	Fiber Thrust Washer	(1)
17	23-44-0130	Brush Retaining Cap	(2)	48	36-66-1310	1st. Intermediate Pinion	(1)
18	22-18-0450	Carbon Brush Assy.	(2)	49	06-42-0800	Woodruff Key	(1)
19	06-75-0500	3/8-16 x 1 Hex Hd. Spade Handle Scr.	(2)	50	32-42-1301	1st. Intermediate Gear	(1)
20	38-50-5070	Spindle	(1)	51	02-04-0910	Ball Bearing	(1)
21	06-42-2000	Woodruff Key	(1)	52	06-81-6350	8-32 x 1 Fil. Hd. Gear Case Cover Scr.	(6)
22	32-75-2210	Spindle Gear	(1)	53	12-98-7045	Nameplate	(1)
23	02-50-3170	Needle Bearing	(1)	★ 54	06-81-8400	4-40 x 1/4" Rd. Hd. Nameplate Scr.	(6)
★ 24	28-20-1123	Gear Case Cover	(1)	★ 55	44-76-0150	Cord Protector	(1)
25	02-50-3180	Needle Bearing	(1)	56	06-81-8625	6-32 x 1/4 Ground Scr.	(1)
26	45-88-7095	Fiber Thrust Washer	(1)	57	45-88-0605	Flat Washer	(2)
27	36-66-3060	2nd. Intermediate Pinion	(1)	★ 58	31-17-0156	Cord Clamp	(1)
28	06-42-1900	Woodruff Key	(1)	★ 59	06-95-0216	8-16 x 5/8" Plastite Screw	(2)
29	32-44-1190	2nd. Intermediate Gear	(1)	60	10-98-5987	Caution Label (Not Shown)	(1)
30	02-50-2750	Needle Bearing	(1)			Omit For Canadian Tools	
31	06-81-6202	8-32 x 5/8 Fil. Hd. Brg. Support Hsg. Scr.	(4)				

**MILWAUKEE ELECTRIC TOOL CORPORATION**  
13135 W. LISBON RD., BROOKFIELD, WIS. 53005