



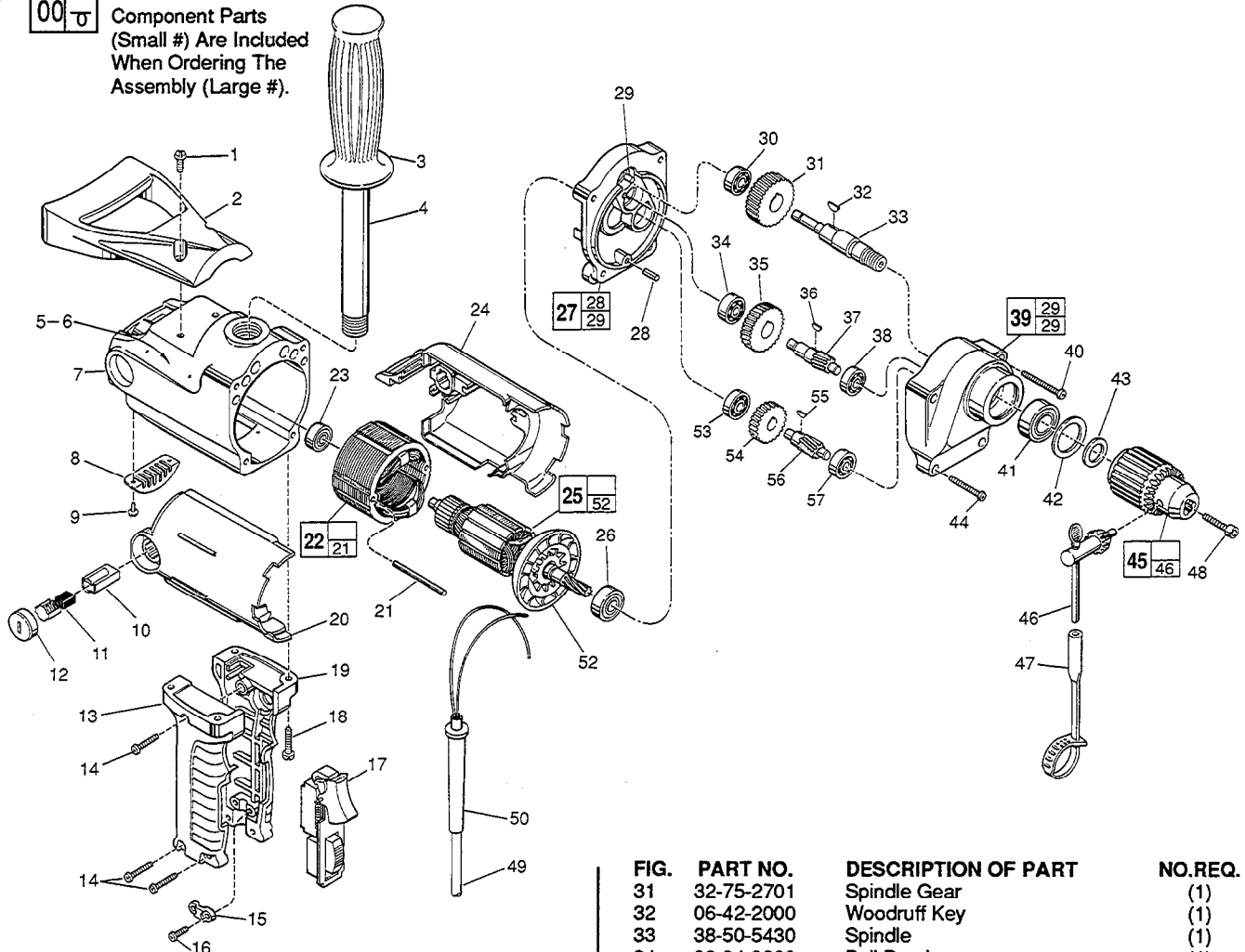
SERVICE PARTS LIST

BULLETIN NO.
54-10-0136

| | | | |
|--|--------|--------------------|----------|
| SPECIFY CATALOG NO. AND SERIAL NO. WHEN ORDERING PARTS | | REVISED BULLETIN | DATE |
| 240 V. 1/2" REVERSING COMPACT DRILL | | 54-10-0135 | Nov. '96 |
| CATALOG NO. | 1662-3 | WIRING INSTRUCTION | |
| STARTING SERIAL NO. | 720B | 58-01-0539 | |



EXAMPLE:
Component Parts
(Small #) Are Included
When Ordering The
Assembly (Large #).



| FIG. | PART NO. | DESCRIPTION OF PART | NO.REQ. |
|------|----------|--|---------|
| | 1 | 12-24 x 3/4" Pan Hd. Slit. Tapt. T-27 | (2) |
| | 2 | Spade Handle | (1) |
| | 3 | Handle Grip | (1) |
| | 4 | Pipe Handle | (1) |
| | 5 | Nameplate Blank | (1) |
| | 6 | 6 x 1/4" Nameplate Screw | (2) |
| ★ | 7 | Motor Housing | (1) |
| | 8 | Cover Plate | (1) |
| | 9 | 6-32 x 1/4" Pan Hd. Slit. Tapt. T-15 | (2) |
| | 10 | Brush Tube | (2) |
| | 11 | Carbon Brush Assembly | (2) |
| | 12 | Brush Retaining Screw | (2) |
| ★ | 13 | Right Hand Handle Half | (1) |
| | 14 | 8-16 x 1" Plastite T-20 Screw | (3) |
| | 15 | Cord Clamp | (1) |
| | 16 | 8-16 x 5/8" Slit. Pan Hd. Plast. T-20 | (2) |
| | 17 | On-Off Reversing Switch | (1) |
| ★ | 18 | 1/4-20 x 3/4" Pan Hd. Slit. Taptite T-27 | (4) |
| ★ | 19 | Left Hand Handle Half | (1) |
| | 20 | Motor Insulator Right Half | (1) |
| | 21 | Grooved Pin | (2) |
| | 22 | 240 V. Field | (1) |
| | 23 | Ball Bearing | (1) |
| | 24 | Motor Insulator - Left Half | (1) |
| | 25 | 240 V. Armature | (1) |
| | 26 | Ball Bearing | (1) |
| | 27 | Diaphragm Assembly | (1) |
| | 28 | 3/16 x 1/2" Groove Pin | (1) |
| | 29 | Bearing Retaining Slug | (2) |
| | 30 | Ball Bearing | (1) |

| FIG. | PART NO. | DESCRIPTION OF PART | NO.REQ. |
|------|----------|--|---------|
| | 31 | 32-75-2701 Spindle Gear | (1) |
| | 32 | 06-42-2000 Woodruff Key | (1) |
| | 33 | 38-50-5430 Spindle | (1) |
| | 34 | 02-04-0820 Ball Bearing | (1) |
| | 35 | 32-44-1161 Intermediate Gear | (1) |
| | 36 | 06-42-0800 Woodruff Key | (1) |
| | 37 | 36-66-2252 Intermediate Shaft | (1) |
| | 38 | 02-04-0820 Ball Bearing | (1) |
| | 39 | 28-14-1715 Gear Case Assembly | (1) |
| | 40 | 06-82-7784 10-24 x 1-7/16" Tapt. T-27 | (2) |
| | 41 | 02-04-1567 Ball Bearing | (1) |
| | 42 | 34-80-2500 Retaining Ring | (1) |
| | 43 | 45-88-0330 Chuck Washer | (1) |
| | 44 | 06-82-7752 10-24 x 1-3/16" Taptite Sem.T-27 | (2) |
| | 45 | 48-66-1381 1/2" Reversing Chuck | (1) |
| | 46 | 48-66-3280 Chuck Key | (1) |
| | 47 | 48-66-4040 Key Holder | (1) |
| | 48 | 06-75-3150 1/4-20 x 1" Skt. Hd. Cap Screw-L.H.Thread | (1) |
| | 49 | 22-64-2230 Cord Set | (1) |
| | 50 | 44-76-0150 Cord Protector | (1) |
| | 52 | 22-84-0660 Fan | (1) |
| | 53 | 02-04-0820 Ball Bearing | (1) |
| | 54 | 32-42-1221 Intermediate Gear | (1) |
| | 55 | 06-42-0800 Woodruff Key | (1) |
| | 56 | 36-66-2201 Intermediate Shaft | (1) |
| | 57 | 02-04-0820 Ball Bearing | (1) |
| | | 10-98-5230 Warning Label | (1) |

FIG. LUBRICATION
39 5-1/2 Oz. Type "A" Grease, 49-08-0800.

MILWAUKEE ELECTRIC TOOL CORPORATION
13135 W. LISBON RD., BROOKFIELD, WI 53005