



SERVICE PARTS LIST

BULLETIN NO.
54-10-0133

SPECIFY CATALOG NO. AND SERIAL NO. WHEN ORDERING PARTS		REVISED BULLETIN	DATE
240 V. 1/2" REVERSING COMPACT DRILL		54-10-0132	FEB. '88
CATALOG NO. 1662-3	STARTING SERIAL NO. 720-1765	WIRING INSTRUCTION	
		58-01-0539	

00/0

EXAMPLE:
Component Parts
(Small #) Are Included
When Ordering The
Assembly (Large #).

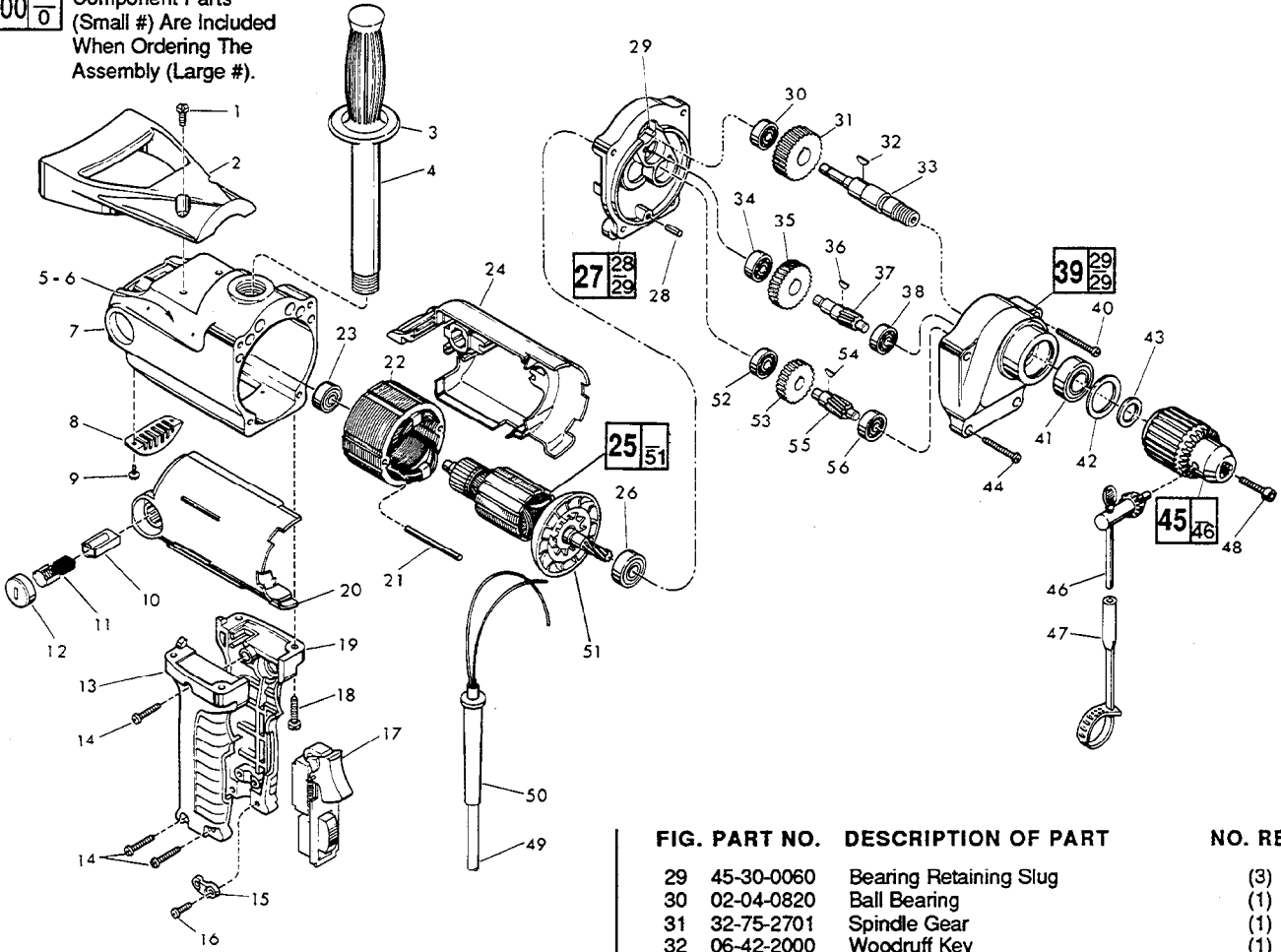


FIG. PART NO.	DESCRIPTION OF PART	NO. REQ.
1	06-95-0460 12-24x3/4" Pan Hd. Taptite Sem.	(2)
2	31-44-1370 Spade Handle	(1)
3	43-62-0246 Handle Grip	(1)
4	43-62-0235 Pipe Handle	(1)
5	12-99-0390 Nameplate Blank	(1)
6	06-85-0200 6x1/4" Nameplate Screw	(2)
7	28-50-6270 Motor Housing	(1)
8	44-66-5510 Cover Plate	(1)
9	06-95-2100 6-32x1/4" Pan Hd. Taptite Sem.	(2)
10	22-20-0660 Brush Tube	(2)
11	22-18-0680 Carbon Brush Assembly	(2)
12	23-44-0180 Brush Retaining Screw	(2)
13	31-44-1440 Right Hand Handle Half	(1)
14	06-82-7326 8-16x1" Plastite Screw	(3)
15	31-17-0155 Cord Clamp	(1)
16	06-95-0216 8-16x5/8" Plastite Screw	(2)
17	23-66-1420 On-Off Reversing Switch	(1)
18	06-95-0460 12-24x3/4" Pan Hd. Taptite Sem.	(4)
19	31-44-1445 Left Hand Handle Half	(1)
20	23-16-1275 Motor Insulator - Right Half	(1)
21	06-65-1230 Grooved Pin	(2)
22	18-56-0062 240 V. Field	(1)
23	02-04-0847 Ball Bearing	(1)
24	23-16-1276 Motor Insulator - Left Hand	(1)
25	16-56-0060 240 V. Armature	(1)
26	02-04-1040 Ball Bearing	(1)
27	28-28-1700 Diaphragm	(1)
28	06-65-0625 3/16x1/2" Groove Pin	(1)

FIG. PART NO.	DESCRIPTION OF PART	NO. REQ.
29	45-30-0060 Bearing Retaining Slug	(3)
30	02-04-0820 Ball Bearing	(1)
31	32-75-2701 Spindle Gear	(1)
32	06-42-2000 Woodruff Key	(1)
33	38-50-5430 Spindle	(1)
34	02-04-0820 Ball Bearing	(1)
35	32-44-1161 Intermediate Gear	(1)
36	06-42-0800 Woodruff Key	(1)
37	36-66-2252 Intermediate Shaft	(1)
38	02-04-0820 Ball Bearing	(1)
39	28-14-1715 Gear Case Assy.	(1)
40	06-95-1650 10-24x1-7/16" Fil. Hd. Taptite Sem.	(2)
41	02-04-1567 Ball Bearing	(1)
42	34-80-2500 Retaining Ring	(1)
★ 43	45-88-0330 Chuck Washer	(1)
44	06-95-1625 10-24x1-3/16" Fil. Hd. Taptite Sem.	(2)
★ 45	48-66-1381 1/2" Reversing Chuck	(1)
46	48-66-3280 Chuck Key	(1)
47	48-66-4040 Key Holder	(1)
48	06-75-3150 1/4-20x1" Skt. Hd. Cap Screw - L.H. Thread	(1)
49	22-64-2230 Cord Set	(1)
50	44-76-0150 Cord Protector	(1)
51	22-84-0660 Fan	(1)
52	02-04-0820 Ball Bearing	(1)
53	32-42-1221 Intermediate Gear	(1)
54	06-42-0800 Woodruff Key	(1)
55	36-66-2201 Intermediate Shaft	(1)
56	02-04-0820 Ball Bearing	(1)
	10-98-5230 Warning Label	(1)

FIG. LUBRICATION
39 5-1/2 Oz. Type "A" Grease, 49-08-0800.

MILWAUKEE ELECTRIC TOOL CORPORATION
13135 W. LISBON RD., BROOKFIELD, WI 53005