

# **POWERMATIC®**

## **WMH | TOOL GROUP**

### **Operating Instructions and Parts Manual 10-inch Table Saw**

**Model 66**



shown with optional extension table and legs,  
mobile base, and motor cover

#### **WMH TOOL GROUP**

2420 Vantage Drive  
Elgin, Illinois 60123  
Ph.: 800-274-6848  
[www.wmhtoolgroup.com](http://www.wmhtoolgroup.com)

**Part No. M-0460231NT**  
Revision G 1/05  
Copyright © WMH Tool Group

## Optional Accessories

709689	Scoring Saw attachment retrofit kit.
2042335	Mobile base extended for Model 66 Saw (closed stand).
2042336	Mobile base standard (fits saw stand only).
2042342	Mobile base open bottom for Model 66 Saw (open stand).
2042372	Mobile base with 30" fence with Rout-R-Lift.
2195042K	Accu-Fence® and rail system for ripping 50" to right and 12" to left of saw blade.
2195079	Accu-Fence® - fence assembly only, no rails - for Model 66.
2195049K	Accu-Fence® and rail system for Model 66 w/sliding table.
2195063K	Accu-Fence® and rail system for ripping 30" to right and 12" to left of saw blade.
2250116	Blade guard and Splitter Assembly. Wt. 10 lbs. (4.5 kg).
2328001	Table Insert.
2328002	Dado Insert Plate for 8" dado head. Wt. 1 lb. (.45 kg).
2726008	Replacement side panel kit for Model 66 Accu-Fence®.
2440020	Rear Lock Assembly for Accu-Fence®.
2471015	Miter Gauge. Wt. 4 lbs. (1.8kg).
3104663	Motor cover (old style).
3104667	Motor cover for serial # 95662522 and up
3186008	8" (203.2 mm) Cast Iron Extension Wing.
6080143	Blade 35 tooth carbide tip.
6080144	Blade 50 tooth carbide tip.
6253118K	Sliding Table Retrofit Kit, 50" crosscut capacity.
6284600	Tenoning Jig.
2328003	Zero Clearance Insert.
6441000	Set of 2 legs for 6827028 table.
6682004	Rout-R-Lift with deluxe fence.
6827028	Formica topped table for 50" capacity T-square system.
6827031	Table 28" x 35-3/8" with Rout-R-Lift hole for model 66 saw.
6827032	Table 28" x 24" with Rout-R-Lift hole for model 66 saw.

## Replacement Parts

Replacement parts are listed on the following pages. To order parts or reach our service department, call 1-800-274-6848 between 7:00 a.m. and 6:00 p.m. (CST), Monday through Friday. Having the Model Number and Serial Number of your machine available when you call will allow us to serve you quickly and accurately.

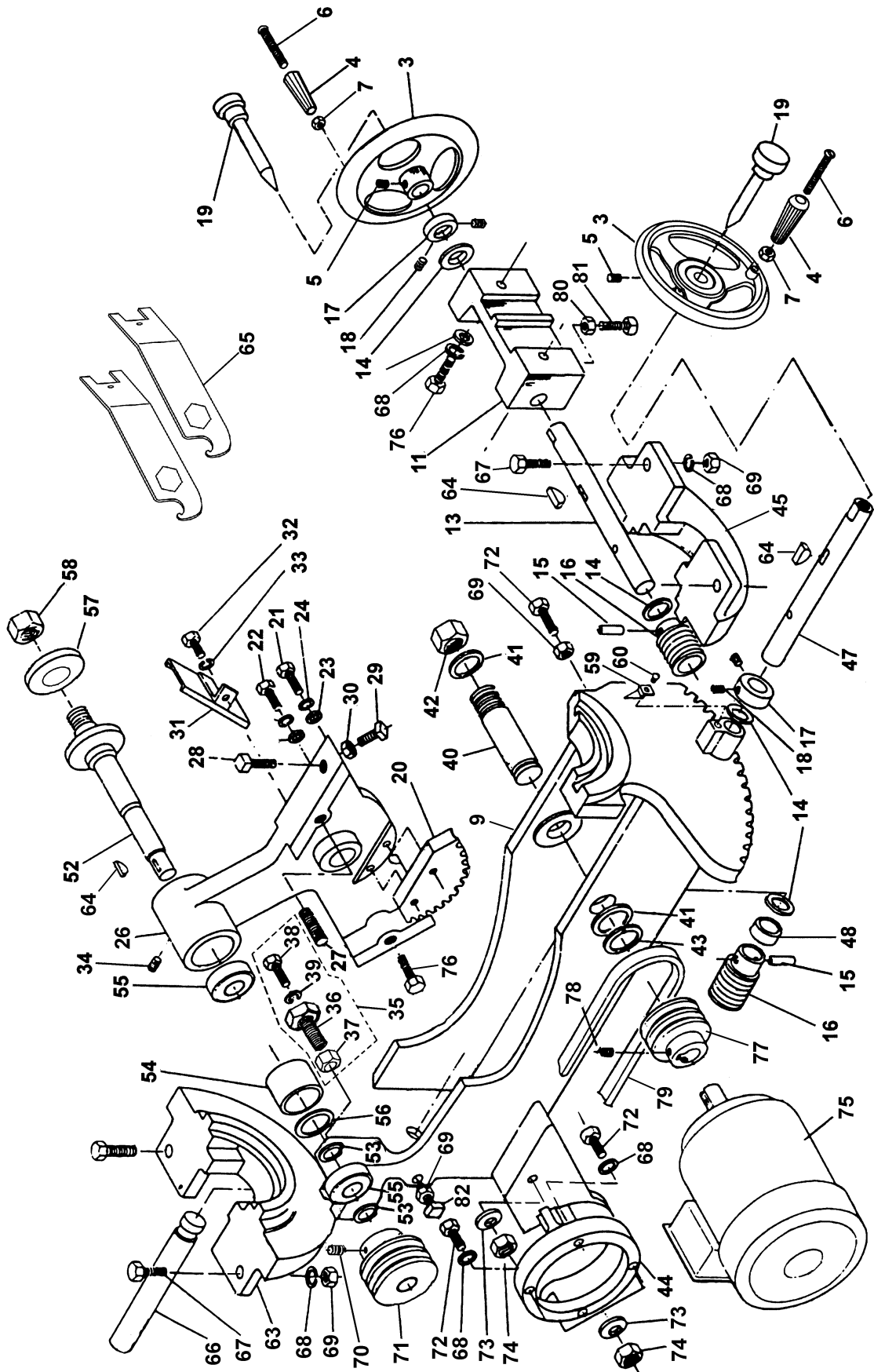
## Parts List: Trunnion Assembly

Index No.	Part No.	Description	Size	Qty
	2810012	Trunnion Assembly (Items 1 thru 65)		1
	2271035	Handwheel Assembly (Items 2 thru 7)		2
2	2271036	Handle Assembly (Items 4, 6, 7)		2
3	3271084	Handwheel	8" diameter	2
4	3271085	Handle		2
5	TS-1524031	Socket Set Screw*	M8 x 12	2
6	6716221	Slotted Fillister Head Cap Screw*	M10 x 95.25	2
7	6516029	Hex Jam Nut*	M10	2
8	2810013	Center Trunnion Sub-Assembly (Items 9, 25, 29, 30, 35, 40 thru 43, and 46)		1
9	3810041	Center Trunnion with Fasteners (Items 29, 30, 59, 60)		1
	2701010	Tilting Bracket Assembly (Items 11 thru 18, 64)		1
	2865001	Tilting Shaft Assembly (Items 13, 15, 16)		1
11	3065006	Tilting Bracket		1
13	3701031	Tilting Shaft		1
14	6861901	Nylon Washer*	E12, 3/4 I.D.	4
15	6626080	Spring Pin*	5mm dia. x 28	2
16	3865001	Worm		2
17	3096247	Shaft Collar with Fasteners		2
18	TS-1520411	Socket Set Screw*	M8 x 8	4
19	3582222	Shaft Locking Pin		2
20	3237360	Gear Segment with Fasteners (Items 21 thru 24)		1
21	TS-1491061	Hex Head Cap Screw*	M10 x 40	1
22	TS-2210451	Hex Head Cap Screw*	M10 x 45	1
23	TS-1550071	Flat Washer*	M10	2
24	TS-2361101	Lock Washer*	M10	2
25	2025039	Bearing Arm Assembly (Items 26 thru 34)		1
26	3025265	Bearing Arm		1
27	6714273	Stud*	M12 x 67	1
28	6714274	Square Head Set Screw*	M10 x 25	1
29	TS-149105	Hex Head Cap Screw*	M10 x 35	1
30	6516029	Hex Jam Nut	M10	1
31	2087001	Dust Chute		1
32	TS-1490011	Hex Cap Screw*	M8 x 12	1
33	TS-1551051	Lock Washer*	M8	1
34	TS-1525021	Socket Set Screw*	M10 x 12	1
35	2690067	Screw Assembly Splitter* (Items 36 thru 39)		1
36	3691046	Adjusting Screw		1
37	6572007	Spanner Nut	M20 x 1.5	1
38	TS-1491021	Hex Head Cap Screw	M10 x 20	1
39	TS-2361101	Lock Washer	M10	1
40	3711005	Pivot Shaft		1
41	6811327	Spacer		2
42	6578006	Hex Nut*	1 <sup>1</sup> / <sub>8</sub> -12	1
43	6670092	Retainer Ring*		1
44	3480015	Motor Mount		1
45	3810023	Front Trunnion		1
46	2865002	Raising Shaft Assembly (Items 15, 16, 47)		1
47	3701032	Raising Shaft		1
48	3735075	Spacer		1
	2024018	Arbor Assembly (Items 52 thru 58)		1
52	3700123	Arbor Shaft		1
53	6670015	Retainer Ring	#5100-78	2
54	3737214	Spacer		1
55	6060009	Bearing NSK	6204	2
56	6863004	Wavy Washer	W1819-020	1
57	3838006	Collar		1

Index No.	Part No.	Description	Size	Qty
58	3530006	Nut	5/8-12 ACME	1
59	3604036	Pointer		1
60	6780015	Button Head Socket Cap Screw*	M4 x 10	1
61	6780016	Square Head Set Screw*	M10 x 65	1
63	3810040	Rear Trunnion		1
64	6420002	Woodruff Key	#608	3
65	3868032	Arbor Wrench		2
66	3700090	Splitter Support Shaft		1
67	6716035	Hex Head Screw	3/8-16 x 1-3/4	4
68	6861300	Lock Washer	3/8	10
69	6516001	Hex Nut	3/8-16	6
70	6714159	Socket Set Screw	1/4-20 x 3/8	1
71	6807132	Arbor Sheave	2-Groove	1
72	6716031	Hex Head Screw	3/8-16 x 1	1
73	6861501	Flat Washer	1/2	2
74	6518001	Hex Nut	1/2-13	2
75	6472028	Electric Motor, 3HP, 1Ph, 3600 RPM, 230V, 145 TC Frame		1
	6472033	Electric Motor, 3HP, 1Ph, 3600 RPM, 230V, 145 TC Frame (50Hz)		
	6471720	Electric Motor, 2HP, 3Ph, 3600 RPM, 230/460V, 145 TC Frame		
	6471723	Electric Motor, 2HP, 1Ph, 3600 RPM, 115/230V, 145 TC Frame		
	6472024	Electric Motor, 3HP, 3Ph, 3600 RPM, 200V, 147 TC Frame		
	6472025	Electric Motor, 3HP, 3Ph, 3600 RPM, 230/460V, 145 TC Frame		
	6472307	Electric Motor, 5HP, 3Ph, 3600 RPM, 230/460V, 184 C Frame		
	6472335	Electric Motor, 5HP, 1Ph, 3600 RPM, 230V, 184 C Frame		
76	6718017	Hex Head Cap Screw	1/2-13 x 1-3/4	1
77	6807133	Motor Sheave	2-Groove	1
78	6715013	Socket Set Screw	5/16-18 x 3/8	1
79	6077225	Belt (2 required)		2
80	6516009	Hex Jam Nut	3/8-16	1
81	6716079	Square Head Screw	3/8-16 x 1	1
82	6716082	Square Head Screw	3/8-16 x 2-1/2	1
	2380019	Hardware Kit* (not shown)		

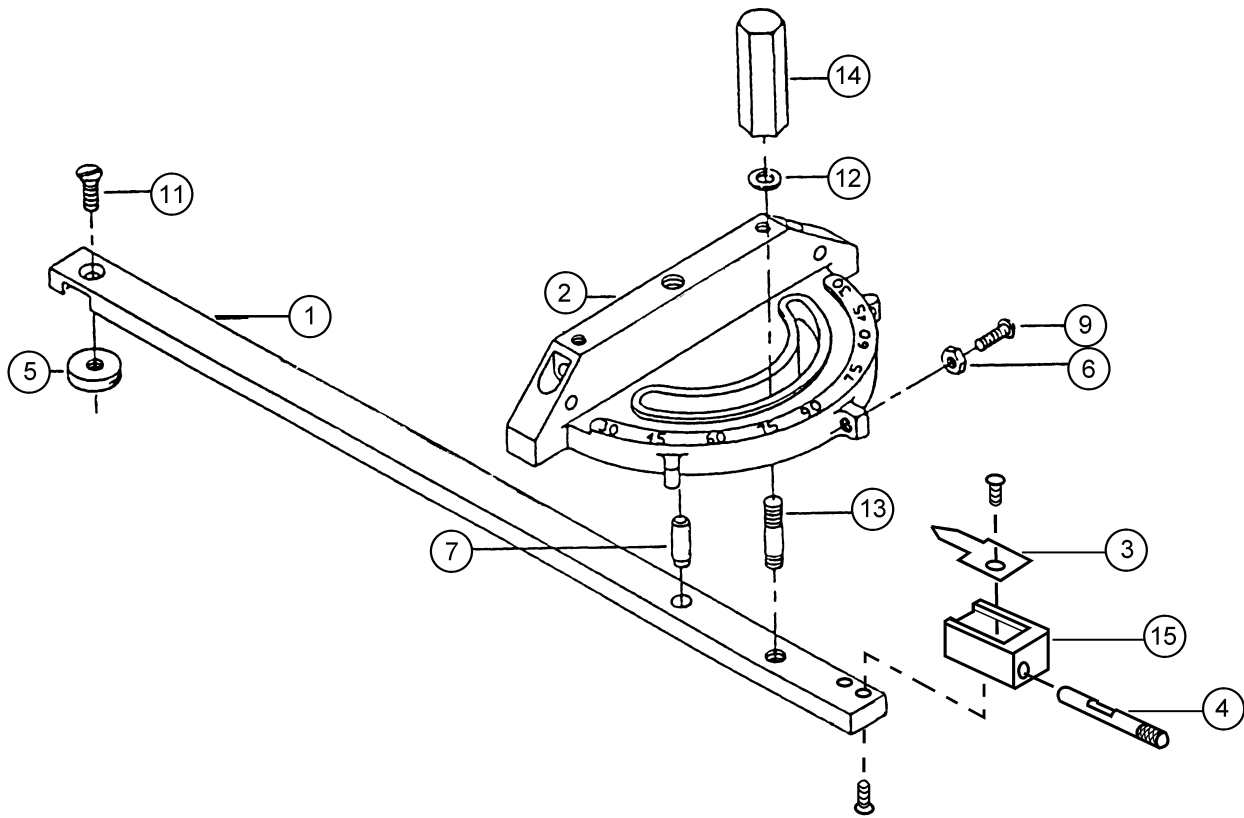
\* Items included with hardware kit.

# Trunnion Assembly



## Parts List: Miter Gauge

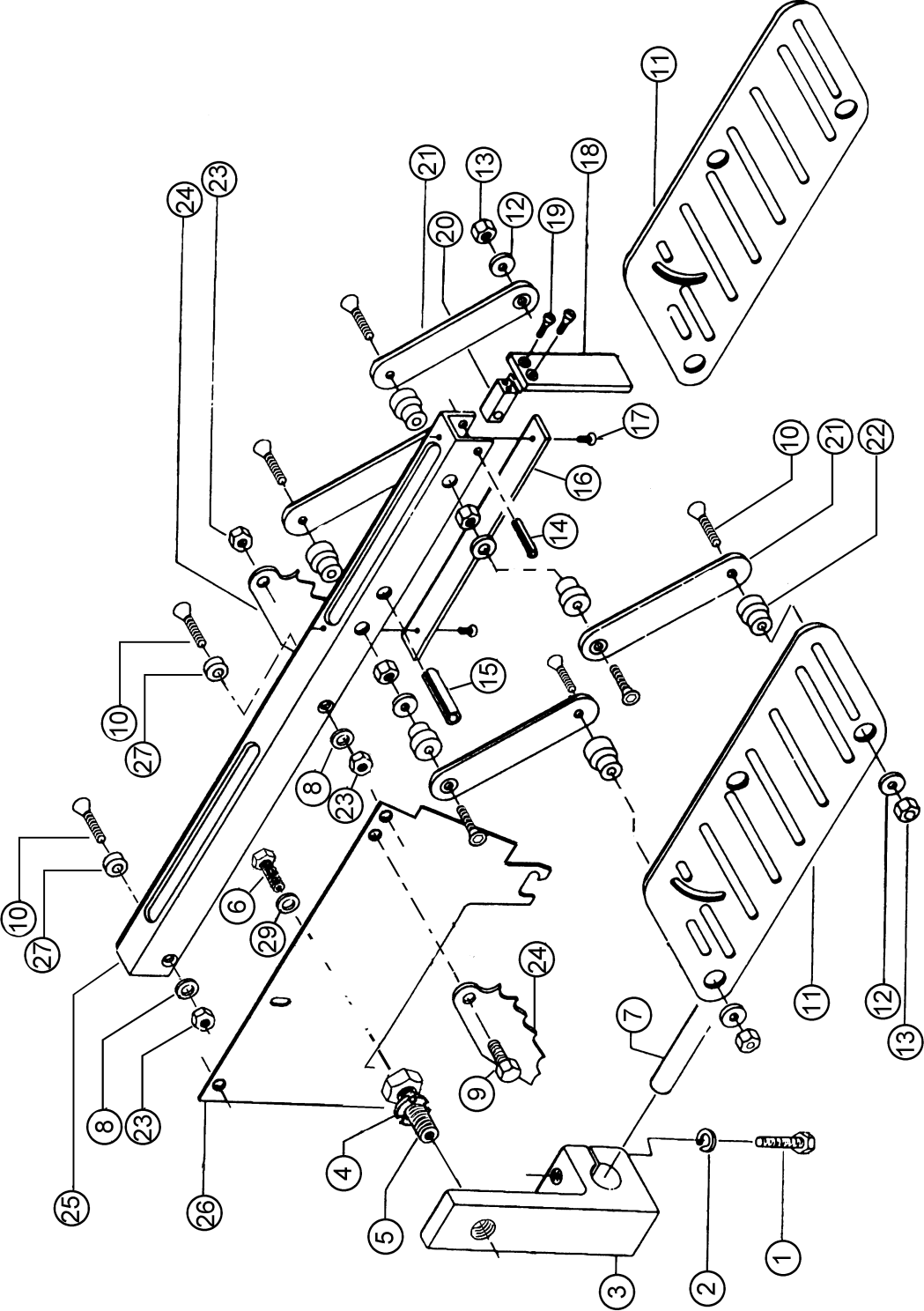
Index No.	Part No.	Description	Size	Qty
.....	2471015	Mitre Gauge Assembly (Items 1 Thru 14)	.....	1
1	3044053	Mitre Gauge Bar	.....	1
2	3230038	Mitre Gauge	.....	1
3	3604035	Mitre Gauge Pointer	.....	1
4	3585221	Stop Pin	.....	1
5	3841202	Mitre Gauge Bar Washer	.....	1
6	6506001	Hex Nut	# 6-32	3
7	6623012	Dowel Pin	1/4 x 1	1
9	6706015	Fillister Head Machine Screw	6-32 x 5/8	3
11	6714053	Flat Head Cap Screw	1/4-20 x 3/8	1
12	6861101	Plain Flat Washer	1/4	1
13	3695221	Locking Screw	1/4 x 3-3/8	1
14	3268050	Mitre Gauge Handle Knob	.....	1
15	3055435	Pointer Block	.....	1



## Parts List: Splitter and Guard Assembly

Index No.	Part No.	Description	Size	Qty
	2787008	Splitter Rear Support Assembly (Items 1 thru 7)		1
1	6715034	Hex Head Cap Screw	5/16-18 x 1-1/4	1
2	6861200	Lock Washer	5/16	1
3	3776050	Splitter Rear Support		1
4	6572007	Spanner Lock Nut	3/4-16	1
5	3690232	Adjustment Screw	3/4-16 x 1-1/2	1
6	2406001	Knob Assembly		1
7	3700090	Splitter Support Shaft		1
	2250116	Guard and Splitter Assembly (Items 8 thru 28)		1
8	6851101	Flat Washer	1/4	2
9	6714158	Hex Head Cap Screw	1/4-20 x 5/8	1
10	6714192	Flat Head Socket Screw	1/4 x 20 x 7/8	8
11	3250112	Blade Guard		2
12	3838015	Pivot Washer		4
13	6514012	Lock Nut	1/4-20	4
14	6626029	Spring Pin	3/16 x 1	1
15	6626050	Spring Pin	3/8 x 1-3/4	1
16	3720018	Guard Shield		1
17	6710032	Round Head Machine Screw	No. 10-24 x 1/4	2
18	3720017	Front Shield		1
19	6714053	Flat Head Machine Screw	No. 10-24 x 3/8	2
20	3055095	Pivot Block		1
21	3025074	Pivot Arm		4
22	3070108	Pivot Bushing		8
23	6514001	Hex Nut	1/4-20	2
24	3581006	Anti-kickback Pawl		2
25	3044307	Splitter Bar		1
26	3750011	Splitter		1
27	3735203	Spacer		2
28	3837206	Washer		4
29	6861301	Flat Plain Washer	3/8	1
30	3330285	Caution Label (not shown)		1

# Splitter and Guard Assembly

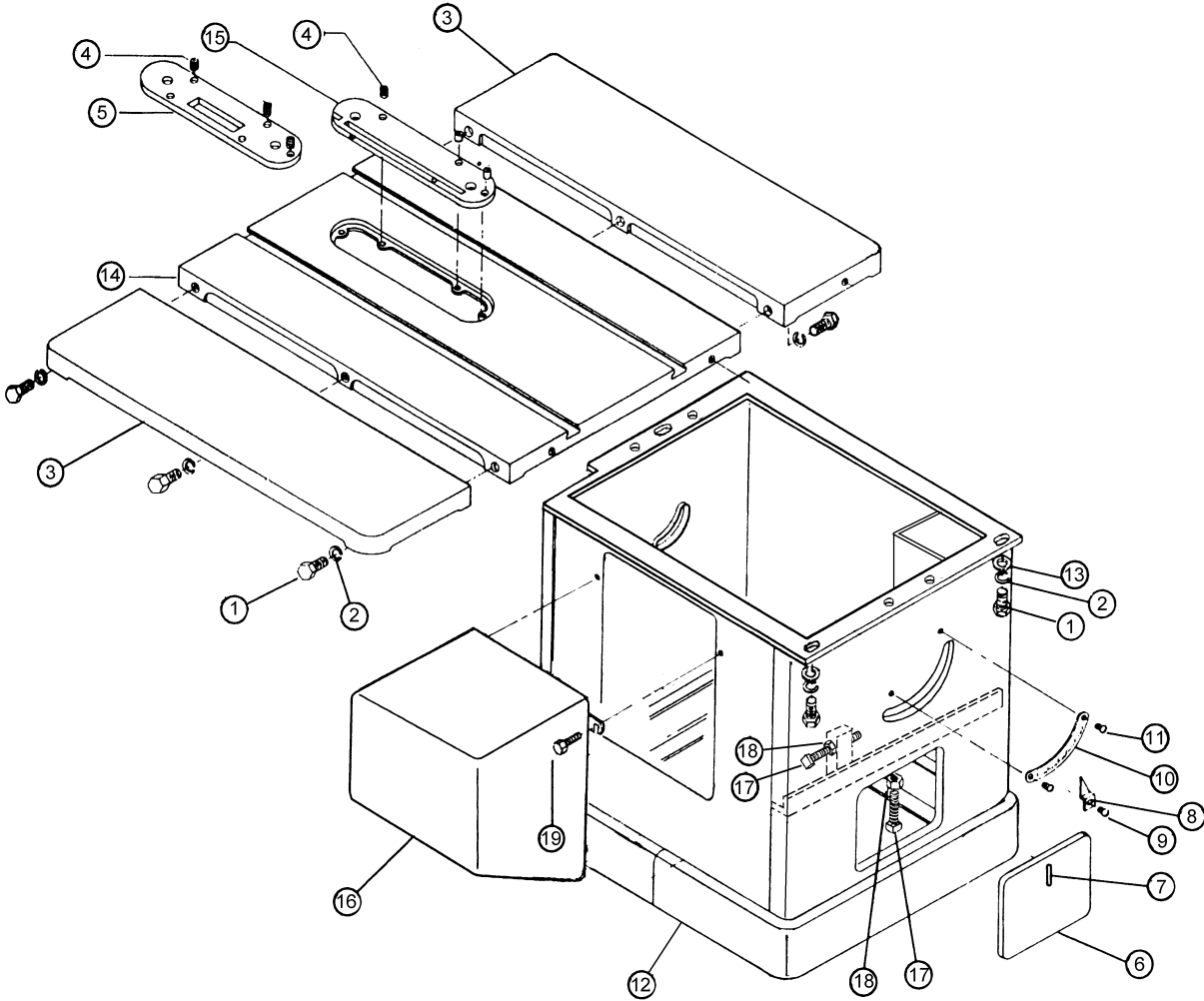




## Parts List: Stand Assembly

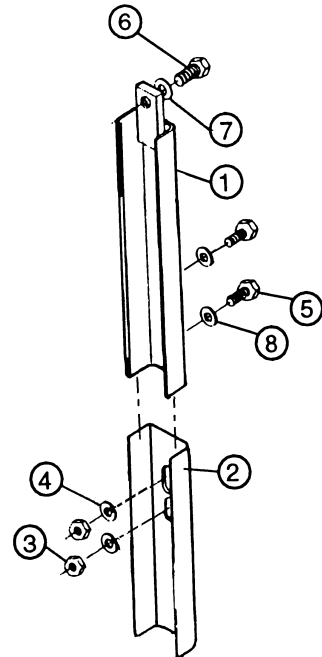
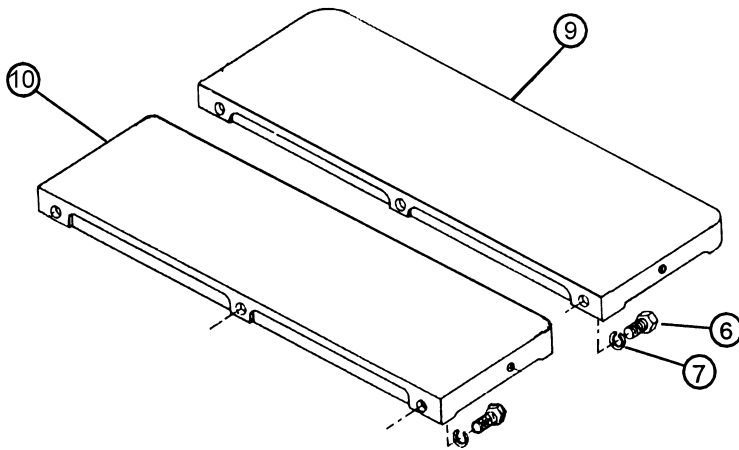
Index No.	Part No.	Description	Size	Qty
1	6716031	Hex Head Screw	3/8-16 x 1	9
2	6861300	Lock Washer	3/8	9
3	3186008	Standard Extension	8"	2
	2328002	Dado Insert Assembly (Items 4 & 5)		1
4	6714081	(Pkg of 5) Socket Set Screw (Nylok)	1/4-20 x 3/8	1
5	3328026	Dado Insert		1
	2136002	Door Assembly (Items 21 & 22)		1
6	3136018	Dust Removal Door		1
7	6440003	Latch		1
8	3604003	Pointer		1
9	6708045	Round Head Machine Screw	# 8-32 x 3/8	1
10	3684232	Plated Table Angle Scale		1
11	6746001	Pan Head Self-Tapping Screw	6-32 x 1/4	2
12	2759036	Stand Assembly (Weldment)		1
13	6861301	Flat Washer	3/8	3
14	3797044	Table		1
	2328001	Table Insert Assembly (Items 4 & 15)		1
15	3328025	Table Insert		1
16	3104667	Motor Cover (Optional)		1
17	6715101	Square Head Screw	5/16-18 x 2-3/4	2
18	6515001	Hex Nut	5/16-18	2
19	6746023	Hex Head Self-Tapping Screw	1/4-20 x 5/8	2
20	3408257	Warning Label (not shown)		1

# Stand Assembly



## Parts List: Table Extension and Legs (Optional Accessory)

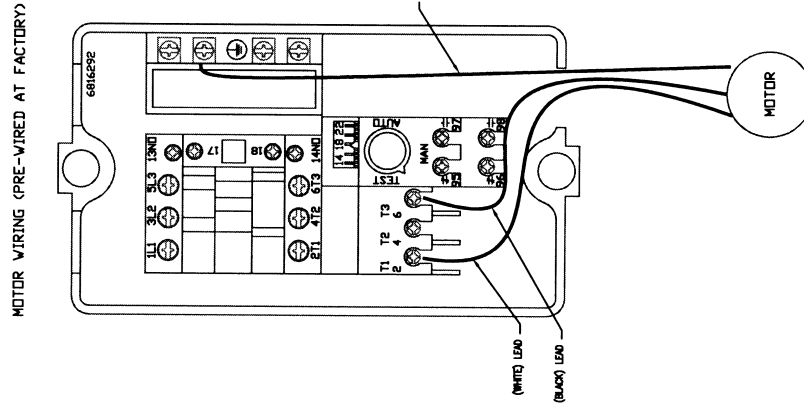
Index No.	Part No.	Description	Size	Qty
.....	2389003	Extension Kit (Items 1 thru 10)		1
.....	2423001	Extension Table Support Leg Assembly (Items 1 thru 8)		1
1.....	2423006	Inner Extension Leg Assembly		1
2.....	3186009	Outer Extension Leg		1
3.....	6515001	Hex Nut	18-5/16	2
4.....	6861200	Lock Washer	5/16	2
5.....	6715036	Hex Head Screw	5/16-18 x 5/8	2
6.....	6716031	Hex Head Screw	3/8-16 x 1	7
7.....	6861300	Lock Washer	3/8	7
8.....	6861201	Flat Washer	5/16	2
9.....	3186010	Round Extension	21"	1
10.....	3186011	Square Extension	21"	1



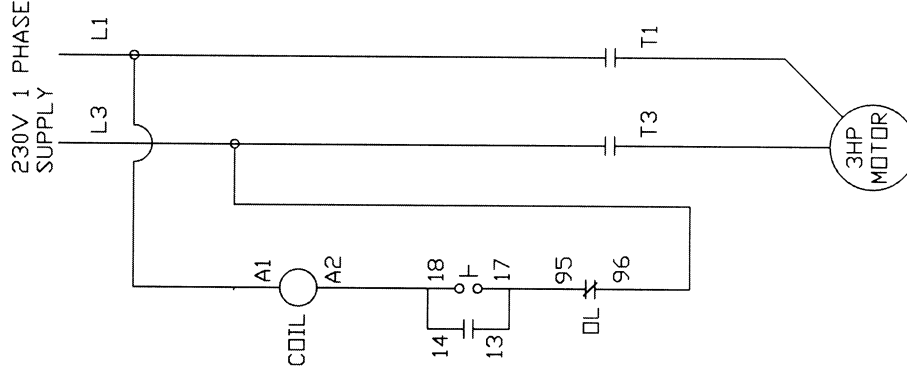
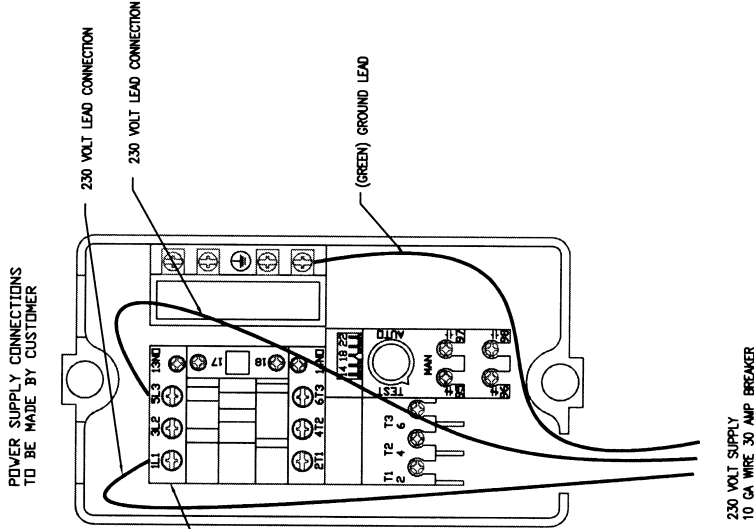
# Electrical Connections

FOR NHD ELECTRICALS ONLY  
(3HP SINGLE PHASE 230 VOLT)

6816292

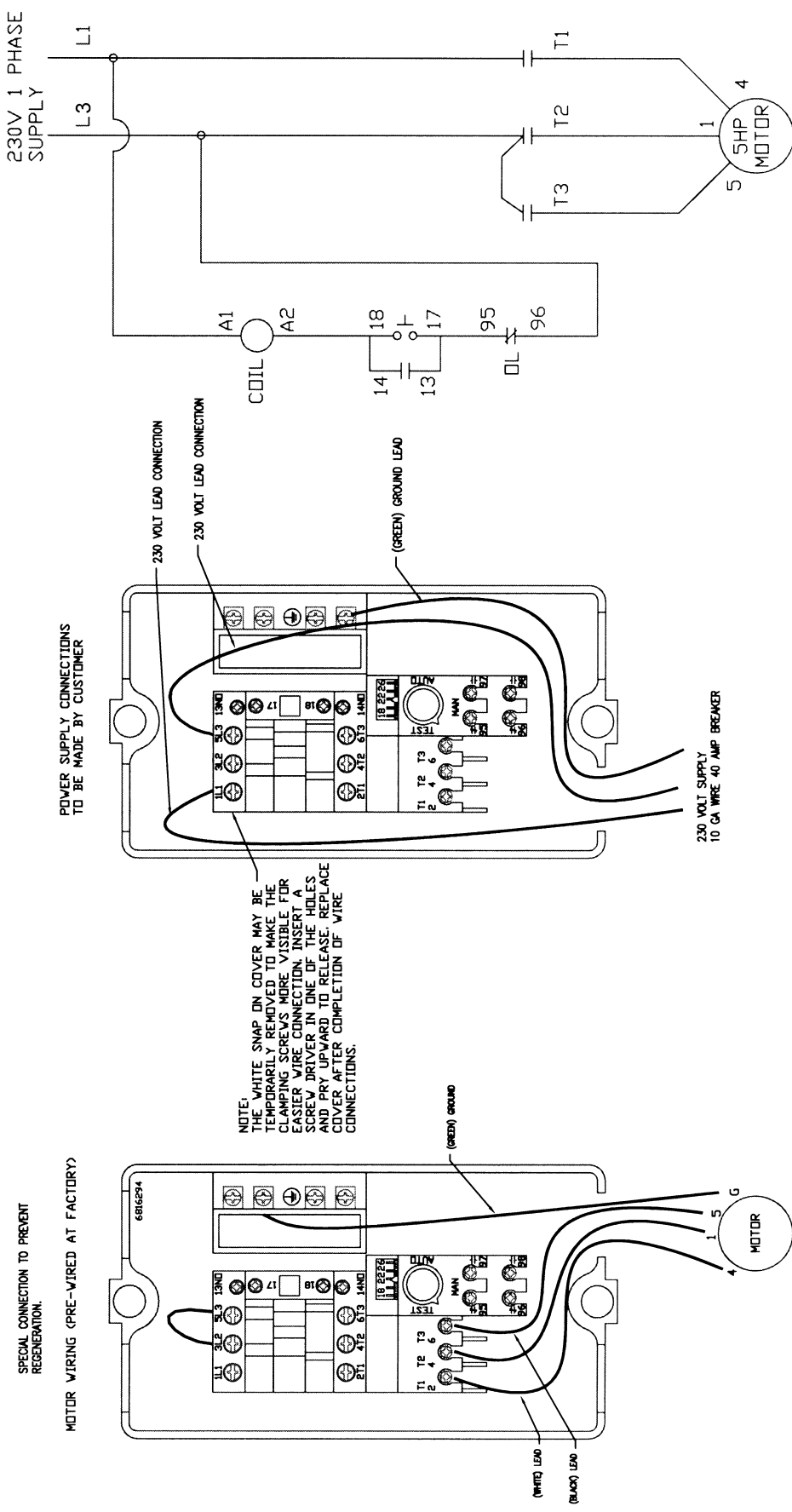


NOTE: THE WHITE SNAP ON COVER MAY BE TEMPORARILY REMOVED TO MAKE THE CLUSTER SCREWS MORE VISIBLE FOR CLOSER WIRE CONNECTION. INSERT A SCREW DRIVER CONNECTION INTO THE SCREW PILES IN TO RELEASE. REPLACE AND PRY UPWARD TO RELEASE. REPLACE COVER AFTER COMPLETION OF WIRE CONNECTIONS.



# FOR NHD ELECTRICALS ONLY (5HP SINGLE PHASE 230 VOLT)

6816294



230V 1 PHASE  
SUPPLY

POWER SUPPLY CONNECTIONS  
TO BE MADE BY CUSTOMER

230 VOLT LEAD CONNECTION

230 VOLT LEAD CONNECTION

(GREEN) GROUND LEAD

230 VOLT SUPPLY  
TO GA WIRE 40 AMP BREAKER

SPECIAL CONNECTION TO PREVENT  
REGENERATION.

MOTOR WIRING (PRE-WIRED AT FACTORY)

6816294

(GREEN) GROUND

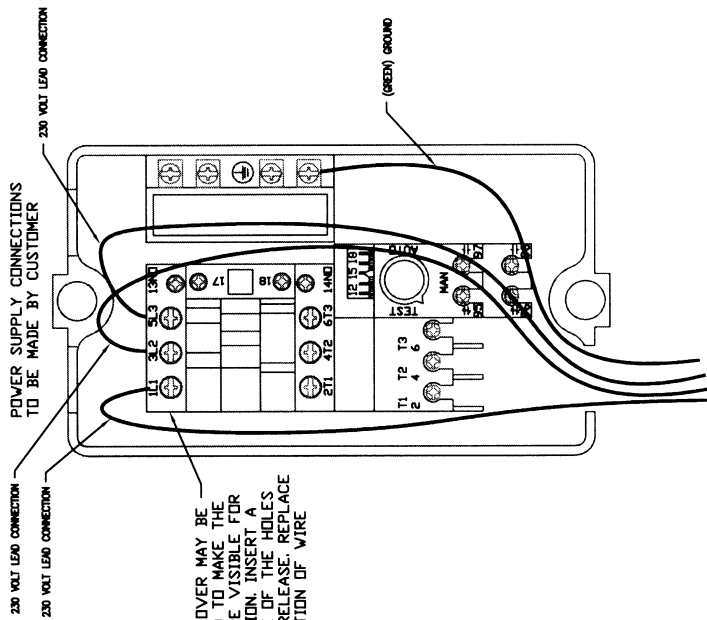
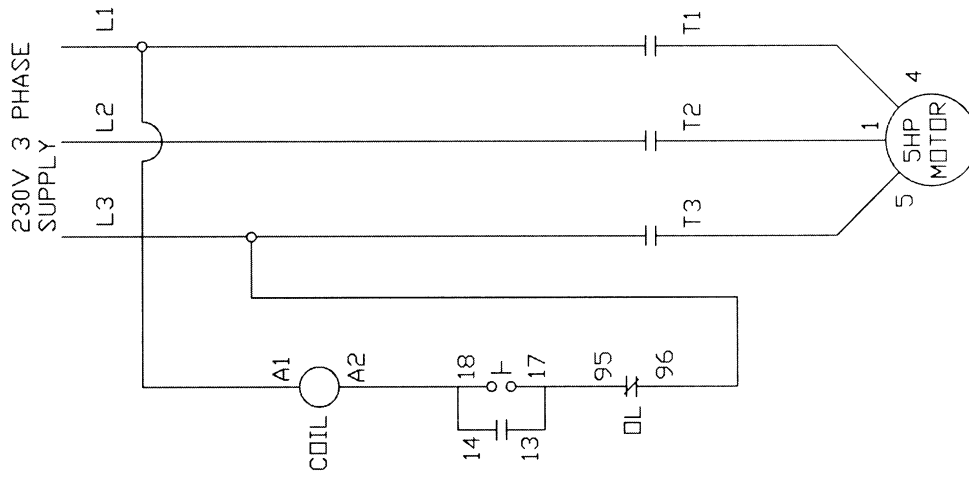
(WHITE) LEAD

(BLACK) LEAD

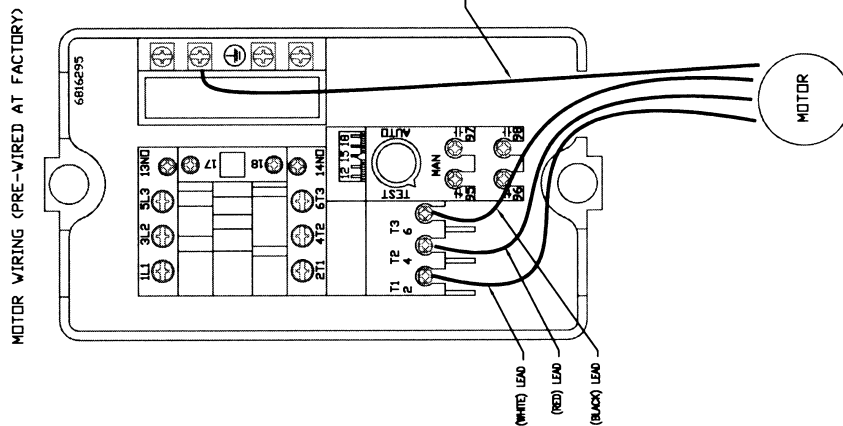
1 5 G  
MOTOR

# FOR NHD ELECTRICALS ONLY (5HP THREE PHASE 230 VOLT)

6816295

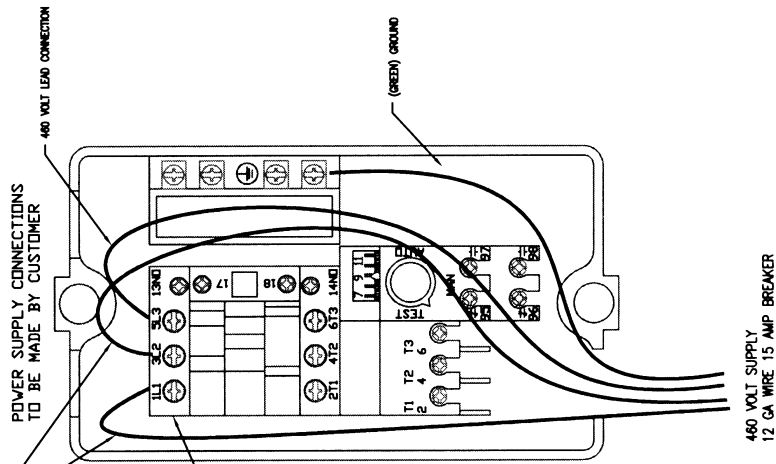
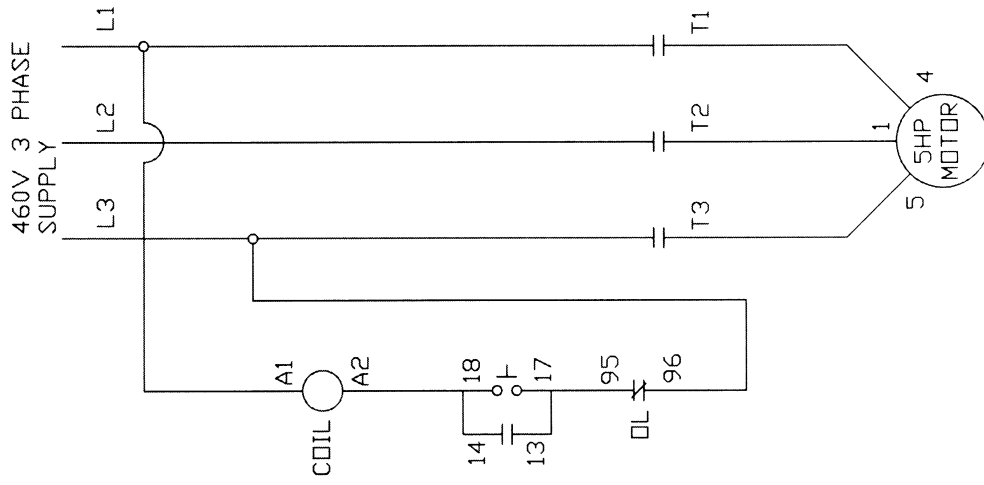


NOTE: WHITE SNAP ON COVER MAY BE TEMPORARILY REMOVED TO MAKE THE CLAMPING SCREWS MORE VISIBLE FOR EASIER WIRE CONNECTION. INSERT A SCREW DRIVER IN ONE OF THE HOLES AND PRY UPWARD TO RELEASE. REPLACE COVER AFTER COMPLETION OF WIRE CONNECTIONS.



# FOR NHD ELECTRICALS ONLY (5HP THREE PHASE 460 VOLT)

6816296



NOTE:  
THE WHITE SNAP ON COVER MAY BE TEMPORARILY REMOVED TO MAKE THE CLAMPING SCREWS MORE VISIBLE FOR EASIER WIRE CONNECTION. INSERT A SCREW DRIVER IN ONE OF THE HOLES AND PRY UPWARD TO RELEASE. REPLACE COVER AFTER COMPLETION OF WIRE CONNECTIONS.

