



# SERVICE PARTS LIST

**BULLETIN NO.**  
**54-10-0126**

SPECIFY CATALOG NO. AND SERIAL NO. WHEN ORDERING PARTS	
<b>1/2" REVERSING COMPACT DRILL</b>	
CATALOG NO. 1660 -1 or 1660-6	STARTING SERIAL NO. <b>719B or 719C</b>

REVISED BULLETIN 54-10-0125	DATE July 2013
WIRING INSTRUCTION <b>58-01-0539</b>	

**EXAMPLE:**  
Component Parts (Small #) Are Included When Ordering The Assembly (Large #).

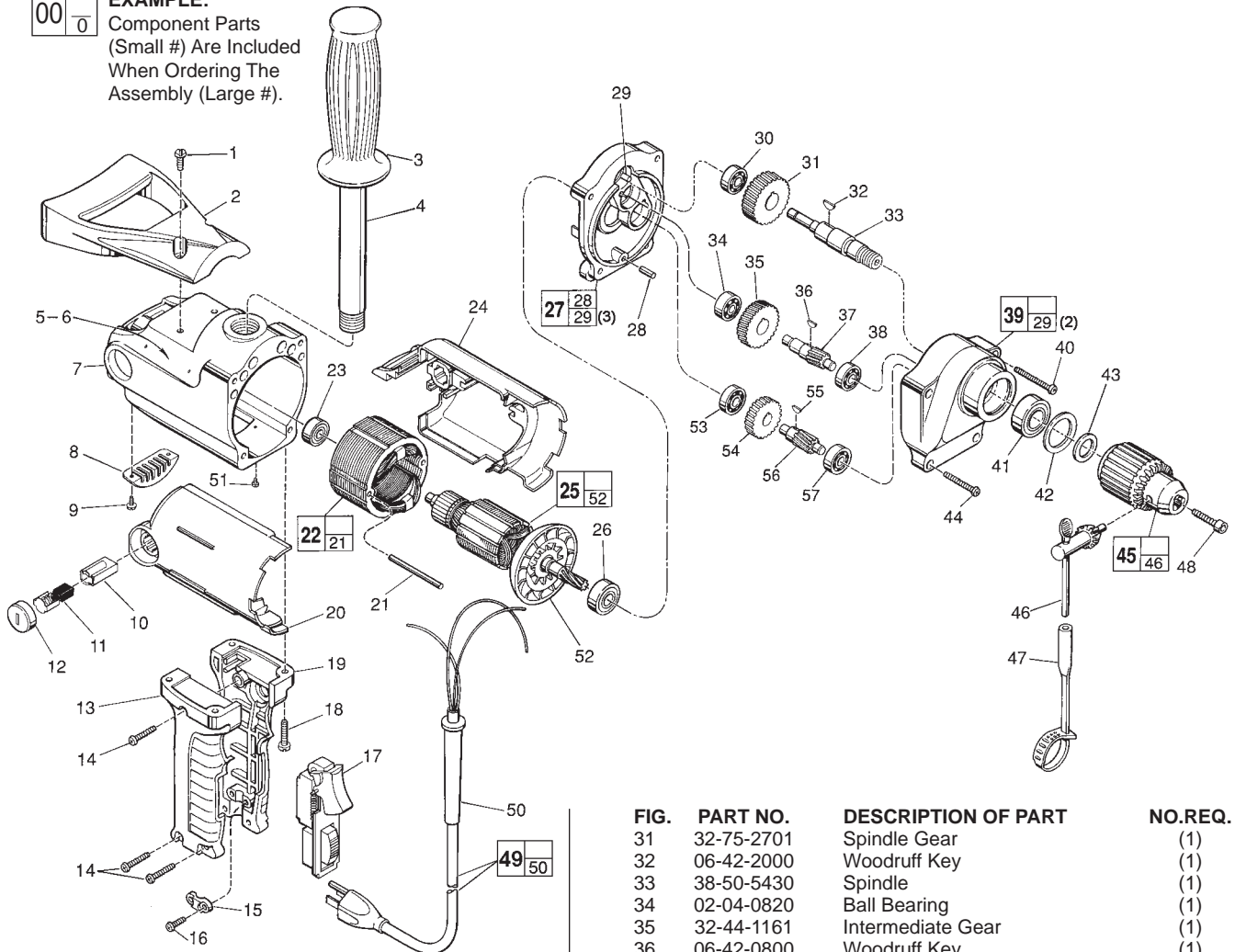


FIG.	PART NO.	DESCRIPTION OF PART	NO.REQ.
	1	06-82-8908 12-24 x 3/4" Pan Hd. Slit. Tapt. T-27	(2)
	2	31-44-1550 Spade Handle	(1)
	3	43-62-0246 Handle Grip	(1)
	4	43-62-0122 Pipe Handle	(1)
	5	12-99-3150 Nameplate Blank	(1)
	6	06-85-0200 6 x 1/4" Nameplate Screw	(2)
★	7	26-50-6300 Motor Housing	(1)
	8	44-66-5510 Cover Plate	(1)
	9	06-82-5270 6-32 x 1/4" Pan Hd. Slit. Tapt. T-15	(2)
	10	22-20-0660 Brush Tube	(2)
	11	22-18-0680 Carbon Brush Assembly	(2)
	12	23-44-0210 Brush Retaining Screw	(2)
★	13	31-44-1441 Right Hand Handle Half	(1)
	14	06-82-7326 8-16 x 1" Plastite T-20 Screw	(3)
★	15	31-17-0155 Cord Clamp	(1)
	16	06-82-7270 8-16 x 5/8" Slit. Pan Hd. Plast. T-20	(2)
★	17	23-66-1169 On-Off Reversing Switch Kit	(1)
★	18	06-82-5382 1/4-20 x 3/4" Pan Hd. Slit. Tapt. T-27	(4)
★	19	31-44-1446 Left Hand Handle Half	(1)
	20	23-16-1275 Motor Insulator Right Half	(1)
	21	06-65-1230 Grooved Pin	(2)
	22	18-50-0062 120 V. Field	(1)
	23	02-04-0847 Ball Bearing	(1)
	24	23-16-1276 Motor Insulator - Left Half	(1)
★	25	16-50-1060 120 V. Armature	(1)
	26	02-04-1050 Ball Bearing	(1)
	27	28-28-1700 Diaphragm Assy. (Incl. 29, Qty. 3)	(1)
	28	06-65-0625 3/16 x 1/2" Groove Pin	(1)
	29	45-30-0060 Bearing Retaining Slug	(5)
	30	02-04-0820 Ball Bearing	(1)

FIG.	PART NO.	DESCRIPTION OF PART	NO.REQ.
	31	32-75-2701 Spindle Gear	(1)
	32	06-42-2000 Woodruff Key	(1)
	33	38-50-5430 Spindle	(1)
	34	02-04-0820 Ball Bearing	(1)
	35	32-44-1161 Intermediate Gear	(1)
	36	06-42-0800 Woodruff Key	(1)
	37	36-66-2252 Intermediate Shaft	(1)
	38	02-04-0820 Ball Bearing	(1)
	39	28-14-1715 Gear Case Assy. (Incl. 29, Qty. 2)	(1)
	40	06-82-7784 10-24 x 1-7/16" Tapt. T-27	(2)
	41	02-04-1567 Ball Bearing	(1)
	42	34-80-2500 Retaining Ring	(1)
	43	45-88-0330 Chuck Washer	(1)
	44	06-82-7752 10-24 x 1-3/16" Taptite Sem.T-27	(2)
	45	48-66-1381 1/2" Reversing Chuck	(1)
	46	48-66-3280 Chuck Key	(1)
	47	48-66-4040 Key Holder	(1)
	48	06-75-3150 1/4-20 x 1" Skt. Hd. Cap Screw-L.H.	(1)
★	49	22-64-1231 Cord Set	(1)
	50	44-76-0150 Cord Protector	(1)
	51	06-95-5150 6-32 x 1/4" Hex Hd. Tapt. Sems	(1)
	52	22-84-0660 Fan	(1)
	53	02-04-0820 Ball Bearing	(1)
	54	32-42-1221 Intermediate Gear	(1)
	55	06-42-0800 Woodruff Key	(1)
	56	36-66-2201 Intermediate Shaft	(1)
	57	02-04-0820 Ball Bearing	(1)
★		10-98-5984 French/Spanish Warning Label	(1)

**FIG. LUBRICATION**  
39 5-1/2 Oz. Type "E" Grease, 49-08-4122.