



SERVICE PARTS LIST

BULLETIN NO.
54-10-0123

SPECIFY CATALOG NO. AND SERIAL NO. WHEN ORDERING PARTS		REVISED BULLETIN 54-10-0122	DATE Feb. '88
1/2" REVERSING COMPACT DRILL			
CATALOG NO. 1660-1	STARTING SERIAL NO. 719-53025	WIRING INSTRUCTION 58-01-0539	

EXAMPLE:
Component Parts (Small #) Are Included When Ordering The Assembly (Large #).

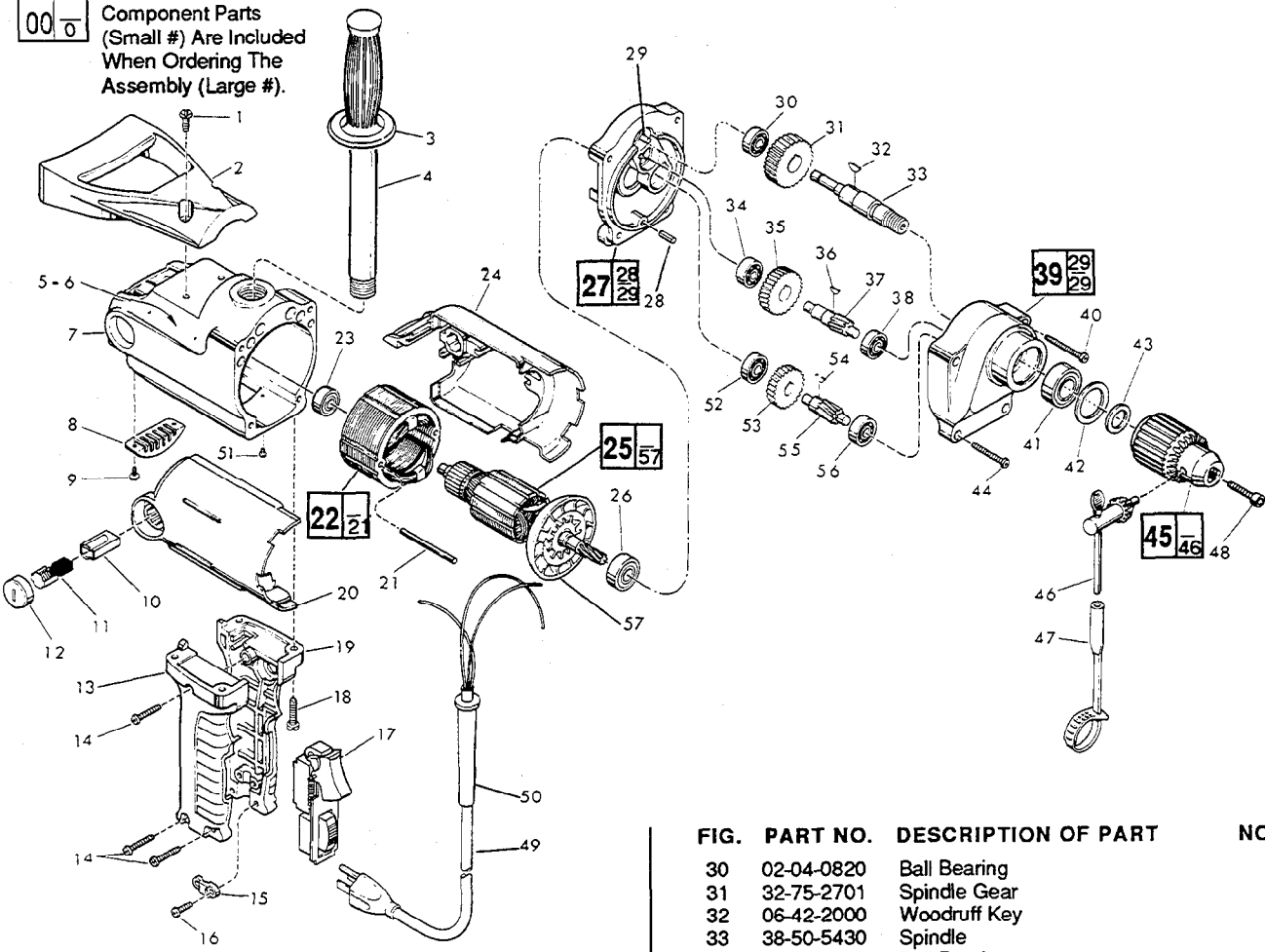


FIG.	PART NO.	DESCRIPTION OF PART	NO. REQ.
1	06-95-0460	12-24x3/4" Pan Hd. Taptite Sem.	(2)
2	31-44-1370	Spade Handle	(1)
3	43-62-0246	Handle Grip	(1)
4	43-62-0235	Pipe Handle	(1)
5	12-99-0320	Nameplate Blank	(1)
6	06-85-0200	6x1/4" Nameplate Screw	(2)
7	28-50-6270	Motor Housing	(1)
8	44-66-5510	Cover Plate	(1)
9	06-95-0210	6-32x1/4" Plastite Screw	(2)
10	22-20-0660	Brush Tube	(2)
11	22-18-0680	Carbon Brush Assembly	(2)
12	23-44-0180	Brush Retaining Screw	(2)
13	31-44-1440	Right Hand Handle Half	(1)
14	06-82-7326	8-16x1" Plastite Screw	(3)
15	31-17-0156	Cord Clamp	(1)
16	06-95-0216	8-16x5/8" Plastite Screw	(2)
17	23-66-1420	On-Off Reversing Switch	(1)
18	06-95-0460	12-24x3/4" Pan Hd. Taptite Sem.	(4)
19	31-44-1445	Left Hand Handle Half	(1)
20	23-16-1275	Motor Insulator - Right Half	(1)
21	06-65-1230	Grooved Pin	(2)
22	18-50-0062	120 V. Field	(1)
23	02-04-0847	Ball Bearing	(1)
24	23-16-1276	Motor Insulator - Left Half	(1)
25	16-50-0060	120 V. Armature	(1)
26	02-04-1040	Ball Bearing	(1)
27	28-28-1700	Diaphragm	(1)
28	06-65-0625	3/16 x 1/2" Groove Pin	(1)
29	45-30-0060	Bearing Retaining Slug	(3)

FIG.	PART NO.	DESCRIPTION OF PART	NO. REQ.
30	02-04-0820	Ball Bearing	(1)
31	32-75-2701	Spindle Gear	(1)
32	06-42-2000	Woodruff Key	(1)
33	38-50-5430	Spindle	(1)
34	02-04-0820	Ball Bearing	(1)
35	32-44-1161	Intermediate Gear	(1)
36	06-42-0800	Woodruff Key	(1)
37	36-66-2252	Intermediate Shaft	(1)
38	02-04-0820	Ball Bearing	(1)
39	28-14-1715	Gear Case Assy.	(1)
40	06-95-1650	10-24x1-7/16" Fil. Hd. Taptite Sem.	(2)
41	02-04-1567	Ball Bearing	(1)
42	34-80-2500	Retaining Ring	(1)
★43	45-88-0330	Chuck Washer	(1)
44	06-95-1625	10-24x1-3/16" Fil. Hd. Taptite Sem.	(2)
★45	48-66-1381	1/2" Reversing Chuck	(1)
46	48-66-3280	Chuck Key	(1)
47	48-66-4040	Key Holder	(1)
48	06-75-3150	1/4-20x1" Skt. Hd. Cap Screw L.H.Thread	(1)
49	22-64-0121	Cord Set	(1)
50	44-76-0150	Cord Protector	(1)
51	06-81-8625	6-32 x 1/4 Ground Sem.	(1)
52	02-04-0820	Ball Bearing	(1)
53	32-42-1221	Intermediate Gear	(1)
54	06-42-0800	Woodruff Key	(1)
55	36-66-2201	Intermediate Shaft	(1)
56	02-04-0820	Ball Bearing	(1)
57	22-84-0660	Fan	(1)
	10-98-5986	Warning Label	(1)

FIG. LUBRICATION
39 5-1/2 Oz. Type "A" Grease, 49-08-0800.

MILWAUKEE ELECTRIC TOOL CORPORATION
13135 W. LISBON RD., BROOKFIELD, WI 53005