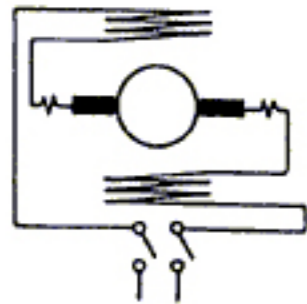
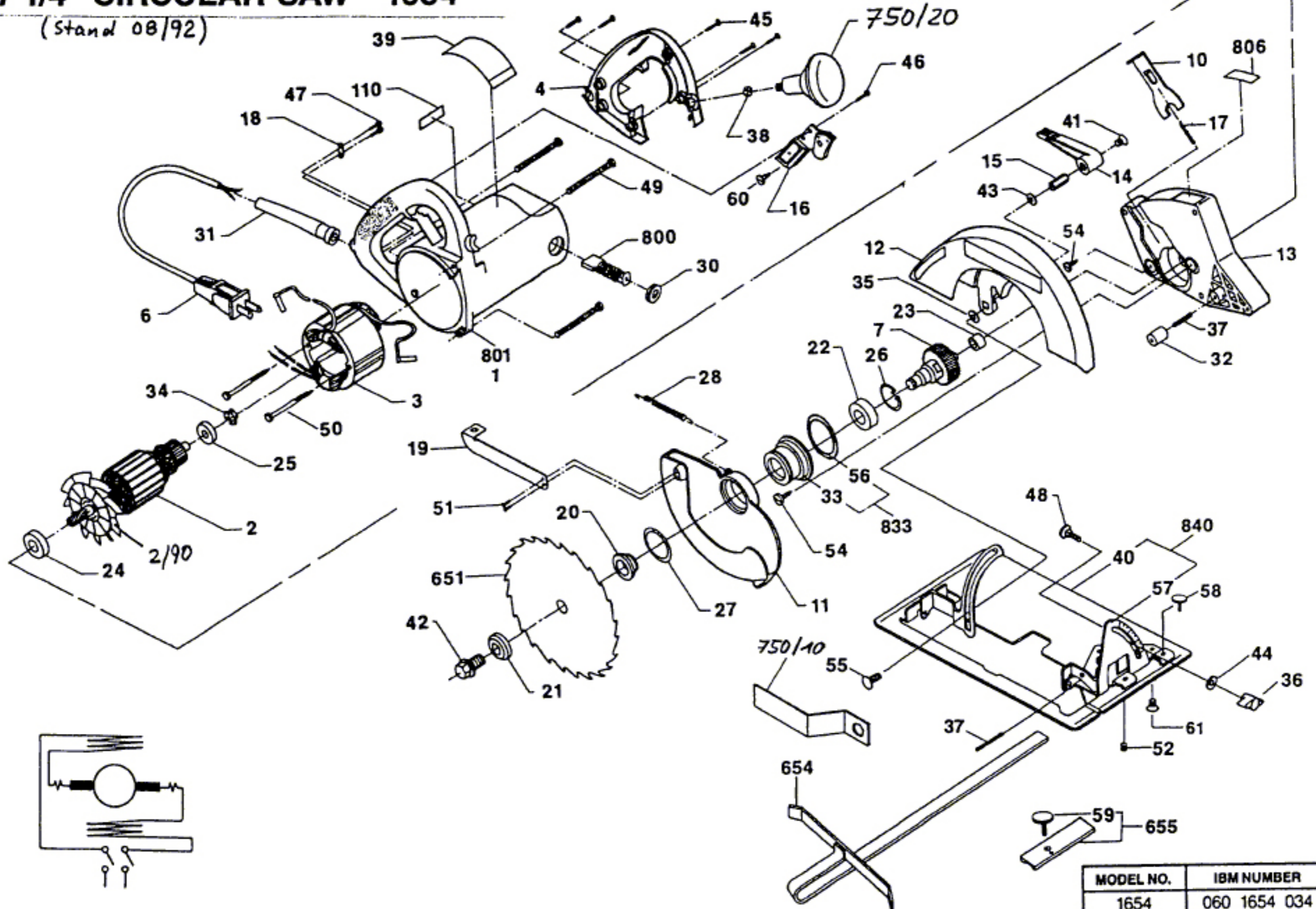


7 1/4" CIRCULAR SAW 1654

(Stand 08/92)



MODEL NO.	IBM NUMBER
1654	060 1654 034
1654	060 1654 134

Fig#	Parts No#	Title	Qty
1	3 605 108 531	Motor Housing	1
2	3 604 011 554	Armature 115V	1
2/90	3 606 610 515	Fan	1
3	3 604 220 541	Field 115V	1
4	3 605 133 516	Handle Cover BLUE	1
6	3 604 460 545	Power supply cord	1
7	3 606 328 509	Spindle With Gear	1
10	3 601 961 501	Locking Device	1
11	3 605 500 591	Pivoting Blade Guard	1
13	3 605 806 518	Gear Housing	1
14	3 602 000 507	Locking Lever	1
15	3 603 300 500	Intermediate Piece	1
17	3 604 613 504	Extension Spring	1
18	3 601 032 500	Fastening Clamp	1
19	3 601 923 507	Protecting Cover	1
20	3 600 101 508	Conical Spring Washer	1
21	3 600 144 500	Conical Spring Washer	1
22	3 600 900 521	Deep-Groove Ball Bearing	1
23	3 600 910 502	Needle-Roller Bearing	1
24	3 600 900 520	Deep-Groove Ball Bearing	1
25	2 610 904 891	Ball Bearing	1
26	3 600 119 505	Spring retaining ring	1
27	3 600 119 506	Spring retaining ring	1
28	3 604 648 504	Extension Spring	1
30	2 610 994 437	Screw Cap	2
31	3 600 707 503	Grommet Ø 9,4 MM	1
32	3 600 305 501	Stop Bushing	1
34	3 600 150 503	Locating Washer	1
35	3 600 102 503	Washer	1
36	1 603 339 006	Wing Nut M6	1
37	2 917 765 106	Slotted Spring Pin DIN 1481-4x32	2
38	2 915 011 065	Hex Nut DIN 934-M8-M-8	1
39	3 601 119 644	Reference Plate	1
41	2 910 141 197	Hex Socket Head Cap Screw DIN 912-	1
42	3 603 450 502	Hex Screw	1
43	2 916 201 004	Plain Washer DIN-6,4-ST	1
44	2 916 011 014	Plain Washer DIN 125-A 6,4-ST	1
45	2 910 611 029	Tapping Screw DIN 7971-BZ4,2x25	5
	2 910 211 229	Tapping Screw DIN 7971-BZ4,2x25	5
46	2 910 611 424	Tapping Screw DIN 7981-ST4,2x9,5-F-	1
	2 910 211 024	Tapping Screw DIN 7971-BZ 4,2x9,5	1
47	2 910 611 012	Tapping Screw DIN 7981-ST3,5x16-C-	2
	2 910 211 212	Tapping Screw DIN 7971-B3,5x16-A2	2
48	2 910 281 196	Round-Head Bolt M6x15 DIN 603	1
49	3 603 415 563	Pan head screw	3
50	1 613 435 009	Tapping Screw ST-4,8x57,5-TORX,T2C	2
51	2 603 435 042	Thread-forming tap. Screw	2
52	3 603 415 566	Set screw	1
53	2 917 765 095	Slotted Spring Pin DIN 1481-4x12	1
54	3 603 430 502	Socket head cap screw	2
55	3 603 434 501	Retaining Pin	1
56	3 601 016 507	Seal ring	1
57	3 601 440 514	O-Ring	1
58	2 912 510 120	Knurled Thumbscrew DIN 653-M4x10	2
59	2 912 510 197	Knurled Thumbscrew DIN 653 M6x16	1
60	3 603 433 506	Socket head cap screw	4
61	3 603 415 553	Socket head cap screw	3
651	3 608 640 504	Circular Saw Blade	1
654	3 607 000 505	Riving Knife	1
655	3 607 000 545	Edge Guide	1
750/20	1 603 481 001	Handle BLACK	1
800	3 607 014 502	Carbon-Brush Set	1
801	3 605 108 556	Motor Housing BLUE	1
806	3 601 119 595	Nameplate	1
816	3 607 000 582	Parts Set	1
833	3 607 000 566	Parts Set	1
840	3 601 440 515	Assembly Of Service Parts	1