



SERVICE PARTS LIST

1/2" ELECTRIC DRILL

Catalog No. 1650-1

Starting Serial No. **142-42917**

Specify Catalog and Serial No. when ordering parts

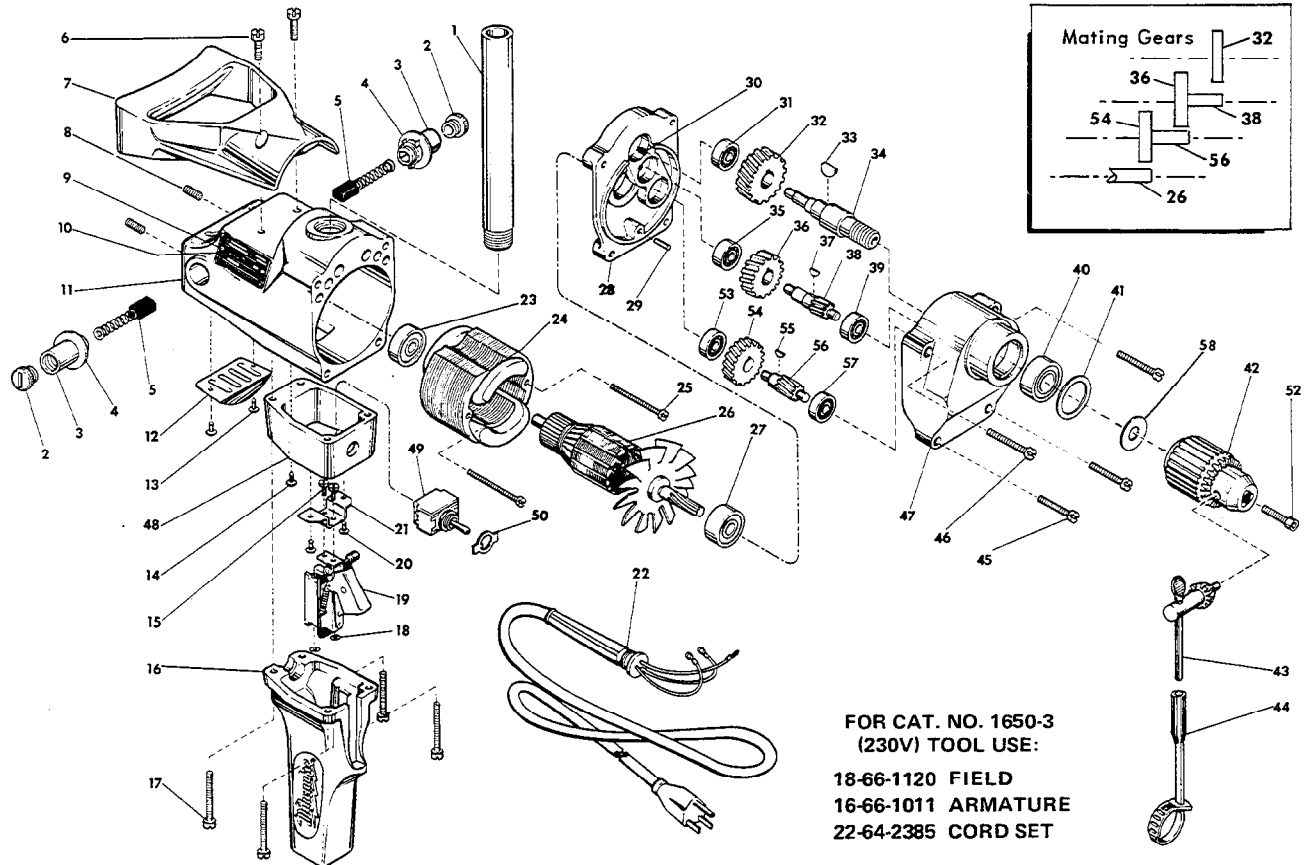
BUL. 54-10-2027

REVISED BUL.
54-10-2026

DATE
Jan. '75

WIRING INSTRUCTIONS
58-01-0535

450 R.P.M.



FOR CAT. NO. 1650-3
(230V) TOOL USE:
18-66-1120 FIELD
16-66-1011 ARMATURE
22-64-2385 CORD SET

FIG.	PART NO.	DESCRIPTION OF PART	NO. REQ.	FIG.	PART NO.	DESCRIPTION OF PART	NO. REQ.
1	43-62-0230	Pipe Handle		30	45-30-0060	Brg. Retaining Slug	(3)
2	23-44-0065	Brush Retaining Screw	(2)	31	02-04-0820	Ball Bearing	
3	22-22-0120	Brush Holder	(2)	32	32-75-2701	Spindle Gear	
4	23-86-0130	Washer	(2)	33	06-42-2000	Woodruff Key	
5	22-18-0170	Carbon Brush	(2)	34	38-50-2661	Spindle	
6	06-81-7500	12-24x5/8 Fil. Hd. Sem	(2)	35	02-04-0820	Ball Bearing	
7	28-44-7041	Spade Handle		36	32-44-1161	Intermediate Gear	
8	06-83-2670	1/4-20x1/2 Knrl. Set Screw	(2)	37	06-42-0800	Woodruff Key	
9	06-85-0200	6x1/4 Rd. Hd. Type Z Screw	(2)	38	36-66-2252	Intermediate Shaft	
10	12-99-0010	Nameplate		39	02-04-0820	Ball Bearing	
11	28-50-4646	Motor Housing		40	02-04-1650	Ball Bearing	
12	44-66-0140	Cover Plate		41	34-80-2500	Retaining Ring	
13	06-81-8650	6-32x1/4 Rd. Hd. Sem	(2)	42	48-66-1380	1/2" Reversing Chuck	
14	06-81-8625	6-32x1/4 Ground Screw		43	48-66-3280	Chuck Key	
15	06-81-5800	6-32x5/16 Fil. Hd. Sem	(2)	44	48-66-4040	Key Holder	
16	28-44-9121	Switch Handle		45	06-81-7450	10-32x1-3/16 Fil. Hd. Sem	(2)
17	06-81-7590	12-24x1-3/4 Fil. Hd. Sem	(4)	46	06-81-7460	10-32x1-7/16 Fil. Hd. Sem	(2)
18	06-97-1800	Lock Washer	(4)	47	28-14-0762	Gear Case	
19	23-66-0190	Switch		48	28-50-7081	Reversing Switch Housing	
20	06-81-8650	6-32x1/4 Rd. Hd. Sem	(2)	49	23-66-0198	Switch	
21	42-36-0180	Switch Bracket		50	22-75-0055	Switch Dial	
★ 22	22-64-0385	Cord Set		51	12-98-7081	Caution Plate (Not Shown)	
23	02-04-0970	Ball Bearing		52	06-75-3150	1/4-20x1 Skt. Cap Screw	
★ 24	18-62-1120	115 Volt Field		53	02-04-0820	Ball Bearing	
25	06-81-6700	8-32x1-7/8 Fil. Hd. Sem	(2)	54	32-42-1221	Intermediate Gear	
26	16-62-1150	115 Volt Armature		55	06-42-0800	Woodruff Key	
27	02-04-1070	Ball Bearing		56	36-66-2201	Intermediate Shaft	
28	28-28-0701	Diaphragm (Includes Fig. 29 & 30)		57	02-04-0820	Ball Bearing	
29	06-65-0625	3/16x1/2 Groove Pin		58	45-88-0365	Chuck Spacer Washer	