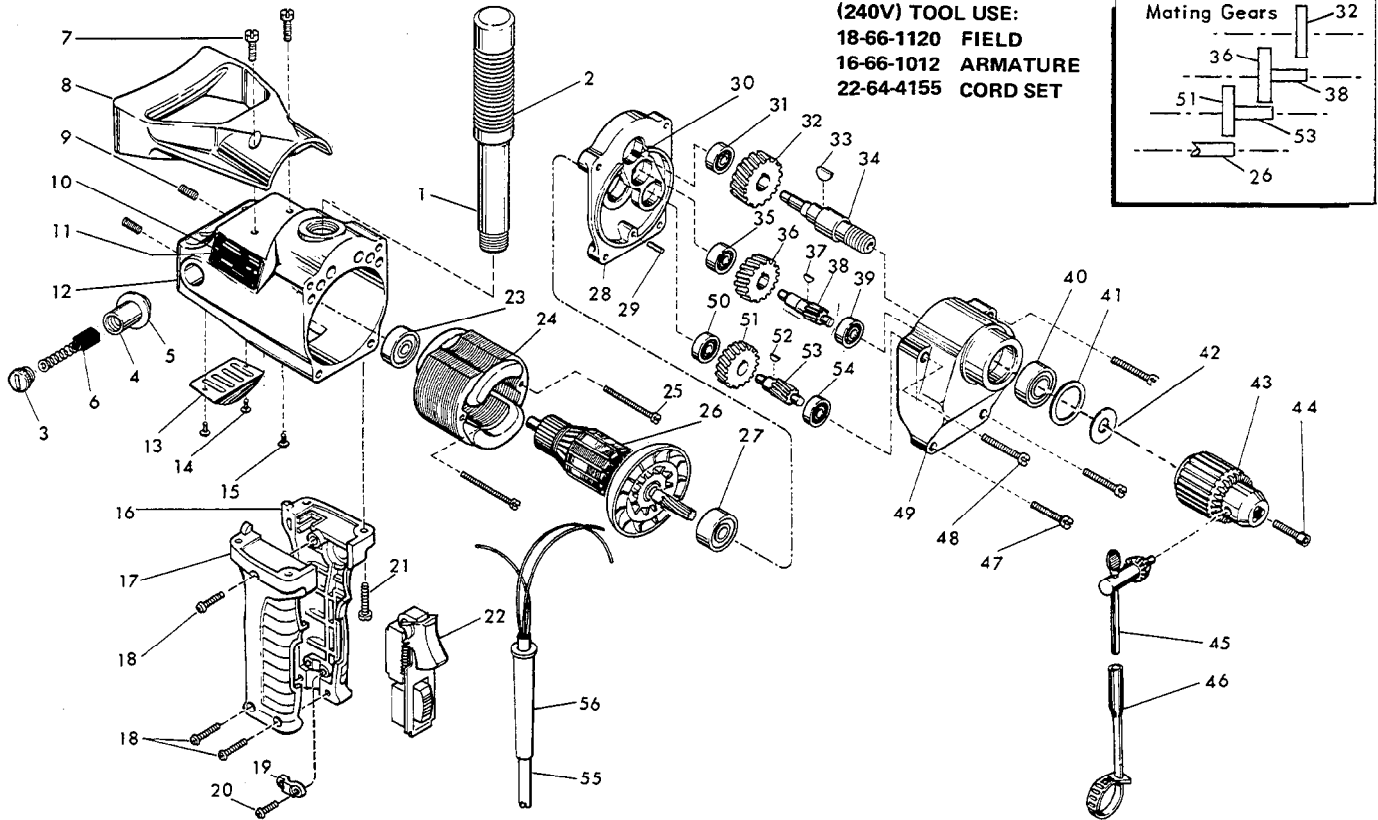




SERVICE PARTS LIST

BULLETIN NO.
54-10-2029

SPECIFY CATALOG NO. AND SERIAL NO. WHEN ORDERING PARTS		REVISED BULLETIN 54-10-2028	DATE April '83
1/2" ELECTRIC DRILL		WIRING INSTRUCTION 58-01-0536	
CATALOG NO. 1650-1	STARTING SERIAL NO. 142-126501		
CAT. NO. 1650-6	START SER. NO. 142-126501	BILINGUAL LABEL 10-98-6400	



FOR CAT. NO. 1650-3
(240V) TOOL USE:
18-66-1120 FIELD
16-66-1012 ARMATURE
22-64-4155 CORD SET

FIG.	PART NO.	DESCRIPTION OF PART	NO. REQ.
1	43-62-0230	Pipe Handle	(1)
2	43-62-0242	Handle Grip	(1)
3	23-44-0065	Brush Retaining Screw	(2)
4	22-22-1120	Brush Holder	(2)
5	23-86-0130	Fiber Washer	(2)
6	22-18-0170	Carbon Brush	(2)
7	06-81-4213	12-24x5/8 Phillips Pan Hd. Screw	(2)
8	31-44-1000	Spade Handle	(1)
9	06-83-2670	1/4-20x1/2 Knrl. Set Screw	(2)
10	06-85-0200	6x1/4 Nameplate Screw	(2)
11	12-99-0010	Nameplate Blank	(1)
12	28-50-4646	Motor Housing	(1)
13	44-66-0140	Cover Plate	(1)
14	06-81-8650	6-32x1/4 Rd. Hd. Sem	(2)
15	06-81-8625	6-32x1/4 Ground Screw	(1)
★16	31-44-1295	Left Handle Half	(1)
★17	31-44-1290	Right Handle Half	(1)
★18	06-95-0219	8-16 x 7/8" Plastite Screw	(3)
★19	31-17-0156	Cord Clamp	(1)
★20	06-95-0216	8-16 x 5/8" Plastite Screw	(2)
21	06-81-7550	12-24x3/4 Fil. Hd. Sem	(4)
22	23-66-0581	Reversing Switch	(1)
23	02-04-0970	Ball Bearing	(1)
24	18-62-1120	120 Volt Field	(1)
25	06-81-6700	8-32x1-78 Fil. Hd. Sem	(2)
26	16-62-1151	120 Volt Armature	(1)
27	02-04-1070	Ball Bearing	(1)
28	28-28-0701	Diaphragm (Includes Fig. Nos. 29 & 30)	(1)
29	06-65-0625	3/16x1/2 Groove Pin	(1)

FIG.	PART NO.	DESCRIPTION OF PART	NO. REQ.
30	45-30-0060	Bearing Retaining Slug	(3)
31	02-04-0820	Ball Bearing	(1)
32	32-75-2701	Spindle Gear	(1)
33	06-42-2000	Woodruff Key	(1)
34	38-50-2661	Spindle	(1)
35	02-04-0820	Ball Bearing	(1)
36	32-44-1161	Intermediate Gear	(1)
37	06-42-0800	Woodruff Key	(1)
38	36-66-2252	Intermediate Shaft	(1)
39	02-04-0820	Ball Bearing	(1)
40	02-04-1650	Ball Bearing	(1)
41	34-80-2500	Retaining Ring	(1)
42	45-88-0330	Chuck Spacer Washer	(1)
43	48-66-1380	1/2" Rev. Chuck (Includes Fig. No. 45)	(1)
44	06-75-3150	1/4-20x1 Skt. Cap Screw L.H. Thread	(1)
45	48-66-3280	Chuck Key	(1)
46	48-66-4040	Key Holder	(1)
47	06-81-7450	10-32x1-3/16 Fil. Hd. Sem	(2)
48	06-81-7460	10-32x1-7/16 Fil. Hd. Sem	(2)
49	28-14-0762	Gear Case	(1)
50	02-04-0820	Ball Bearing	(1)
51	32-42-1221	Intermediate Gear	(1)
52	06-42-0800	Woodruff Key	(1)
53	36-66-2201	Intermediate Shaft	(1)
54	02-04-0820	Ball Bearing	(1)
★55	22-64-0121	Cord Set	(1)
★56	44-76-0150	Cord Protector	(1)
57	10-98-5987	Caution Label (Not Shown) Omit For Canadian Tools	(1)

MILWAUKEE ELECTRIC TOOL CORPORATION
13135 W. LISBON RD., BROOKFIELD, WIS. 53005