



SERVICE PARTS LIST

BUL. 54-10-2002

1/2" ELECTRIC DRILL

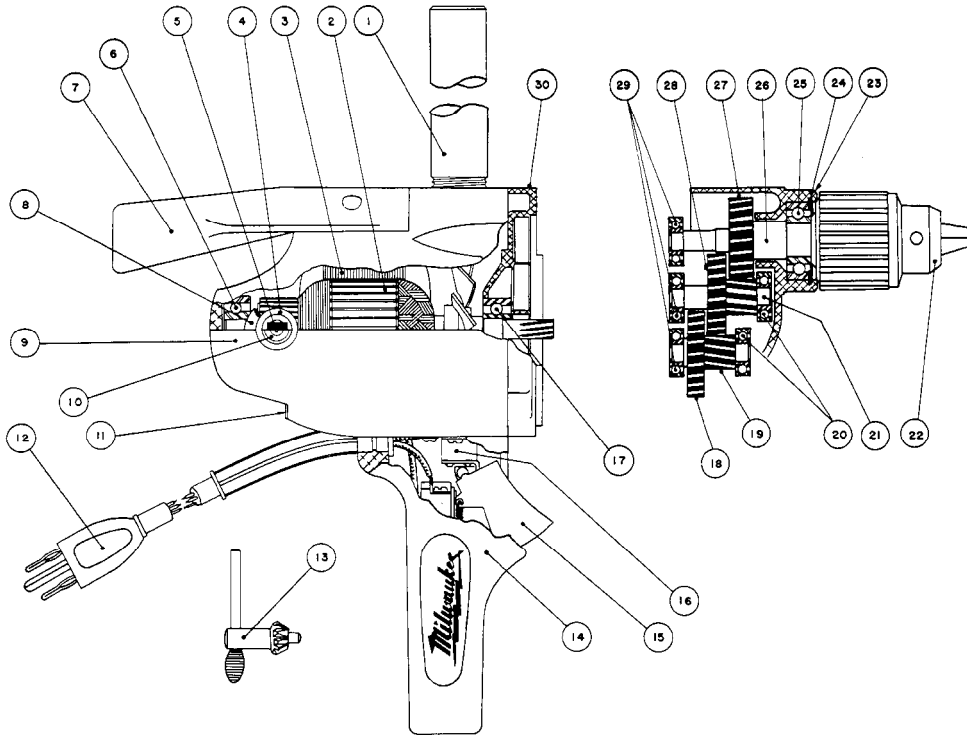
REVISED BUL 6117-3 DATE FEB. '68

Catalog No. 1650

Starting Serial No. **117-9835**

WIRING INSTR.

Both Model and Serial No. must be furnished to obtain correct parts.



230V Motor
16-66-1010 Armature
18-66-1000 Field

ILLUSTRATED PARTS

FIG.	PART NO.	DESCRIPTION OF PART
1	43-62-0230	Pipe Handle
2	16-62-1010	Armature Assembly
3	18-62-1000	Field Assembly
4	22-22-0120	Brush Holder Assembly
5	22-18-0170	Carbon Brush Assembly
6	02-04-0970	Ball Bearing
7	28-44-7041	Spade Handle
8	23-86-0130	Brush Holder Washer
9	28-50-4644	Drill Body
10	23-44-0065	Brush Retaining Screw
11	44-66-0140	Air Intake Cover Plate
12	22-64-0170	Cord Set (3-wire - 3 prong plug)
13	48-66-3280	Chuck Key
14	28-44-9 121	Switch Handle
15	23-66-0 190	Switch

FIG.	PART NO.	DESCRIPTION OF PART
16	42-36-0180	Switch Bracket
17	02-04-1070	Ball Bearing
18	32-42-1221	1st Intermediate Gear
19	36-66-2201 02-04-0820	Ball 1st Intermediate Bearing Pinion Shaft
20		
21	36-66-2251	2nd Inter. Pinion Shaft
22	48-66-1280	Chuck (1/2-20 Thread) (See Price Sheet)
23	28-14-0762	Gear Case
24	34-80-2500	Spindle Ball Brg. Ret. Ring
25	02-04-1560	Ball Bearing
26	38-50-2601	Spindle
27	32-75-1661	Spindle Gear
28	32-44-1 161	2nd Intermediate Gear
29	02-04-0820	Ball Bearing
30	28-28-0701	Diaphragm

MISCELLANEOUS PARTS NOT SHOWN

PART NO.	DESCRIPTION OF PART	PART NO.	DESCRIPTION OF PART
42-70-0060	Spade Handle Key Clip	06-8 1-8650	6-32x1/4" Rd. Hd. Sems Comm. Cover Plate Scs. (2)
12-98-3725	Name Plate	06-8 1-8200	4-36x3/16" Rd. Hd. Name Plate Screws (2)
06-42-2000	Spindle Woodruff Key	06-23-2670	1/4-20x1/2" Hd'less Brush Holder Set Screws (2)
06-42-0800	Int. Shaft Woodruff Key	06-81-8650	6-32x1/4" Rd. Hd. Sems Switch Bracket Screws (2)
06-81-7100	10-24x1-3/16" Fil. Hd. Sems Gear Case Scs. (2)	06-81-5800	6-32x5/16" Fil. Hd. Sems Switch Mounting Scs. (2)
06-81-7200	10-24x1-7/16" Fil. Hd. Sems Gear Case Sc. (top)	06-8 1-8600	6-32x3/16" Rd. Hd. Sems Key Clip Screws (2)
06-81-6700	8-32x1-7/8" Fil. Hd. Field Screw (2)	43-84-0080	Pipe Handle Insert
06-81-7500	12-24x5/8" Fil. Hd. Switch Handle Sems (4)	45-30-0060	Ball Bearing Ret. Plug
06-81-7500	12-24x5/8" Fil. Hd. Sems Spade Handle Scs. (2)	06-8 1-8625	6-32x1/4" Rd. Hd. Brass Ground Screw
48-03-00 10	Attachment Plug Adapter		

Numbers in brackets indicate number required.