



SERVICE PARTS LIST

BUL. 54-10-2005

1/2" ELECTRIC DRILL

REVISED BUL.
54-10-2004

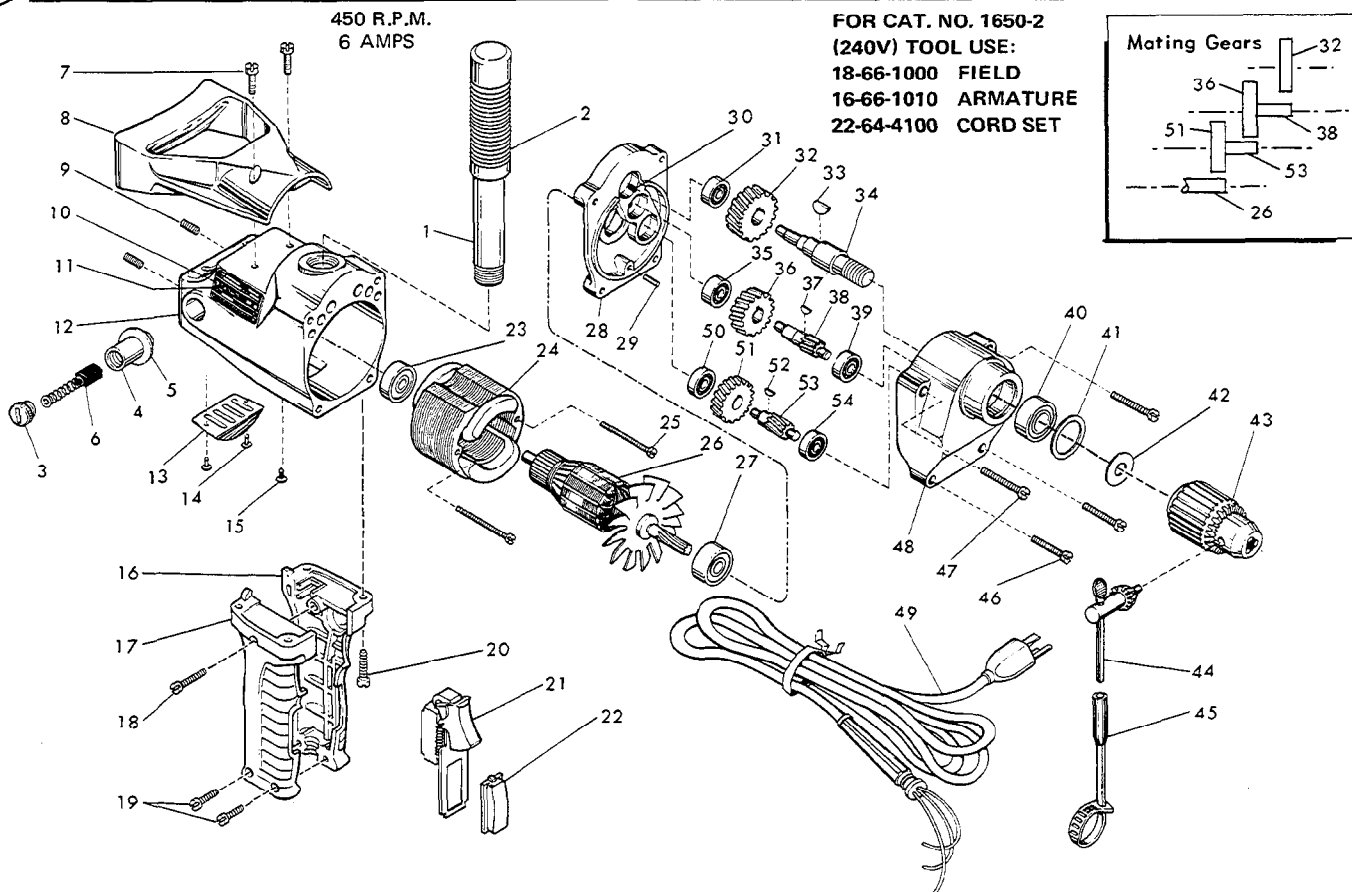
DATE
Sept. '78

Catalog No. 1650

Starting
Serial No. **117-43920**

WIRING INSTRUCTIONS
58-01-0505

Specify Catalog and Serial No. when ordering parts



450 R.P.M.
6 AMPS

FOR CAT. NO. 1650-2

(240V) TOOL USE:

18-66-1000 FIELD

16-66-1010 ARMATURE

22-64-4100 CORD SET

FIG.	PART NO.	DESCRIPTION	NO. REQ.
	1	43-62-0230 Pipe Handle	(1)
★	2	43-62-0242 Handle Grip	(1)
	3	23-44-0065 Brush Retaining Screw	(2)
★	4	22-22-1120 Brush Holder	(2)
	5	23-86-0130 Fiber Washer	(2)
	6	22-18-0170 Carbon Brush	(2)
★	7	06-81-4213 12-24x5/8 Phillips Pan Hd. Screw	(2)
★	8	31-44-1000 Spade Handle	(1)
	9	06-83-2670 1/4-20x1/2 Knrl. Set Screw	(2)
	10	06-85-0200 6x1/4 Nameplate Screw	(2)
	11	12-99-0010 Nameplate	(1)
	12	28-50-4646 Motor Housing	(1)
	13	44-66-0140 Cover Plate	(1)
	14	06-81-8650 6-32x1/4 Rd. Hd. Sem	(2)
	15	06-81-8625 6-32x1/4 Ground Screw	(1)
★	16	31-44-0510 Left Handle Half	(1)
★	17	31-44-0500 Right Handle Half	(1)
★	18	06-81-6402 8-32x1-1/8 Fil. Hd. Sem	(1)
★	19	06-81-6202 8-32x5/8 Fil. Hd. Sem	(2)
★	20	06-81-7550 12-24x3/4 Fil. Hd. Sem	(4)
★	21	23-66-0591 Switch	(1)
★	22	31-53-0100 Handle Plug	(1)
	23	02-04-0970 Ball Bearing	(1)
	24	18-62-1000 120 Volt Field	(1)
	25	06-81-6700 8-32x1-7/8 Fil. Hd. Sem	(2)
	26	16-62-1010 120 Volt Armature	(1)
	27	02-04-1070 Ball Bearing	(1)
	28	28-28-0701 Diaphragm (Includes Fig. No. 29 & 30)	(1)

FIG.	PART NO.	DESCRIPTION	NO. REQ.
	29	06-65-0625 3/16x1/2 Groove Pin	(1)
	30	45-30-0060 Bearing Retaining Slug	(3)
	31	02-04-0820 Ball Bearing	(1)
	32	32-75-2701 Spindle Gear	(1)
	33	06-42-2000 Woodruff Key	(1)
	34	38-50-2601 Spindle	(1)
	35	02-04-0820 Ball Bearing	(1)
	36	32-44-1161 Intermediate Gear	(1)
	37	06-42-0800 Woodruff Key	(1)
	38	36-66-2252 Intermediate Shaft	(1)
	39	02-04-0820 Ball Bearing	(1)
	40	02-04-1560 Ball Bearing	(1)
	41	34-80-2500 Retaining Ring	(1)
	42	45-88-0375 Chuck Spacer Washer	(1)
	43	48-66-1280 1/2" Chuck (Includes Fig. No. 44)	(1)
	44	48-66-3280 Chuck Key	(1)
	45	48-66-4040 Key Holder	(1)
	46	06-81-7450 10-32x1-3/16 Fil. Hd. Sem	(2)
	47	06-81-7460 10-32x1-7/16 Fil. Hd. Sem	(2)
	48	28-14-0762 Gear Case	(1)
★	49	22-64-0386 Cord Set	(1)
	50	02-04-0820 Ball Bearing	(1)
	51	32-42-1221 Intermediate Gear	(1)
	52	06-42-0800 Woodruff Key	(1)
	53	36-66-2201 Intermediate Shaft	(1)
	54	02-04-0820 Ball Bearing	(1)
	55	12-98-7081 Caution Plate (Not Shown)	(1)