



SERVICE PARTS LIST

BUL. 54-10-2000

1/2" ELECTRIC DRILL

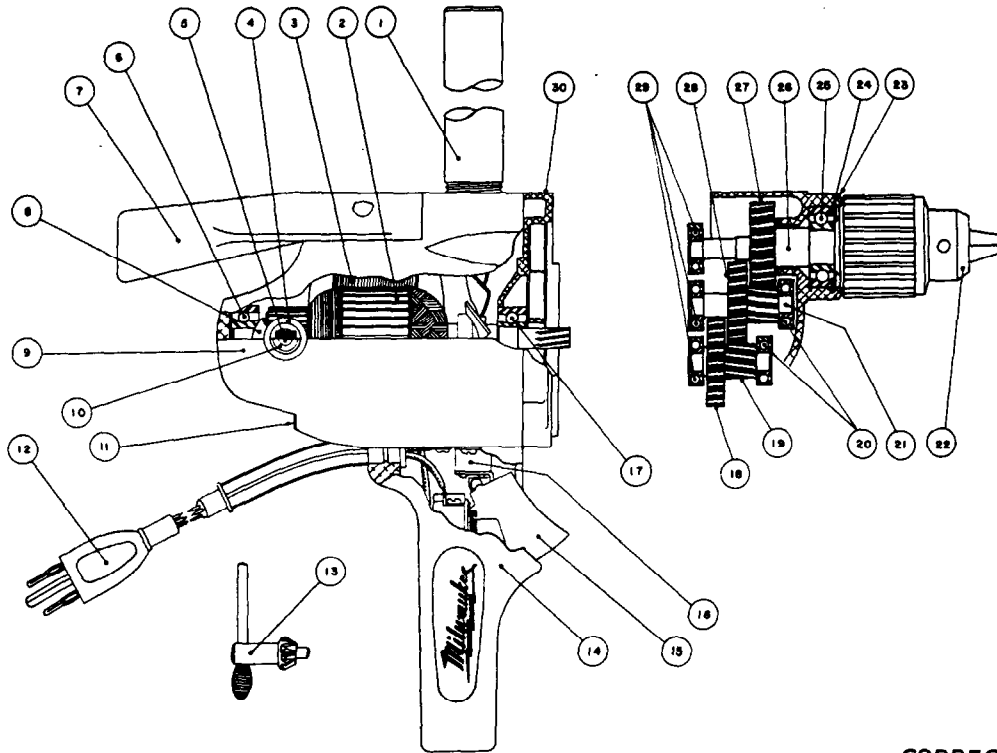
REVISED BUL. 6117-1 DATE FEB. '68

Catalog No. 1650

Starting Serial No. **117-1001**

WIRING INSTR.

Both Model and Serial No. must be furnished to obtain correct parts.



CORRECTS AND SUPERCEDES SERVICE BULLETIN 6117-1 DATED 2/15/60

FIG. PART NO. DESCRIPTION OF PART		ILLUSTRATED PARTS		FIG. PART NO. DESCRIPTION OF PART	
1	43-62-0230 Pipe Handle	16	42-36-0180 Switch Bracket	17	02-04-1070 Ball Bearing
2	16-62-1010 Armature Assembly	18	32-42-1221 1st Intermediate Gear	19	36-66-2201 1st Intermediate Pinion Shaft
3	18-62-1000 Field Assembly	(2)	20 02-04-0820 Ball Bearing	20	02-04-0820 Ball Bearing
4	22-22-0090 Brush Holder Assembly	(2)	21 36-66-2251 2nd Inter. Pinion Shaft	21	36-66-2251 2nd Inter. Pinion Shaft
5	22-18-0097 Carbon Brush Assembly	22	48-66-1280 Chuck (1/2-20 Thread) (See Price Sheet)	22	48-66-1280 Chuck (1/2-20 Thread) (See Price Sheet)
6	02-04-0970 Ball Bearing	(2)	23 28-14-0762 Gear Case	23	28-14-0762 Gear Case
7	28-44-7041 Spade Handle	24	34-80-2500 Spindle Ball Brg. Ret. Ring	24	34-80-2500 Spindle Ball Brg. Ret. Ring
8	23-86-0125 Brush Holder Washer	(2)	25 02-04-1560 Ball Bearing	25	02-04-1560 Ball Bearing
9	28-50-4641 Drill Body	(2)	26 38-50-2601 Spindle	26	38-50-2601 Spindle
10	23-44-0065 Brush Retaining Screw	27	32-75-1661 Spindle Gear	27	32-75-1661 Spindle Gear
11	44-66-0140 Air Intake Cover Plate	28	32-44-1161 2nd Intermediate Gear	28	32-44-1161 2nd Intermediate Gear
12	22-64-0170 Cord Set (3-wire - 3 prong plug)	29	02-04-0820 Ball Bearing	29	02-04-0820 Ball Bearing
13	48-66-3280 Chuck Key	30	28-28-0701 Diaphragm	30	28-28-0701 Diaphragm
14	28-44-9121 Switch Handle				
15	23-66-0325 Switch				
MISCELLANEOUS PARTS NOT SHOWN					
PART NO.	DESCRIPTION OF PART	PART NO.	DESCRIPTION OF PART	PART NO.	DESCRIPTION OF PART
42-70-0060	Spade Handle Key Clip	06-81-8650	6-32x1/4" Rd. Hd. Sems Comm. Cover Plate Scs. (2)	06-81-8650	6-32x1/4" Rd. Hd. Sems Comm. Cover Plate Scs. (2)
12-98-3700	Name Plate	06-81-8200	4-36x3/16" Rd. Hd. Name Plate Screws (2)	06-23-2670	1/4-20x1/2" Hd'less Brush Holder Set Screws (2)
06-42-2000	Spindle Woodruff Key	06-81-8650	6-32x1/4" Rd. Hd. Sems Switch Bracket Screws (2)	06-81-8650	6-32x1/4" Rd. Hd. Sems Switch Bracket Screws (2)
06-42-0800	Int. Shaft Woodruff Key	06-81-5800	6-32x5/16" Fil. Hd. Sems Switch Mounting Scs. (2)	06-81-8600	6-32x3/16" Rd. Hd. Sems Key Clip Screws (2)
06-81-7100	10-24x1-3/16" Fil. Hd. Sems Gear Case Scs. (2)	06-81-8600	6-32x3/16" Rd. Hd. Sems Key Clip Screws (2)	06-65-0625	3/16x1/2 Driv-Lok Type D Dowel Pin
06-81-7200	10-24x1-7/16 Fil. Hd. Sems Gear Case Sc. (top) (2)	06-65-0625	3/16x1/2 Driv-Lok Type D Dowel Pin	45-30-0060	Ball Bearing Ret. Plug
06-81-6700	8-32x1-7/8" Fil. Hd. Field Screw (2)	45-30-0060	Ball Bearing Ret. Plug	06-81-8625	6-32x1/4" Rd. Hd. Brass Ground Screw
06-81-1550	12-24x5/8 Sems Switch Handle Screws (4)	06-81-8625	6-32x1/4" Rd. Hd. Brass Ground Screw		
06-81-7500	12-24x5/8" Fil. Hd. Sems Spade Handle Scs. (2)				
48-03-0010	Attachment Plug Adapter				

Numbers in brackets indicate number required.