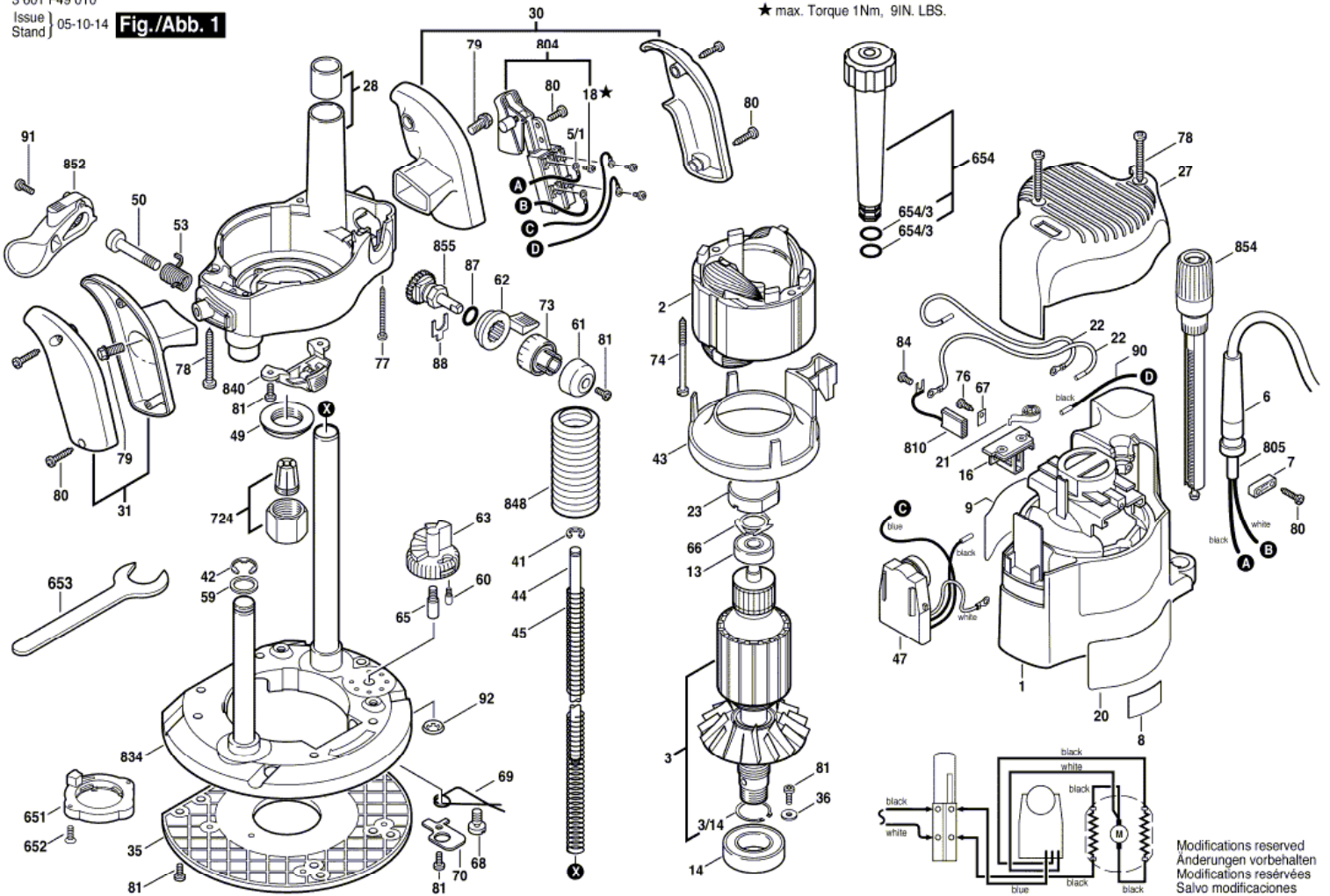


3 601 F49 010
 Issue } 05-10-14
 Stand }

Fig./Abb. 1

★ max. Torque 1Nm, 9IN. LBS.



Modifications reserved
 Änderungen vorbehalten
 Modifications réservées
 Salvo modificaciones



Pos.	Part Number	Description	Pos.	Part Number	Description
1	2 610 996 079	MOTOR HOUSING	652	2 910 871 122	COUNTERSUNK-HEAD SCREW
2	2 610 921 134	FIELD	653	2 610 992 417	SINGLE-HEAD ENG. WRENCH
3	2 610 921 051	ARMATURE	654	2 610 907 529	ADJUSTMENT KNOB
3/14	2 916 650 014	SPRING RETAINING RING	654/3	2 610 015 629	RING
5/1	2 610 316 596	TERMINAL	724	2 610 906 283	COLLET CHUCK
6	3 600 707 503	GROMMET	724	2 610 906 287	COLLET CHUCK
7	2 601 035 001	CABLE CLIP	724	2 610 906 284	COLLET CHUCK
8	2 610 919 812	NAMEPLATE	804	2 610 997 157	ON-OFF SWITCH
9	2 610 998 370	REFERENCE PLATE	805	3 604 460 515	POWER SUPPLY CORD
13	2 610 917 489	DEEP-GROOVE BALL BEARING	810	2 610 997 152	CARBON-BRUSH SET
14	3 600 900 526	DEEP-GROOVE BALL BEARING	834	2 610 996 147	BASE PLATE
16	1 604 336 008	BRUSH HOLDER	840	2 610 910 606	LOCKING DEVICE
18	2 610 904 114	SCREW	848	2 610 923 615	BELLOWS
20	2 610 998 371	LABEL	852	2 610 997 148	LOCKING LEVER
21	1 614 652 001	SPIRAL SPRING	854	2 610 914 129	FINE-ADJUSTING DEVICE
22	2 610 925 811	CONNECTING CABLE	855	2 610 996 149	CONVERSION GEAR
23	2 610 921 057	BEARING SLEEVE			
27	2 610 996 083	HOUSING COVER			
28	2 610 996 148	FAN HOUSING			
30	2 610 996 106	HANDLE			
31	2 610 996 107	HANDLE			
35	2 610 996 111	BASE PLATE			
36	2 916 011 892	PLAIN WASHER			
41	3 600 149 500	SPRING RETAINING RING			
42	2 610 302 855	RING			
43	2 610 996 118	BAFFLE			
44	2 610 996 119	LOCK BOLT			
45	2 610 996 120	COMPRESSION SPRING			
47	1 607 233 176	SPEED GOVERNOR			
49	2 610 997 139	NUT			
50	2 610 996 125	LOCKING BOLT			
53	2 610 996 128	CLAMPING SPRING			
59	2 610 913 476	WASHER			
60	2 600 590 006	RATCHET CAP			
61	3 603 231 539	KNOB			
62	2 610 996 135	LOCKING LEVER			
63	2 610 996 136	DEPTH-GAUGE			
65	2 610 909 058	DEPTH-GAUGE			
66	2 610 921 140	SPRING WASHER			
67	1 601 030 022	TAB WASHER			
68	2 610 997 003	BUTTON			
69	2 610 996 138	SPRING CLIP			
70	2 610 996 139	COVER PLATE			
73	2 610 996 141	ROTARY KNOB			
74	2 610 918 049	SCREW			
76	2 603 490 021	TORX OVAL-HEAD SCREW			
77	2 610 996 142	SCREW			
78	3 603 415 560	THREAD-FORMING TAP. SCREW			
79	2 610 996 143	SCREW			
80	2 610 913 441	SCREW			
81	2 610 915 161	SCREW			
84	2 910 951 118	OVAL-HEAD SCREW			
87	2 610 913 573	O-RING			
88	2 610 997 008	WASHER			
90	2 610 925 812	CONNECTING CABLE			
91	2 610 913 825	SCREW			
92	2 610 909 072	NUT			
651	2 610 991 370	LOCATING RING			