

## Reciprocating saw - 0 601 641 739 - 1641 VSK

www.powertools-aftersaleservice.com

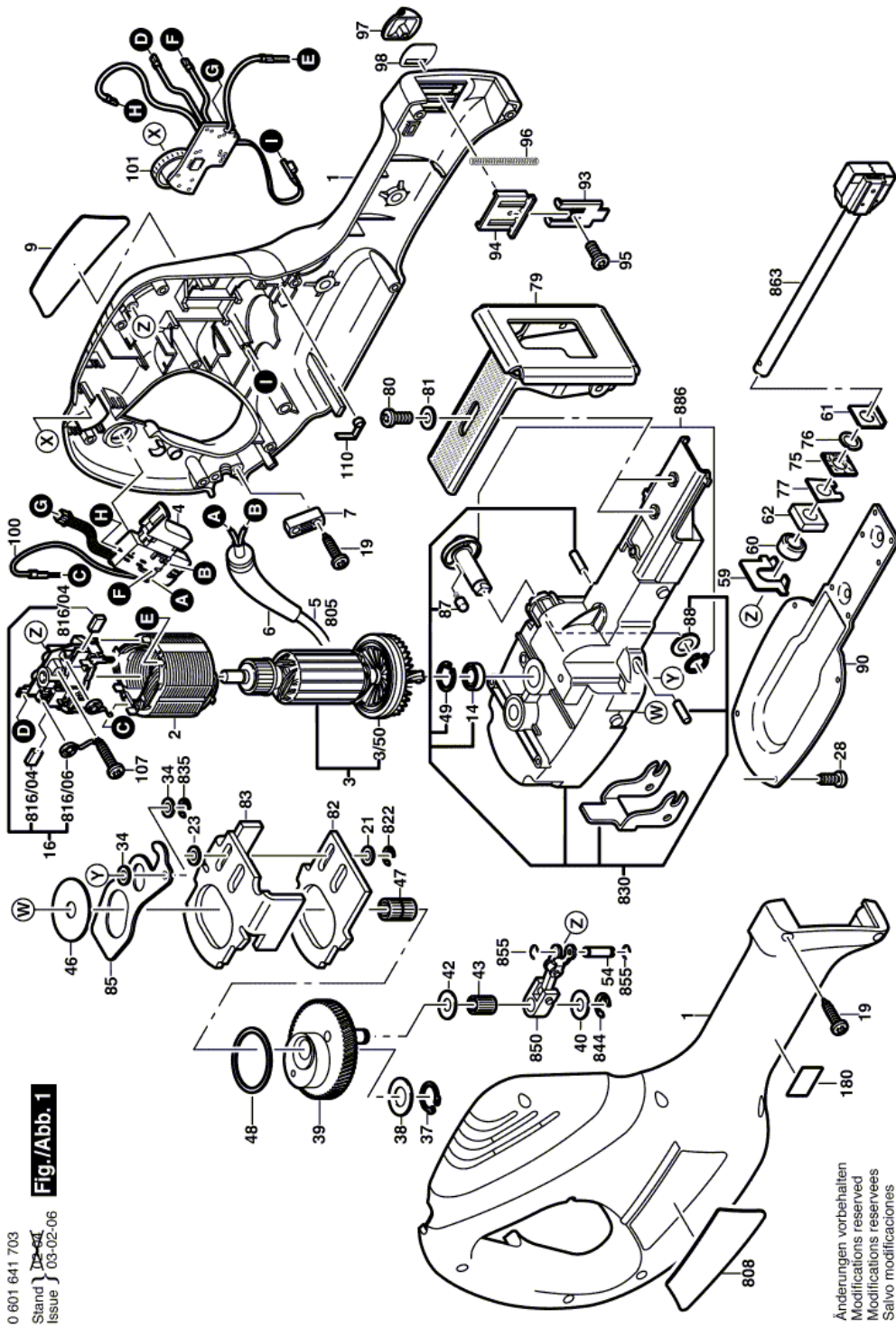



**BOSCH**

Item	Part Number	Description	Illustration	Price	Quantity	Price Group
	1 2 605 104 602	Housing Section BLUE	1	-,-	1	33
	2 2 604 220 617	Field 100-115V	1	-,-	1	30
	3 2 604 011 187	Armature 100-115V	1	-,-	1	42
	3/50 2 606 610 089	Fan	1	-,-	1	17
	4 2 607 200 530	On-Off Switch	1	-,-	1	-
	5 2 604 460 240	Power supply cord USA/CAN/ SMA 4,15m 2 x 0,82mm SJ 18/2	1	-,-	1	31
	6 2 600 703 018	Grommet Ø7,3-Ø8,6x76 MM	1	-,-	1	13
	7 2 601 035 001	Cable Clip	1	-,-	1	11
	9 2 601 119 606	Sticker	1	-,-	1	15
	14 2 600 905 095	Deep-Groove Ball Bearing 9x24x7	1	-,-	1	24
	16 2 605 807 083	Brush Plate	1	-,-	1	30
	19 2 603 490 022	Torx Oval-Head Screw 4x16	1	-,-	11	10
	21 2 600 100 525	Shim	1	-,-	1	13
	23 2 600 100 103	Shim	1	-,-	1	12
	28 2 603 410 049	Thread-forming tap. Screw M4x12 MM	1	-,-	10	11
	34 2 600 100 040	Shim	1	-,-	2	11
	37 2 916 650 903	Spring retaining ring DIN 471-12x1-FSTM	1	-,-	1	10
	38 2 600 105 001	Shim	1	-,-	1	12
	39 2 606 320 061	Eccentric Cog Wheel	1	-,-	1	37
	40 2 600 100 647	Shim 1,0 MM	1	-,-	1	11
	42 2 600 101 048	Shim 0,5 MM	1	-,-	1	11
	43 2 600 913 003	Needle-Roller Assembly	1	-,-	1	15
	46 2 600 105 003	Shim	1	-,-	1	13
	47 2 600 913 008	Needle-Roller Assembly	1	-,-	1	22
	48 2 600 105 004	Shim	1	-,-	1	12
	49 2 916 660 008	Spring retaining ring DIN 472-24x1,2 MM	1	-,-	1	11
	54 2 603 105 065	Pivot Pin	1	-,-	1	14
	59 2 601 334 010	Guiding Plate	1	-,-	1	14
	60 2 600 302 017	Sintered-Metal Bushing	1	-,-	1	18
	61 2 601 334 011	Sealing disk	1	-,-	1	12
	62 2 600 108 078	Felt Disc	1	-,-	1	11
	75 2 601 015 082	Rubber Gasket 1 MM	1	-,-	1	17
	76 2 600 101 038	Scraper	1	-,-	1	11

Item	Part Number	Description	Illustration	Price	Quantity	Price Group
77	2 601 334 012	Guiding Plate	1	-,-	1	11
79	2 608 000 222	Base Plate	1	-,-	1	33
80	2 603 414 007	Oval-Head Screw M 5x10	1	-,-	2	11
81	3 600 100 002	Plain Washer	1	-,-	2	11
82	2 608 012 008	Counterweight	1	-,-	1	22
83	2 608 012 009	Counterweight	1	-,-	1	25
85	2 601 923 011	Fork Lever	1	-,-	1	20
87	2 600 590 006	Ratchet Cap	1	-,-	1	11
88	2 600 100 577	Shim 0,5 MM	1	-,-	1	11
88	2 600 100 575	Shim 0,2 MM	1	-,-	1	12
90	2 605 500 142	Gear Cover	1	-,-	1	19
93	2 608 005 069	Guide Plate	1	-,-	1	13
94	2 608 005 061	Carrier	1	-,-	1	15
95	2 603 490 017	Torx Oval-Head Screw 3x10	1	-,-	1	10
96	2 604 610 064	Sealing disk	1	-,-	1	12
97	2 602 026 077	Push-Button	1	-,-	1	14
98	2 601 098 069	Slide Plate	1	-,-	1	12
100	2 604 448 217	Earth Conductor	1	-,-	1	15
101	2 607 230 061	Speed governor 100-115V	1	-,-	1	38
107	2 603 490 024	Torx Oval-Head Screw 4x25	1	-,-	2	11
110	2 601 329 057	Contact Spring	1	-,-	1	11
808	2 601 119 823	Nameplate	1	-,-	1	-
816/04	2 604 320 914	Carbon-Brush Set	1	-,-	1	19
816/06	1 604 652 013	Spiral Spring	1	-,-	2	11
822	2 916 080 909	Locking Washer DIN 6799-6-FST	1	-,-	1	10
830	2 605 806 899	Gear Housing	1	-,-	1	43
835	2 916 080 008	Locking Washer DIN 6799-5-FSt	1	-,-	1	10
844	2 916 080 910	Locking Washer DIN 6799-7-FSt	1	-,-	1	10
850	2 602 130 902	Connecting Rod	1	-,-	1	31
855	2 916 080 007	Locking Washer DIN 6799-4-FSt	1	-,-	1	10
863	2 600 780 907	Lifting Rod	1	-,-	1	41
886	2 602 026 903	Change-Over Switch	1	-,-	1	20

Illustration - Type E



0 601 641 703  
 Stand)   
 Issue } 03-02-06

**Fig./Abb. 1**

Änderungen vorbehalten  
 Modifications reserved  
 Modificaciones reservadas  
 Salvo modificaciones

Information subject to change without further notice.