

Router - 0 601 638 339 - 1639

www.powertools-aftersaleservice.com

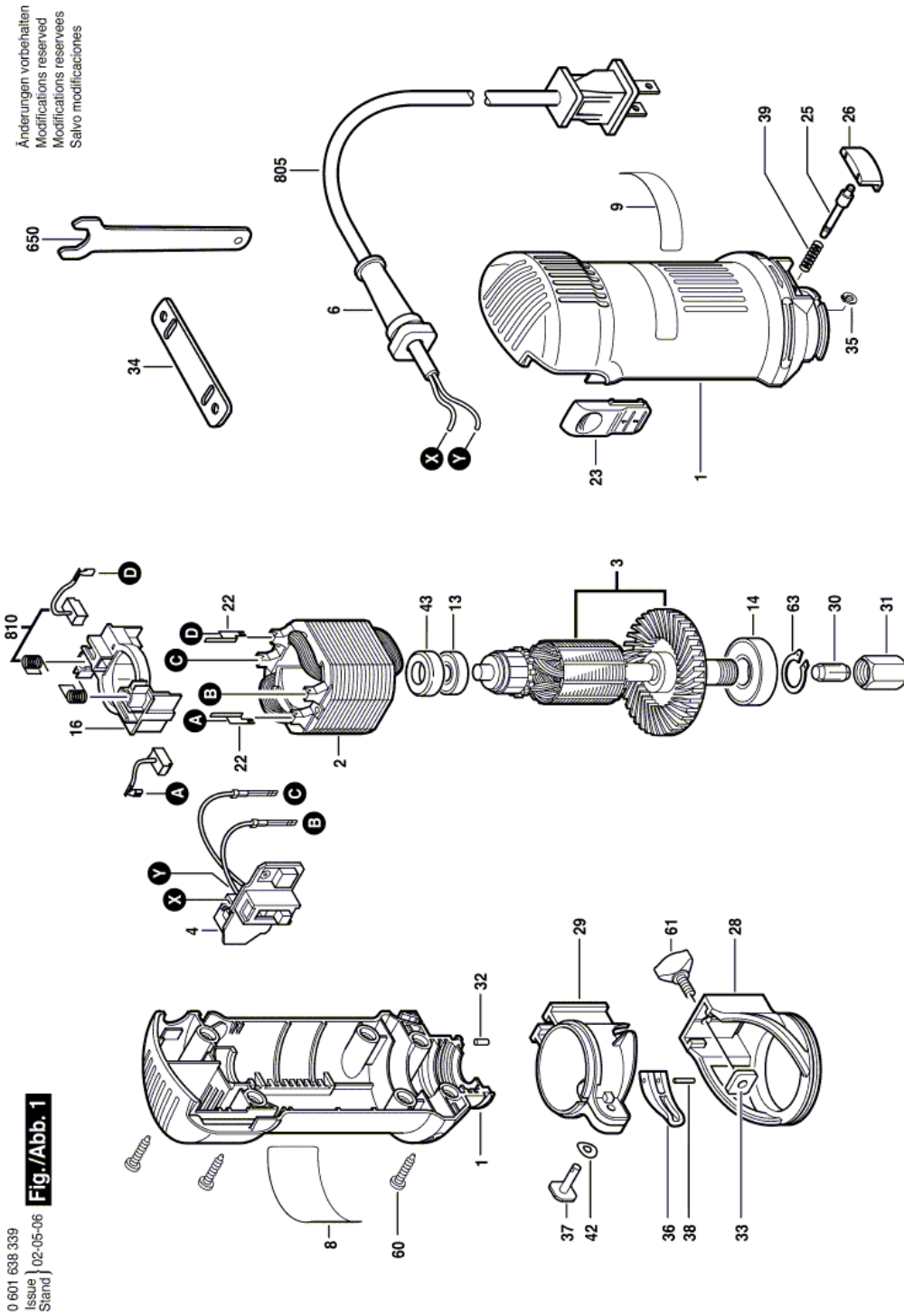


BOSCH

Item	Part Number	Description	Illustration	Price	Quantity	Price Group
1	2 610 915 886	Motor Housing	1	-,-	1	-
2	2 610 908 726	Field 120V	1	-,-	1	33
3	2 610 912 422	Armature 120V	1	-,-	1	39
4	2 610 914 411	On-Off Switch	1	-,-	1	-
6	2 610 907 639	Grommet	1	-,-	1	14
8	2 610 914 419	Nameplate	1	-,-	1	-
9	2 610 914 423	Adhesive Label	1	-,-	1	-
13	2 610 351 861	Ball Bearing	1	-,-	1	23
14	2 610 968 044	Ball Bearing	1	-,-	1	25
16	2 610 910 144	Brush Holder	1	-,-	1	25
22	2 610 911 982	Terminal	1	-,-	2	11
23	2 610 914 425	Reference Plate	1	-,-	1	17
25	2 610 909 200	Detent Pin	1	-,-	1	15
26	2 610 909 249	Push-Button	1	-,-	1	14
28	2 610 914 426	Base Plate	1	-,-	1	25
29	2 610 914 427	Collar Sleeve	1	-,-	1	26
30	2 615 295 093	Collet 1/8"	1	-,-	1	16
30	2 615 295 091	Collet 1/4"	1	-,-	1	23
31	2 610 909 214	Nut	1	-,-	1	17
32	2 610 350 103	Pin	1	-,-	1	11
33	2 610 913 184	Adjusting Wrench	1	-,-	1	16
34	2 610 909 216	Holder	1	-,-	1	-
35	2 610 909 201	Locating ring	1	-,-	1	11
36	2 610 913 177	Lever	1	-,-	1	18
37	2 610 913 649	Clamp	1	-,-	1	17
38	2 610 907 951	Pivot Pin	1	-,-	1	12
39	2 610 909 202	Compression Spring	1	-,-	1	11
42	2 610 907 954	Spring Washer	1	-,-	1	11
43	2 610 968 477	Sleeve	1	-,-	1	15
60	1 619 X00 504	Screw	1	-,-	7	10
61	2 610 914 431	Knob	1	-,-	1	16
63	2 916 650 006	Spring retaining ring DIN 471-15x1-FSt	1	-,-	1	11
650	2 610 909 215	Adjusting Wrench	1	-,-	1	16

Item	Part Number	Description	Illustration	Price	Quantity	Price Group
805	3 604 460 555	Power supply cord USA/CDN 2,15m 2 x 0,82mm SJ 18/2	1	-,-	1	24
810	2 610 353 931	Carbon-Brush Set	1	-,-	1	22

Illustration - Type E



Information subject to change without further notice.