

Router - 0 601 617 039 - 1617

www.powertools-aftersaleservice.com

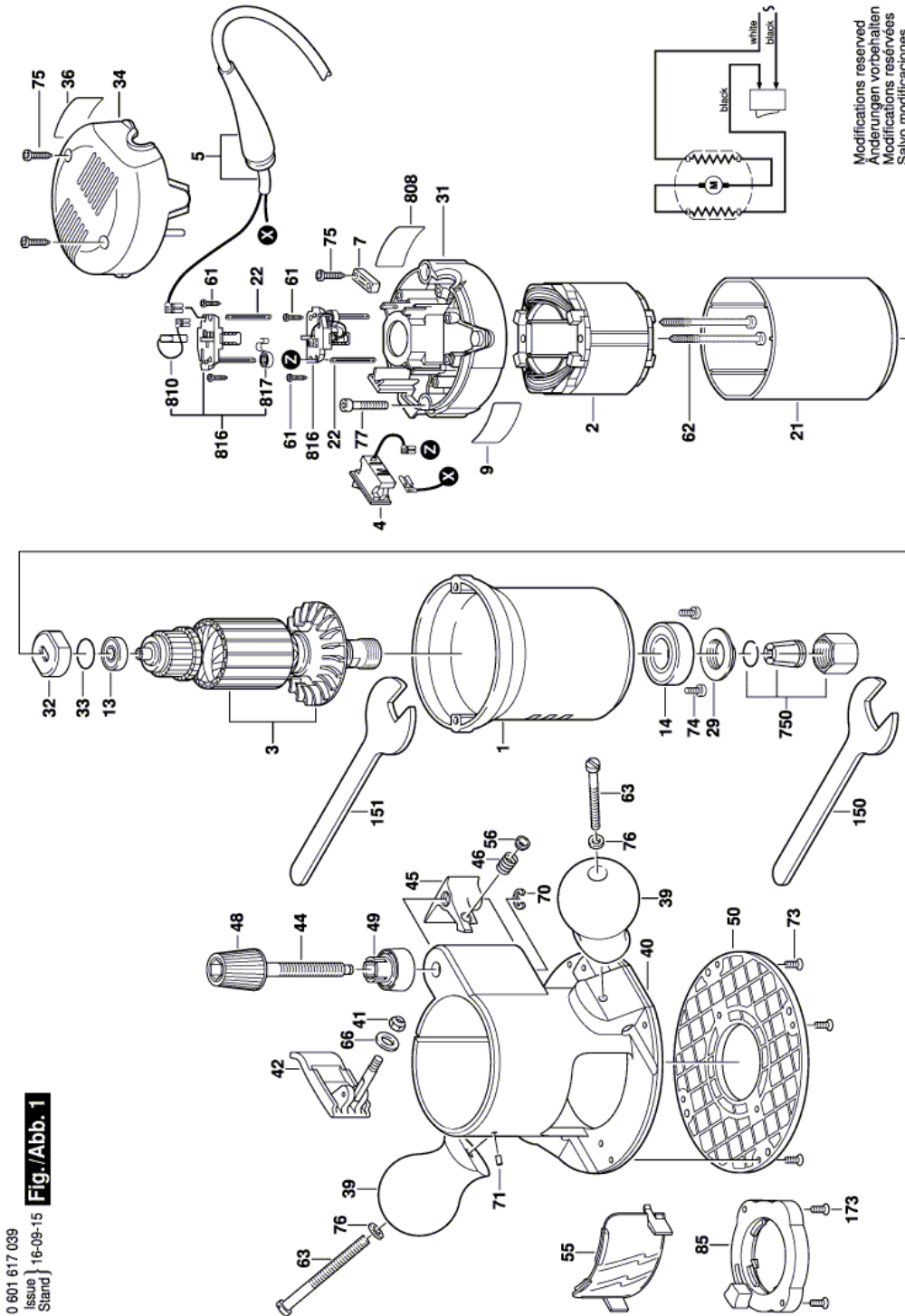


BOSCH

Item	Part Number	Description	Illustration	Price	Quantity	Price Group
1	2 610 922 584	Motor Housing	1	-,-	1	34
2	2 610 022 297	Field 120V	1	-,-	1	-
3	2 610 022 298	Armature With Fan 120V	1	-,-	1	-
4	2 610 016 525	On-Off Switch	1	-,-	1	21
5	2 610 994 440	Power supply cord	1	-,-	1	-
7	2 601 035 001	Cable Clip	1	-,-	1	11
9	2 610 915 243	Nameplate	1	-,-	1	-
13	3 600 905 513	groove ball bearing	1	-,-	1	24
14	3 600 905 512	groove ball bearing	1	-,-	1	27
21	2 610 009 656	Insulating Sleeve	1	-,-	1	22
22	1 604 477 005	Blade terminal	1	-,-	2	11
29	2 610 993 582	Nut	1	-,-	1	16
31	2 610 941 007	Rear Housing Section	1	-,-	1	23
32	2 610 991 375	Bearing Holder	1	-,-	1	18
33	1 900 210 115	O-Ring	1	-,-	1	13
34	2 610 927 708	Housing Cover	1	-,-	1	21
36	2 610 994 107	Reference Plate	1	-,-	1	15
39	2 610 991 387	Handle	1	-,-	2	24
40	2 610 922 551	Base	1	-,-	1	-
41	1 613 300 006	Hex Nut M6	1	-,-	1	11
42	2 610 915 060	Clamping Lever	1	-,-	1	20
44	2 610 991 384	Adjusting Shaft	1	-,-	1	-
45	2 610 991 385	Lever	1	-,-	1	19
46	2 610 991 371	Spring	1	-,-	1	12
48	2 610 993 576	Adjusting Device	1	-,-	1	13
49	2 610 993 577	Ring	1	-,-	1	14
50	2 610 928 164	Cover Plate	1	-,-	1	28
55	2 610 991 389	Chip Deflector	1	-,-	1	19
56	2 610 991 372	Cover	1	-,-	1	10
61	2 603 490 017	Torx Oval-Head Screw 3x10	1	-,-	4	10
62	2 610 991 306	Tapping Screw	1	-,-	2	11
63	2 910 011 219	Socket head cap screw DIN 84-BM6x70-5.8	1	-,-	2	11
66	2 918 660 004	Washer DIN 126-9-A2	1	-,-	1	10

Item	Part Number	Description	Illustration	Price	Quantity	Price Group
70	2 610 996 054	Retaining snap ring	1	-,-	1	11
71	2 610 994 492	Bolt	1	-,-	1	10
73	2 610 915 161	Screw	1	-,-	4	15
74	2 910 641 120	Oval-Head Screw	1	-,-	2	10
75	2 610 910 566	Tapping Screw	1	-,-	4	11
76	2 916 011 013	Plain Washer DIN 433-6,4-ST 50	1	-,-	2	10
77	2 910 141 166	Hex Socket Head Cap Screw DIN 912-M 5x30-8.8	1	-,-	2	11
85	2 610 991 370	Guide Sleeve	1	-,-	1	33
150	2 610 992 417	Single-Head Eng. Wrench	1	-,-	1	27
151	2 610 991 388	Single-Head Eng. Wrench	1	-,-	1	22
173	2 910 871 122	Countersunk-Head Screw DIN 965-M4x12-8.8	1	-,-	2	12
750	2 610 956 672	Assembly 1/4"	1	-,-	1	-
750	2 610 018 974	Collet 3/8"	1	-,-	1	37
750	2 610 001 496	Assembly 1/2"	1	-,-	1	30
750	2 610 006 911	Collet 8 mm	1	-,-	1	36
808	2 610 907 627	Nameplate	1	-,-	1	-
810	2 610 007 957	Carbon-Brush Set	1	-,-	1	23
816	3 604 336 506	Brush Holder	1	-,-	1	30
817	3 604 652 501	Spiral Spring	1	-,-	1	15

Illustration - Type E



Information subject to change without further notice.