

Router - 0 601 615 034 - 1615

www.powertools-aftersaleservice.com



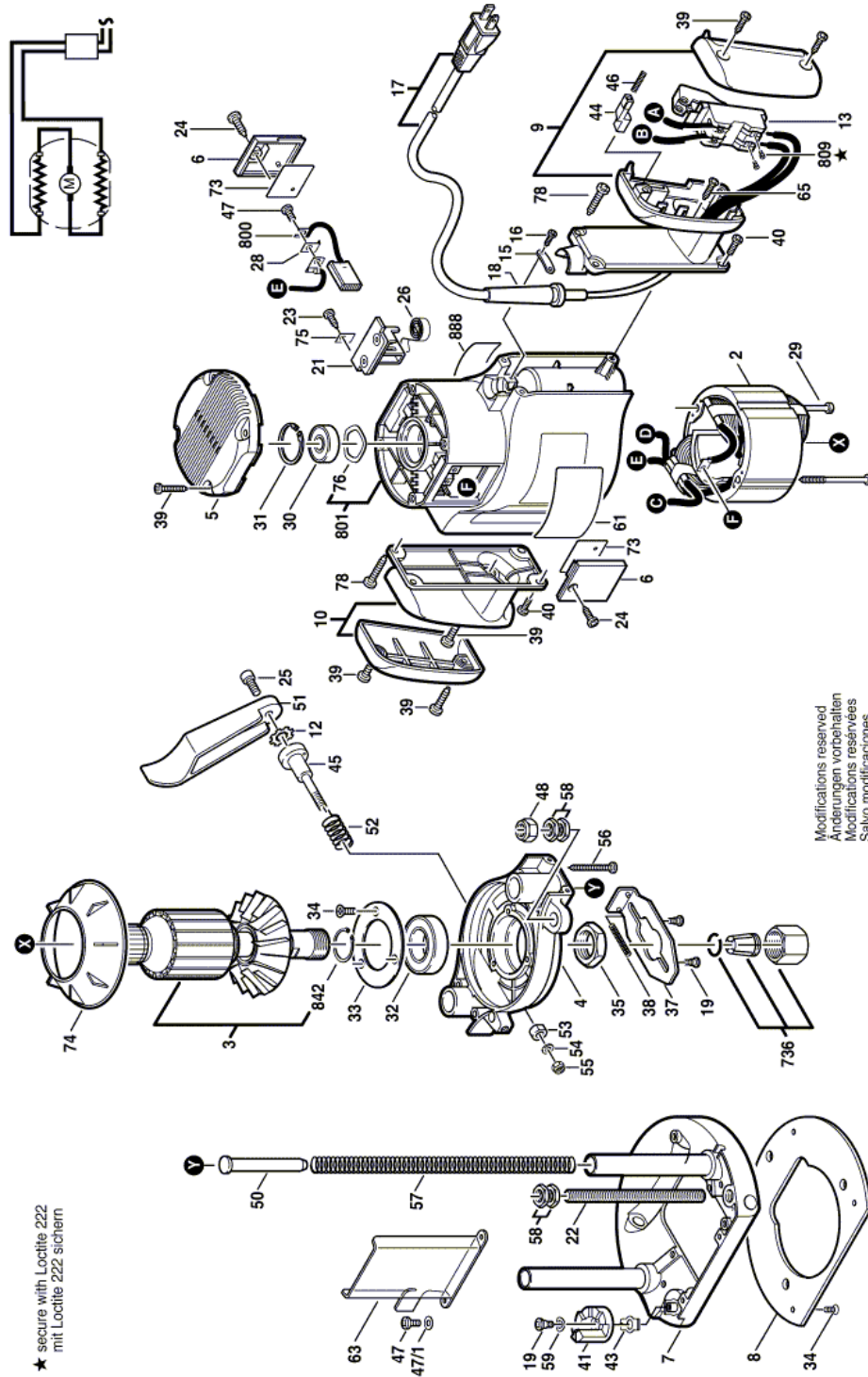
BOSCH

Item	Part Number	Description	Illustration	Price	Quantity	Price Group
2	3 604 220 530	Field 115V	1	-,-	1	41
3	3 604 011 626	Armature 115V	1	-,-	1	52
4	3 605 702 592	Fan Housing	1	-,-	1	44
5	3 605 500 575	Housing Cover	1	-,-	1	21
6	3 605 500 596	Sealing cap	1	-,-	2	14
7	3 605 702 595	Base Plate	1	-,-	1	47
8	3 600 190 515	Intermediate Plate	1	-,-	1	22
9	3 605 133 519	Handle BLUE	1	-,-	1	27
10	3 605 133 520	Handle BLUE	1	-,-	1	27
12	3 600 190 516	Toothed lock washer	1	-,-	1	13
13	3 607 200 510	On-Off Switch	1	-,-	1	34
15	3 601 032 500	Fastening Clamp	1	-,-	1	20
16	2 910 611 011	Tapping Screw DIN 7981-ST3,5x13-C-H	1	-,-	2	10
17	3 604 460 639	Power supply cord USA 3,048m 2 x 2,08mm SJT 14/2	1	-,-	1	28
18	3 600 707 503	Grommet Ø 9,4 MM	1	-,-	1	13
19	3 603 415 556	Pan head screw M4	1	-,-	3	13
21	1 604 336 008	Brush Holder	1	-,-	2	20
22	3 603 500 500	Threaded Spindle	1	-,-	1	22
23	2 910 611 018	Tapping Screw DIN 7981-ST3,9x13-C-H	1	-,-	2	11
24	2 910 611 019	Tapping Screw DIN 7981-ST3,9x16-C-H	1	-,-	2	13
25	2 910 141 197	Hex Socket Head Cap Screw DIN 912-M6x16-8.8	1	-,-	1	10
26	1 614 652 001	Spiral Spring	1	-,-	2	15
28	1 611 331 007	Tab Washer	1	-,-	2	11
29	1 613 412 001	Tapping Screw B 4,8x68 MM	1	-,-	2	11
30	1 900 905 276	groove ball bearing 6200-2 RS/C 3	1	-,-	1	32
31	3 600 119 507	Spring retaining ring	1	-,-	1	13
32	3 600 900 526	groove ball bearing	1	-,-	1	33
33	3 600 034 503	fixing plate	1	-,-	1	20
34	3 603 415 559	Rec ct-sunk tapping screw	1	-,-	7	13
35	3 603 301 522	Hex Nut	1	-,-	1	22
37	3 601 961 500	Retaining Bracket	1	-,-	1	20
38	3 604 613 502	Compression Spring	1	-,-	2	13

Item	Part Number	Description	Illustration	Price	Quantity	Price Group
	39 2 910 611 034	Screw DIN 7982-ST4,8x19		1	-,-	9 13
	40 3 603 415 540	Screw 4x13 MM		1	-,-	4 13
	41 3 600 232 503	Depth-Gauge		1	-,-	1 24
	43 3 601 254 501	Leaf Spring		1	-,-	1 22
	44 3 602 033 501	Locking Lever		1	-,-	1 14
	45 3 603 053 503	Axle		1	-,-	1 32
	46 3 604 613 503	Compression Spring		1	-,-	1 13
	47 2 910 951 118	Oval-Head Screw DIN 7985-M4x8-8.8-H		1	-,-	4 11
	47/1 2 916 011 010	Plain Washer DIN 125-A4,3-ST		1	-,-	2 10
	48 2 915 065 007	Hex Nut DIN 985-M10-10		1	-,-	1 13
	50 3 603 120 501	Guide Piece		1	-,-	2 14
	51 3 602 000 511	Catch Lever		1	-,-	1 25
	52 3 604 651 501	Clamping Spring		1	-,-	1 13
	53 3 602 202 500	Adjusting Eccentric		1	-,-	1 27
	54 2 916 011 010	Plain Washer DIN 125-A4,3-ST		1	-,-	1 10
	55 2 915 061 002	Hex Nut DIN 985-M4-8		1	-,-	1 10
	56 2 610 908 660	Tapping Screw 19x2 MM		1	-,-	4 13
	57 3 604 619 502	Compression Spring		1	-,-	2 13
	58 2 915 055 108	Hex Nut DIN 439-BM10-04		1	-,-	4 -
	59 3 916 060 500	Spring Washer		1	-,-	1 10
	61 2 610 907 002	Reference Plate		1	-,-	1 -
	63 3 605 510 526	Protective Shield		1	-,-	1 22
	65 2 910 601 433	Rec ct-sunk tapping screw DIN 7982-ST4,8x18-F-H		1	-,-	1 -
	73 3 601 007 502	Insulating Tube		1	-,-	2 11
	74 3 600 590 504	Air-Deflector Ring		1	-,-	1 17
	75 1 601 030 022	Tab Washer		1	-,-	2 11
	76 3 916 060 501	Spring Washer		1	-,-	1 -
	78 2 910 611 036	Tapping Screw DIN 7981-ST4,8x25-C-H		1	-,-	4 10
	652/0 1 607 950 514	Single-Head Eng. Wrench SW12		2	-,-	1 28
	652/2 3 605 700 511	Intermediate Plate		2	-,-	1 31
	652/3 3 603 415 553	Socket head cap screw		2	-,-	2 13
	652/4 3 603 029 500	Depth-Gauge		2	-,-	1 24
	652/5 1 613 480 008	Wing Screw M6x20 MM		2	-,-	1 11
	736 2 610 906 289	Collet 1/2"		1	-,-	1 36
	736 2 610 906 288	Collet 1/4"		1	-,-	1 35
	736 2 610 906 294	Collet 3/8"		1	-,-	1 36
	753 3 608 939 611	Vacuum Adapter		2	-,-	1 39
	753/3 3 607 929 500	Brush-Cover		2	-,-	1 22
	753/4 2 910 761 164	Countersunk-Head Screw DIN 963-M5x25-4.8		2	-,-	2 13
	753/5 3 603 345 509	Knurled Nut		2	-,-	2 14
	753/6 2 916 011 012	Plain Washer DIN 125-A5,3-ST		2	-,-	2 10
	753/7 3 600 100 520	Spring Washer		2	-,-	2 12
	755 3 608 939 661	Vacuum Adapter		2	-,-	1 -
	755/3 3 604 619 503	Compression Spring		2	-,-	1 -
	755/5 2 916 012 018	Plain Washer DIN 125-A10,5-ST		2	-,-	1 10
	797 2 610 906 286	Parallel-Guide		2	-,-	1 47
	797/2 3 600 400 508	Locking Piece		2	-,-	1 22
	797/3 3 600 360 508	Adjustment Knob		2	-,-	1 18
	797/4 3 603 001 518	Guide Rod 10 MM		2	-,-	2 22
	797/5 1 613 480 008	Wing Screw M6x20 MM		2	-,-	3 11
	797/6 3 602 386 507	Guide Plate		2	-,-	2 23
	797/7 3 602 386 508	Curve Slide		2	-,-	1 22
	797/8 3 602 386 509	Curve Slide		2	-,-	1 22

Item	Part Number	Description	Illustration	Price	Quantity	Price Group
797/9	3 603 345 509	Knurled Nut	2	-,-	2	14
797/10	2 910 281 176	Round-Head Bolt DIN 603 - M5x55	2	-,-	2	15
797/11	3 601 119 794	Sticker	2	-,-	1	17
797/12	1 613 480 008	Wing Screw M6x20 MM	2	-,-	2	11
800	1 607 014 103	Carbon-Brush Set	1	-,-	1	26
801	3 605 108 589	Motor Housing BLUE	1	-,-	1	41
809	2 603 410 001	Socket head cap screw M3x6,5-4.8	1	-,-	4	11
842	2 916 650 014	Spring retaining ring DIN 471 25x1,2	1	-,-	1	11
888	3 601 119 595	Nameplate	1	-,-	1	15

Illustration - Type E

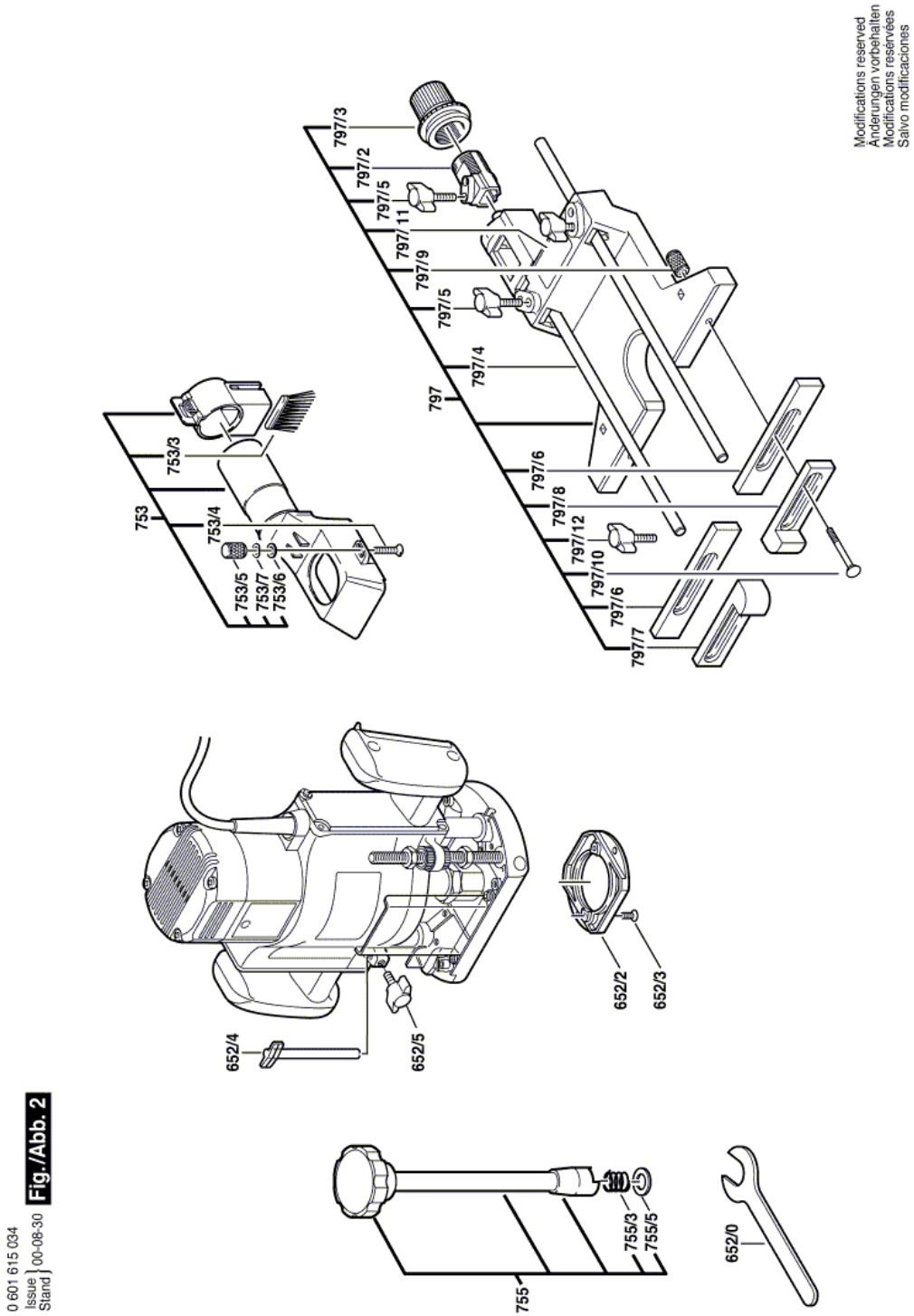


0 601 615 034
 Issue 00-08-30
 Stand
Fig./Abb. 1

★ secure with Loctite 222
 mit Loctite 222 sichern

Modifications reserved
 Änderungen vorbehalten
 Modifications réservées
 Salvo modificaciones

Illustration - Type E



Information subject to change without further notice.