

Router - 0 601 613 663 - 1613AEVS

www.powertools-aftersaleservice.com

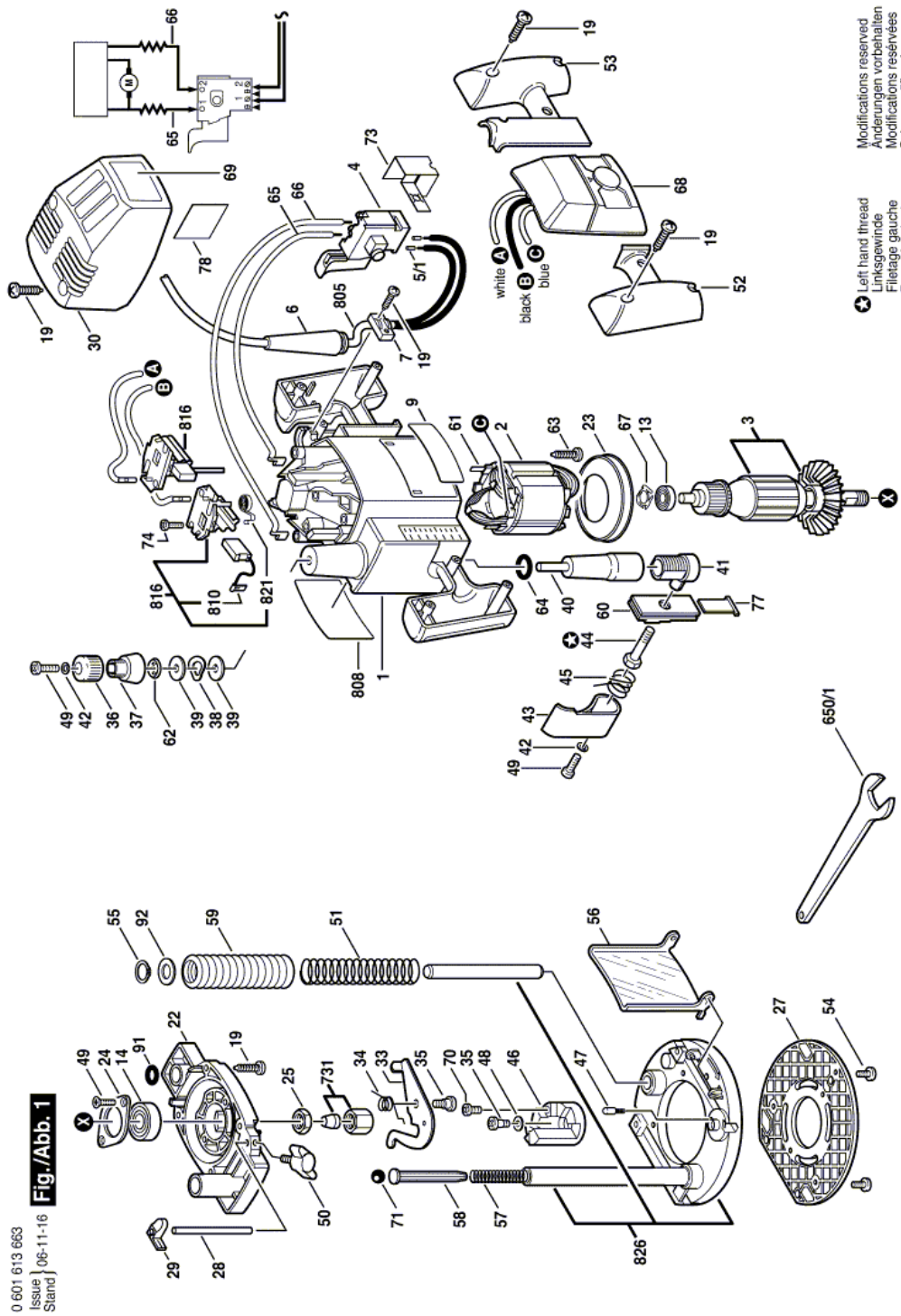


BOSCH

Item	Part Number	Description	Illustration	Price	Quantity	Price Group
	1 3 605 108 584	Motor Housing BLUE	1	-,-	1	35
	2 2 610 934 202	Field 120V	1	-,-	1	41
	3 2 610 934 201	Armature 120V	1	-,-	1	51
	4 2 607 200 251	On-Off Switch	1	-,-	1	25
	5/1 3 604 477 009	End Splice	1	-,-	2	11
	6 2 610 947 359	Grommet	1	-,-	1	14
	7 2 601 035 001	Cable Clip	1	-,-	1	11
	9 2 610 998 941	Reference Plate	1	-,-	1	-
	13 3 600 905 513	groove ball bearing	1	-,-	1	24
	14 3 600 905 512	groove ball bearing	1	-,-	1	27
	19 2 610 910 566	Tapping Screw	1	-,-	15	11
	22 2 610 997 096	Housing	1	-,-	1	41
	23 3 600 590 508	Air-Deflector Ring	1	-,-	1	15
	24 3 600 034 506	Retaining Plate	1	-,-	2	17
	25 3 603 300 502	Hex Nut	1	-,-	1	17
	27 2 610 997 099	Cover Plate	1	-,-	1	29
	28 2 610 997 093	Rod	1	-,-	1	20
	29 2 610 997 094	Pointer	1	-,-	1	19
	30 2 610 943 199	Housing Cover	1	-,-	1	28
	33 3 601 021 510	Swing-Plate	1	-,-	1	20
	34 3 604 651 502	Torsion Spring	1	-,-	1	13
	35 3 603 415 556	Pan head screw M4	1	-,-	3	13
	36 3 603 231 539	Knob	1	-,-	1	13
	37 3 600 209 500	Indicator Ring	1	-,-	1	16
	38 3 600 100 528	Spring Washer	1	-,-	1	12
	39 3 600 100 527	Washer	1	-,-	2	14
	40 3 600 360 507	Adjusting Sleeve	1	-,-	1	26
	41 3 600 400 507	Locking Piece	1	-,-	1	17
	42 2 916 680 005	Spring Lock Washer B 4 DIN 127	1	-,-	2	10
	43 3 602 000 510	Locking Lever	1	-,-	1	14
	44 3 603 450 504	Lock Bolt	1	-,-	1	17
	45 3 604 651 503	Compression Spring	1	-,-	1	13
	46 2 610 945 301	Stop Plate	1	-,-	1	23

Item	Part Number	Description	Illustration	Price	Quantity	Price Group
47	2 600 590 006	Ratchet Cap	1	-,-	1	11
48	3 916 060 500	Spring Washer	1	-,-	1	10
49	2 910 641 122	Oval-Head Screw DIN 7985-M4X12-4.8-H	1	-,-	4	13
50	1 613 480 009	Wing Screw M6x25 MM	1	-,-	1	11
51	2 610 997 100	Compression Spring	1	-,-	1	13
52	2 610 943 197	Handle Cover	1	-,-	1	22
53	2 610 943 198	Handle Cover	1	-,-	1	23
54	2 610 915 161	Screw	1	-,-	3	15
55	2 916 650 003	Spring retaining ring DIN 471-12x1-FSt	1	-,-	1	11
56	2 610 912 599	Chip Deflector	1	-,-	1	20
57	3 604 613 508	Compression Spring	1	-,-	1	13
58	3 603 120 502	Guide Piece	1	-,-	1	14
59	3 605 510 548	Bellows	1	-,-	2	18
60	3 601 010 519	Cover	1	-,-	1	14
61	1 604 477 005	Blade terminal	1	-,-	2	11
62	3 604 680 502	Retaining snap ring	1	-,-	1	13
63	2 610 991 306	Tapping Screw	1	-,-	2	11
64	3 600 210 507	O-Ring	1	-,-	1	13
65	2 610 945 855	Cable	1	-,-	1	13
66	2 610 945 856	Cable	1	-,-	1	15
67	3 600 150 501	Spring Lock Washer	1	-,-	1	13
68	1 607 233 152	Control Unit	1	-,-	1	47
69	3 601 119 760	Sticker	1	-,-	1	15
70	3 603 410 504	Socket head cap screw	1	-,-	1	14
71	1 903 230 007	Ball DIN 5401-4 MM-III-ST	1	-,-	1	11
73	2 610 996 090	Set ring	1	-,-	1	11
74	2 910 611 006	Tapping Screw DIN 7981-ST2,9x13-C-H	1	-,-	4	11
77	3 601 010 521	Insert	1	-,-	1	15
78	3 601 007 504	Insulator	1	-,-	2	14
91	1 610 210 233	O-Ring 12,0x2,0 MM	1	-,-	1	12
92	2 610 913 282	Plain Washer	1	-,-	1	10
650/1	2 610 992 417	Single-Head Eng. Wrench	1	-,-	1	27
731	2 610 001 496	Assembly 1/2"	1	-,-	1	30
731	2 610 956 672	Assembly 1/4"	1	-,-	1	-
731	2 610 018 974	Collet 3/8"	1	-,-	1	37
805	3 604 460 514	Power supply cord USA/CDN 3,275m 2 x 1,32mm SJ 16/2	1	-,-	1	28
808	2 610 945 006	Nameplate	1	-,-	1	-
810	2 610 007 957	Carbon-Brush Set	1	-,-	1	23
816	2 610 013 632	Brush Holder	1	-,-	1	34
821	3 604 652 501	Spiral Spring	1	-,-	1	15
826	2 610 997 115	Base	1	-,-	1	43

Illustration - Type E



Information subject to change without further notice.