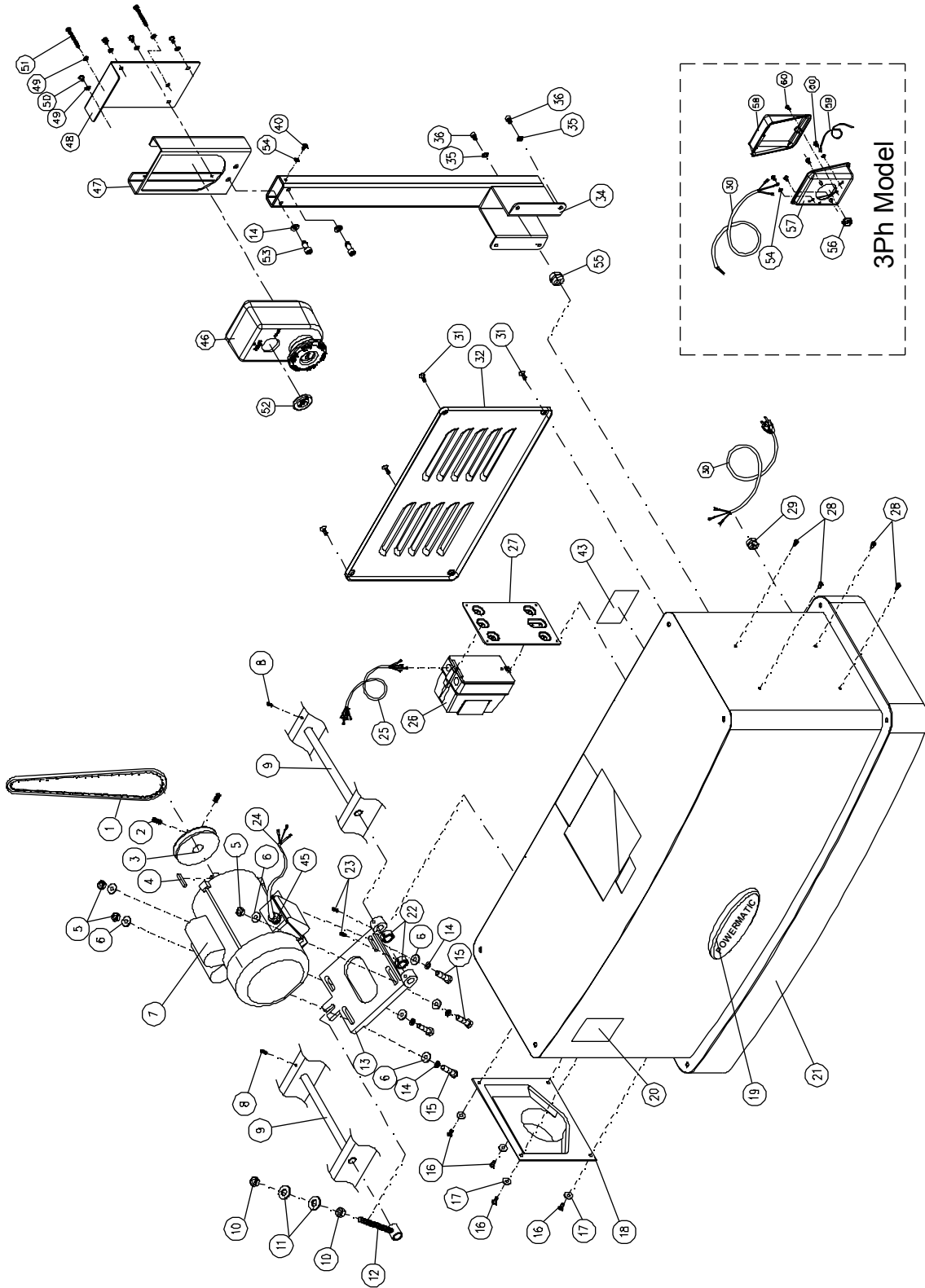


Parts List: Stand Assembly

Index No.	Part No.	Description	Size	Qty
1	VB-A50	Belt	A-50	1
2	TS-0267021	Socket Set Screw	1/4"-20x1/4"	2
3	PJ882-503	Motor Pulley		1
4	PJ882-205	Key	5x5x22	1
5	TS-0561021	Hex Nut	5/16"-18	4
6	TS-0680031	Flat Washer	5/16"	8
7	60B-415	Motor	2HP, 1Ph,230V	1
	60B-415MF	Motor Fan (not shown)		1
	60B-415MFC	Motor Fan Cover (not shown)		1
	60B-415CS	Centrifugal Switch (not shown)		1
	60B-415MDC	Motor Dustproof Cover (not shown)		1
	60B-415CC	Capacitor Cover (not shown)		2
	60B-415SC	Starting Capacitor (not shown)	400MFD, 125VAC	1
	60B-415RC	Running Capacitor (not shown)	30uf, 350VAC	1
	60B-415A	Motor	3HP,3Ph,230/460V	1
8	TS-0267041	Socket Set Screw	1/4"-20x3/8"	2
9	PJ882-509	Shaft		2
10	TS-1540071	Hex Nut	M10x1.5P	2
11	TS-1550071	Flat Washer	M10	2
12	PJ882-512	Bolt		1
13	PJ882-513	Motor Base Plate		1
14	TS-0720081	Lock Washer	5/16"	6
15	TS-0051071	Hex Cap Screw	5/16"-18x1-1/2"	4
16	TS-081F032	Pan Head Screw	1/4"-20x1/2"	4
17	TS-0680021	Flat Washer	1/4"	4
18	60B-425	Dust Chute		1
19	3520B-140	Powermatic Nameplate		1
20	6296150	Warning Label		1
21	PJ882-521	Stand	1PH	1
	PJ882-521A	Stand	3PH	1
22	PJ882-522	Bushing		2
23	TS-2276081	Socket Set Screw	M6x1.0Px8	2
24	PJ882-524	Motor Cord	1Ph	1
	PJ882-524A	Motor Cord	3Ph	1
25	PJ882-525A	Switch Cord		1
26	PJ882-526A	Magnetic Switch	1Ph 230V	1
	PJ882-526ACS	Contactors Switch (not shown)	1Ph 230V	1
	PJ882-526AOR	Overload Relays (not shown)		1
	PJ882-526B	Magnetic Switch	3Ph 230V	1
	PJ882-526BCS	Contactors Switch (not shown)	3PH 230V	1
	PJ882-526ORA	Overload Relay (not shown)		1
	PJ882-526C	Magnetic Switch	3Ph 460V	1
	PJ882-526CCS	Contactors Switch (not shown)	3Ph 460V	1
	PJ882-526COR	Overload Relay (not shown)		1
27	60B-448	Switch Plate		1
28	TS-1533032	Pan Head Screw	M5x0.8Px10	4
29	60B-440	Strain Relief	1Ph	1
	60B-440A	Strain Relief	3Ph	1
30	PJ882HH-530	Power Cord	1Ph	1
	PJ882HH-530A	Power Cord	3Ph	1
31	TS-081F051	Flat Head Screw	1/4"-20x3/4"	4
32	PJ882-532	Door		1
33	PJ882-533	Cord Protector	NB-1722	2
34	PJ882-534A	Switch Arm		1
35	TS-0680021	Flat Washer	1/4"	4
36	TS-0207011	Socket Head Cap Screw	1/4"-20x3/8"	4

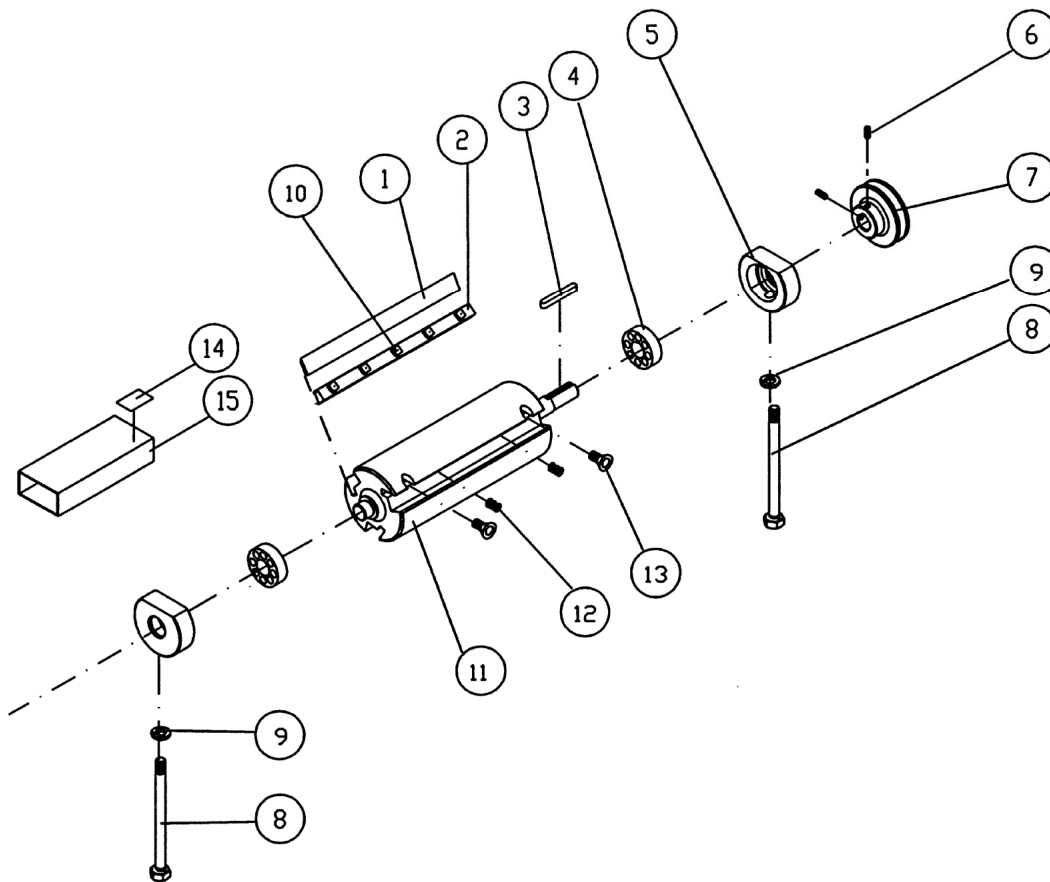
Index No.	Part No.	Description	Size	Qty
43	PJ882-543	Electric Label	1Ph	1
	PJ882-543A	Electric Label	3Ph	1
45	60B-447	Strain Relief	1Ph	1
	60B-447A	Strain Relief	3Ph	1
46	PJ882-546	Control Switch		1
47	PJ882-547	Switch Bracket		1
48	PJ882-548	Switch Plate		1
49	TS-1550031	Flat Washer	M5	6
50	JWBS18-447	Screw	M5x8	10
51	PJ882-551	Machine Screw	M5x50	2
52	PM2000-298	Safety Key For Switch		1
53	TS-0208041	Socket Head Cap Screw	5/16-18x3/4	2
54	TS-0732041	Star Washer	M5	3
55	60B-447	Strain Relief		1
56	PJ882-533	Cord Protector		1
57	PJ882-557	Junction Box		1
58	PJ882-558	Junction Box Cover		1
59	PJ882-559	Grounding Cord		1
60	TS-0810012	Slotted Round Head Machine Screw	#10-24x1/4	1
	PM2700-440	Wide Stripe (not shown)		sold per ft.
	PM2700-441	Narrow Stripe (not shown)		sold per ft.

Stand Assembly



Parts List: Cutterhead Assembly (Model PJ-882 only)

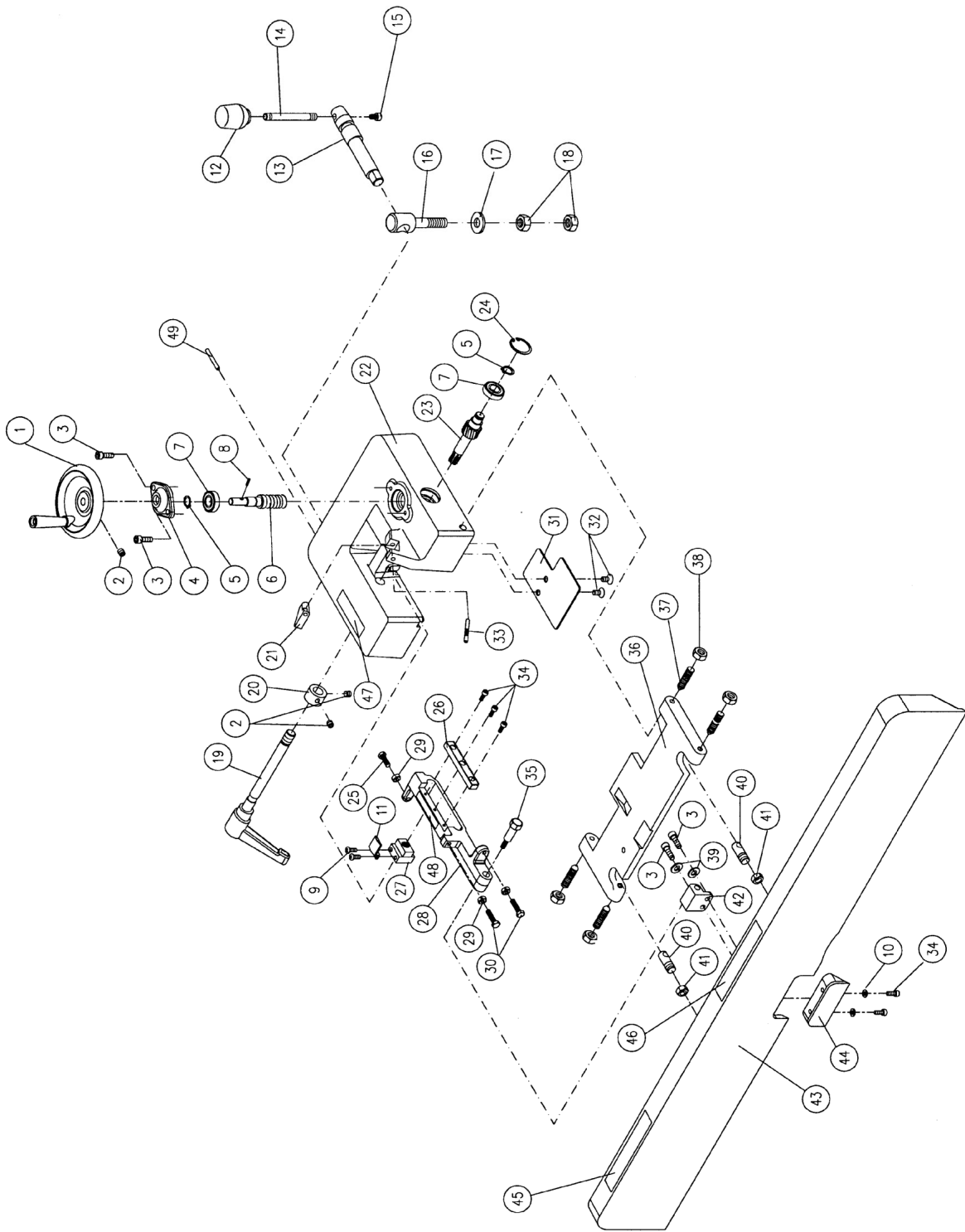
Index No.	Part No.	Description	Size	Qty
.....	PJ882-CHA	Cutterhead Assembly (Items 1 thru 5, and 10 thru 13)	
1.....	6296046	Knife		3
2.....	6296153	Knife Gib		3
3.....	6296048	Key	5x5x25 mm	1
4.....	BB-6204VV	Ball Bearing	6204-2NSE	2
5.....	PJ882-405	Bearing Housing		2
6.....	TS-0267021	Socket Set Screw	1/4"-20x1/4"	2
7.....	PJ882-407	Pulley		1
8.....	PJ882-408	Bolt		2
9.....	TS-0720091	Lock Washer	3/8"	2
10.....	6296154	Square Head Screw		15
11.....	PJ882-411	Cutterhead		1
12.....	6296054	Spring		6
13.....	TS-1513021	Socket Flat Head Screw	M5x0.8Px12	6
14.....	PJ882-414	Direction Label		1
15.....	PJ882-415	Knife Gauge		1



Parts List: Fence Assembly

Index No.	Part No.	Description	Size	Qty
	PJ882-FA	Fence Assembly (Index #1 thru #49)		
1	PJ882-101	Hand Wheel		1
2	TS-0267021	Socket Set Screw	1/4"-20x1/4"	3
3	TS-0207031	Socket Head Cap Screw	1/4"-20x5/8"	4
4	PJ882-104	Bearing Cover		1
5	PJ882-105	C-Ring	STW-12	2
6	PJ882-106	Worm Shaft		1
7	BB-6001ZZ	Ball Bearing	6001ZZ	2
8	PJ882-108	Pin	Ø3x20 mm	1
9	TS-0810012	Screw	#10-24x1/4"	2
10	TS-0680011	Flat Washer	3/16"	2
11	PJ882-111	Pointer		1
12	6285945	Knob		1
13	6296069	Locking Shaft		1
14	6285944	Handle Stud		1
15	TS-0207021	Socket Head Cap Screw	1/4"-20x1/2"	1
16	6296084	Bolt		1
17	TS-0680061	Flat Washer	1/2"	1
18	PJ882-118	Hex Nut	1/2"-12	2
19	PJ882-119	Locking Handle		1
20	PJ882-120	Bushing		1
21	PJ882-121	Stop Block		1
22	PJ882-122	Fence Bracket		1
23	PJ882-123	Worm		1
24	PJ882-124	Retaining Ring	RTW-28	1
25	TS-0050031	Hex Cap Screw	1/4"-20x3/4"	1
26	PJ882-126	Rack		1
27	PJ882-127	Locking Handle Nut		1
28	PJ882-128	Locking Link		1
29	TS-0561011	Hex Nut	1/4"-20	3
30	TS-0050051	Hex Cap Screw	1/4"-20x1"	2
31	PJ882-131	Safety Plate		1
32	TS-081F031	Flat Head Screw	1/4"-20x1/2"	2
33	6296070	Pin	5mmx50mm	1
34	TS-0206021	Socket Head Cap Screw	#10-24x1/2"	5
35	6296073	Screw		1
36	6296082	Fence Link		1
37	6285942	Cone Point Screw		4
38	TS-0561031	Hex Nut	3/8"-16	4
39	TS-0720071	Lock Washer	1/4"	2
40	6285940	Pivot Stud		2
41	TS-0561052	Hex Nut	1/2"-20	2
42	PJ882-142	Fixed Block		1
43	PJ882-143	Fence		1
44	PJ882-144	Insert		1
45	60B-130	Caution Label (Setting Knives)		1
46	60B-129	Caution Label (Hands Clear)		1
47	PJ882-147	Label (Lock/ Unlock)		1
48	PJ882-148	Scale Label		1
49	PJ882-333	Spring Pin	Ø4x25 mm	1

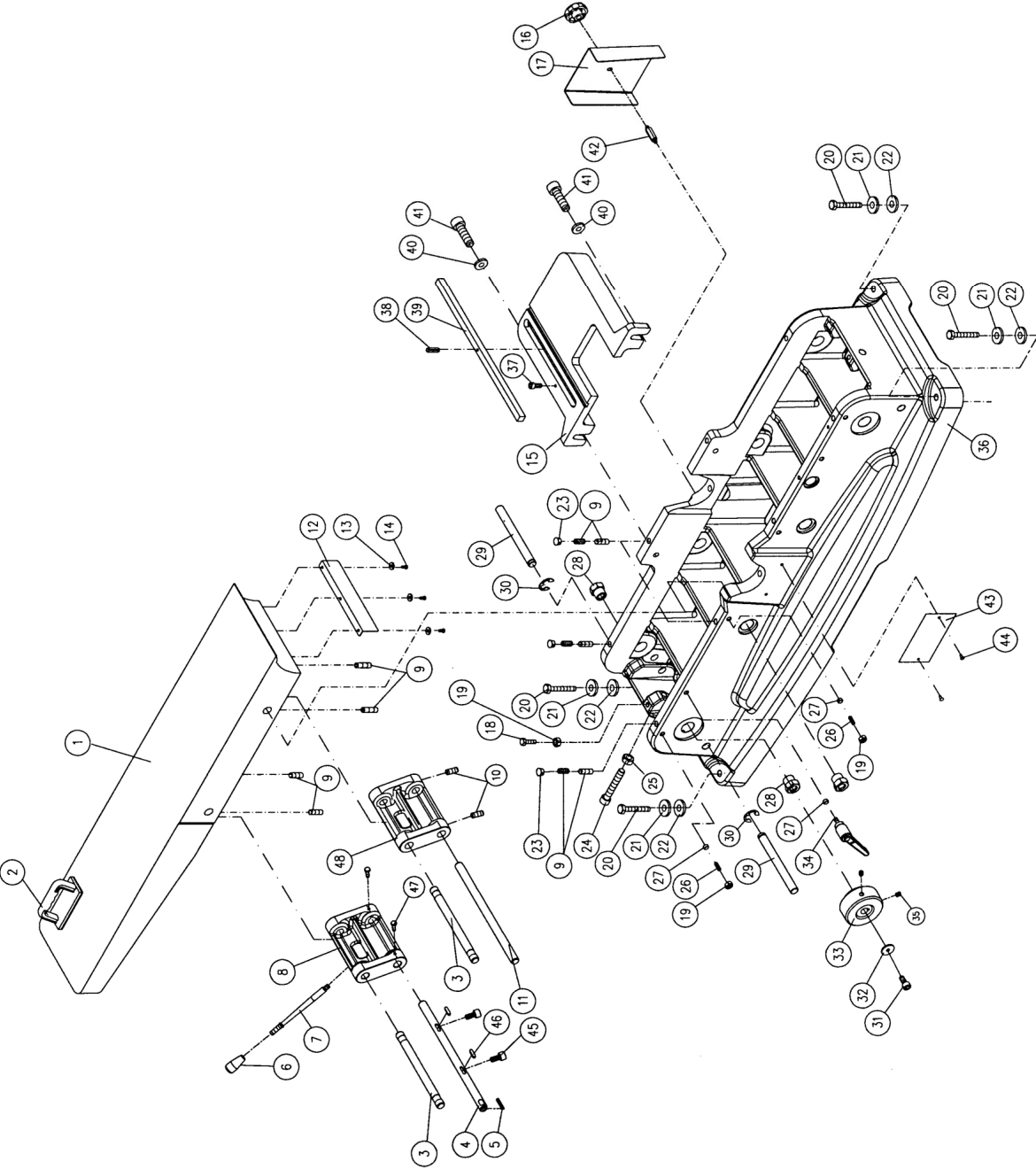
Fence Assembly



Parts List: Outfeed Table and Base Assembly

Index No.	Part No.	Description	Size	Qty
1	PJ882-201	Rear (Outfeed) Table		1
2	6285917	Push Block		2
3	PJ882-203	Shaft		2
4	PJ882-204	Shaft		1
5	PJ882-205	Key	5x5x22 mm	1
6	PJ882-206	Knob		1
7	PJ882-207	Handle		1
8	PJ882-208	Table Raising Link		1
9	TS-0270031	Socket Set Screw	5/16"-18x3/8"	12
10	TS-0271031	Socket Set Screw	3/8"-16x3/8"	2
11	PJ882-211	Shaft		1
12	PJ882-212	Table Lip		1
13	TS-0680011	Flat Washer	3/16"	3
14	TS-0810012	Screw	#10-24x1/4"	3
15	PJ882-215	Slide Bracket		1
16	6296058	Knob		1
17	PJ882-217	Belt Guard		1
18	TS-0060051	Hex Cap Screw	3/8"-16x1"	1
19	TS-0561031	Hex Nut	3/8"-16	3
20	TS-0060121	Hex Cap Screw	3/8"-16x2-3/4"	4
21	TS-0680041	Flat Washer	3/8"	4
22	PJ882-222	Plastic Washer	3/8"	4
23	PJ882-223	Plug		4
24	PJ882-224	Socket Head Cap Screw	1/2"-12x3"	1
25	PJ882-118	Hex Nut	1/2"-12	1
26	TS-0271101	Socket Set Screw	3/8"-16x1-1/4"	2
27	PJ882-227	Copper Bushing		3
28	PJ882-228	Adjustment Nut		4
29	PJ882-229	Shaft		2
30	PJ882-230	E-Ring	ETW-12	2
31	TS-0208031	Socket Head Cap Screw	5/16"-18x5/8"	1
32	TS-0680031	Flat Washer	5/16"	1
33	PJ882-233	Hub		1
34	PJ882-234	Locking Handle		1
35	TS-0270031	Socket Set Screw	5/16"-18x3/8"	2
36	PJ882-236	Base		1
37	TS-0207021	Socket Head Cap Screw	1/4"-20x1/2"	1
38	6296088	Spring Pin	Ø4x14 mm	1
39	6296089	Key		1
40	6296042	Washer		2
41	TS-0209061	Socket Head Cap Screw	3/8"-16x1-1/4"	2
42	PJ882-242	Stud		1
43	PJ882-243	ID Label	1Ph	1
	PJ882-243A	ID Label	3Ph	1
44	6296148	Rivet		2
45	TS-0209031	Socket Head Cap Screw	3/8"-16x3/4"	2
46	PJ882-246	Key	5x5x20 mm	2
47	TS-0050031	Hex Cap Screw	1/4"-20x3/4"	2
48	PJ882-248	Table Raising Link		1

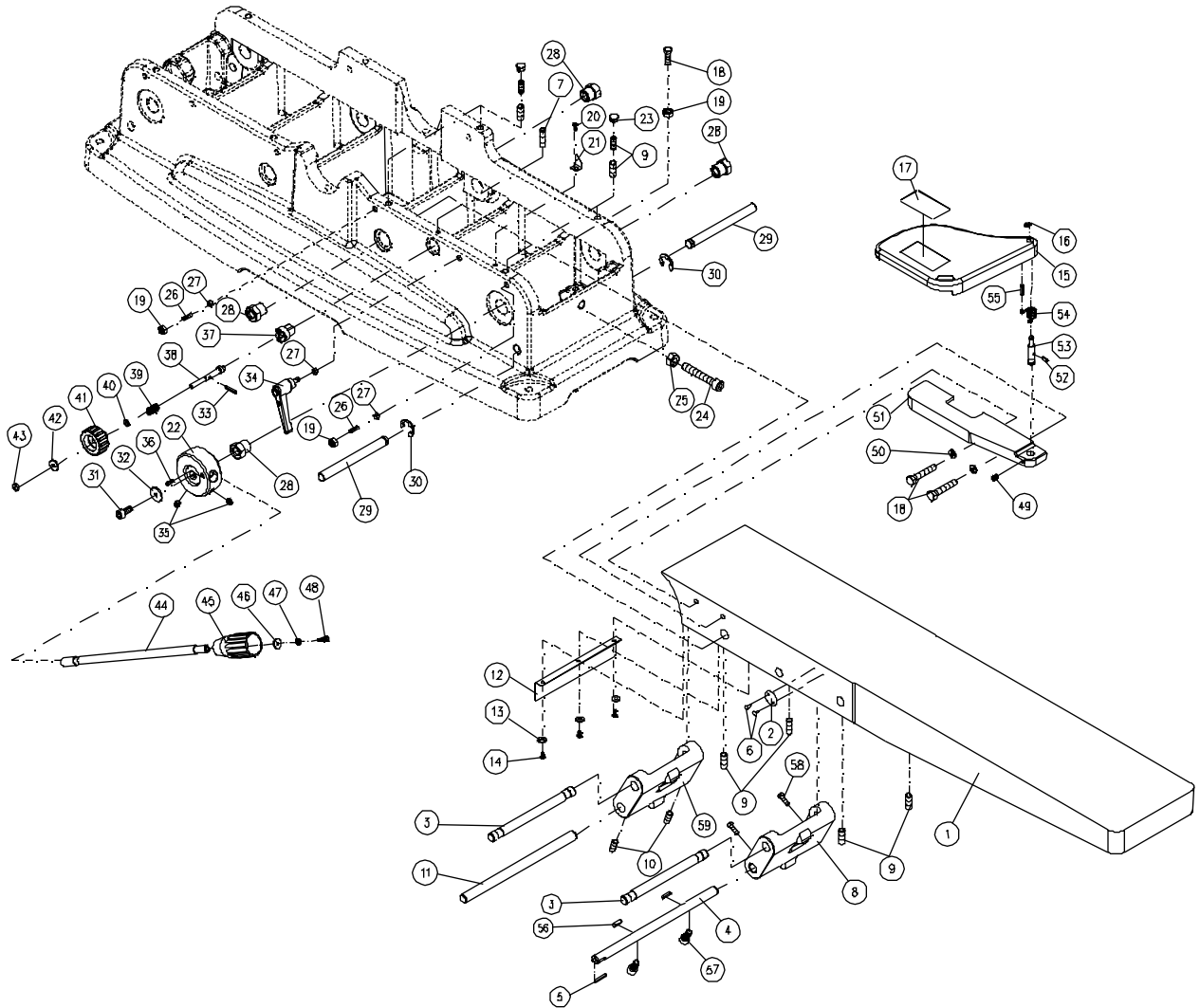
Outfeed Table and Base Assembly



Parts List: Infeed Table Assembly

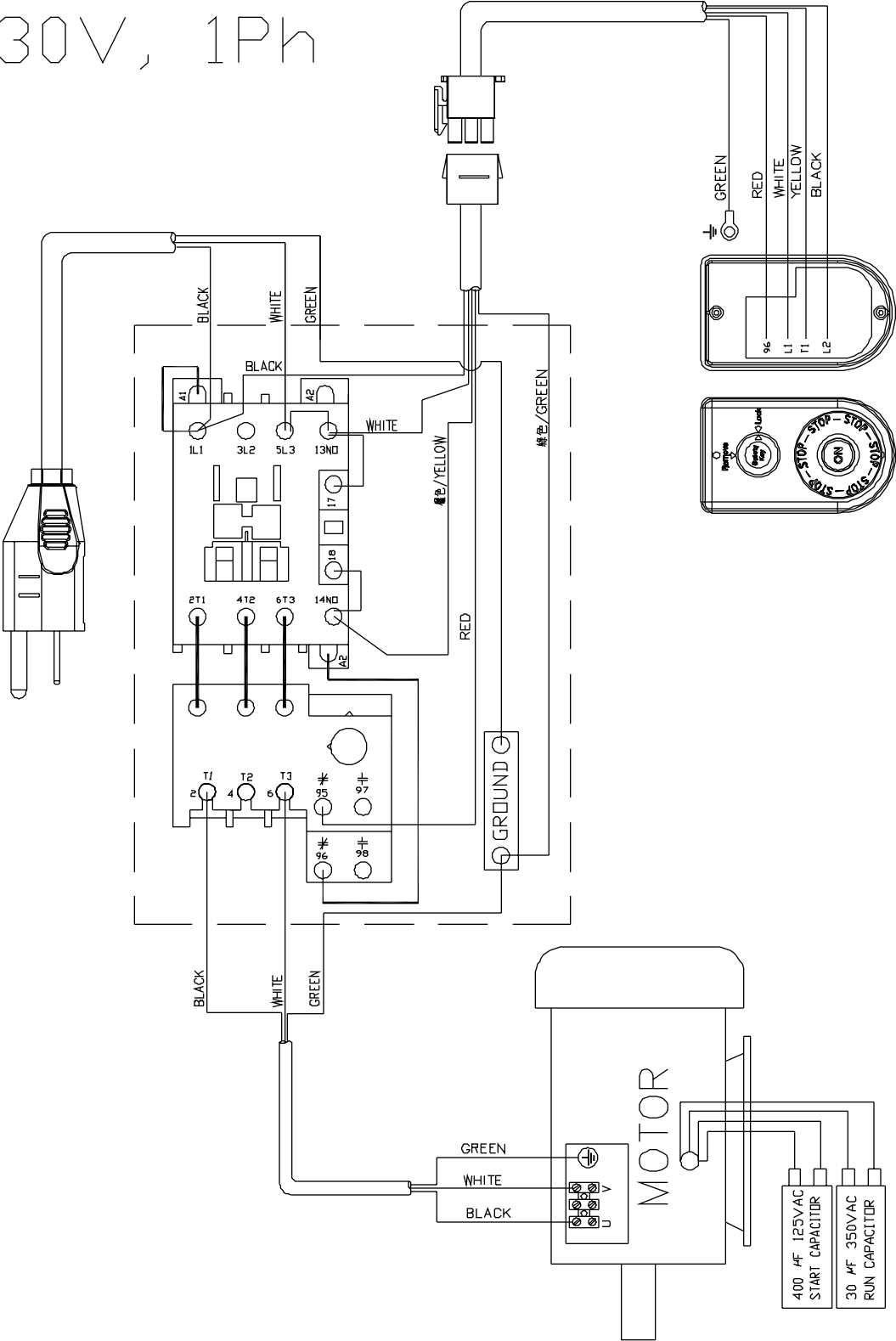
Index No.	Part No.	Description	Size	Qty
1	PJ882-301	Front (Infeed) Table		1
2	PJ882-302	Scale Label		1
3	PJ882-203	Shaft		2
4	PJ882-304	Shaft		1
5	PJ882-205	Key	5x5x22 mm	1
6	6296148	Rivet		2
7	TS-0270051	Socket Set Screw	5/16"-18x1/2"	1
8	PJ882-208	Table Raising Link		1
9	TS-0270031	Socket Set Screw	5/16"-18x3/8"	12
10	TS-0271031	Socket Set Screw	3/8"-16x3/8"	2
11	PJ882-211	Shaft		1
12	PJ882-212	Table Lip		1
13	TS-0680011	Flat Washer	3/16"	3
14	TS-0810012	Screw	#10-24x1/4"	3
15	60B-273	Cutterhead Guard		1
16	JSG96-223	Retaining Ring	STW-11	1
17	60B-272	Warning Label		1
18	TS-0060051	Hex Cap Screw	3/8"-16x1"	3
19	TS-0561031	Hex Nut	3/8"-16	3
20	TS-0813022	Round Head Screw	1/4"-20x3/8"	1
21	PJ882-321	Pointer		1
22	PJ882-322	Lift Handle Hub		1
23	PJ882-223	Plug		4
24	PJ882-224	Socket Head Cap Screw	1/2"-12x3"	1
25	PJ882-118	Hex Nut	1/2"-12	1
26	TS-0271101	Socket Set Screw	3/8"-16x1-1/4"	2
27	PJ882-227	Copper Bushing		3
28	PJ882-228	Adjustment Nut		4
29	PJ882-229	Shaft		2
30	PJ882-230	E-Ring	ETW-12	2
31	TS-0208031	Socket Head Cap Screw	5/16"-18x5/8"	1
32	TS-0680031	Flat Washer	5/16"	1
33	PJ882-333	Spring Pin	Ø4x25 mm	1
34	PJ882-234	Locking Handle		1
35	TS-0270031	Socket Set Screw	5/16"-18x3/8"	2
36	TS-0267021	Socket Set Screw	1/4"-20x1/4"	1
37	PJ882-337	Block		1
38	PJ882-338	Stud		1
39	PJ882-339	Spring		1
40	PJ882-340	Washer	1/4"x1/2"OD	1
41	PJ882-341	Knob		1
42	TS-0680021	Flat Washer	1/4"	1
43	TS-0640071	Nylon Insert Lock Nut	1/4"-20	1
44	PJ882-344	Lift Handle		1
45	6296028	Handle Grip		1
46	TS-0680021	Flat Washer	1/4"	1
47	TS-0720071	Lock Washer	1/4"	1
48	TS-0207021	Socket Head Cap Screw	1/4"-20x1/2"	1
49	TS-0270071	Socket Set Screw	5/16"-18x3/4"	1
50	TS-0680041	Flat Washer	3/8"	2
51	PJ882-351	Rabbeting Ledge		1
52	PJ882-352	Spring Pin	Ø5x32 mm	1
53	PJ882-353	Shaft		1
54	PJ882-354	Spring		1
55	PJ882-355	Spring Pin	Ø6x25 mm	1

Index No.	Part No.	Description	Size	Qty
56	PJ882-246	Key	5x5x20 mm	2
57	TS-0209031	Socket Head Cap Screw	3/8"-16x3/4"	2
58	TS-0050031	Hex Cap Screw	1/4"-20x3/4"	2
59	PJ882-248	Table Raising Link		1

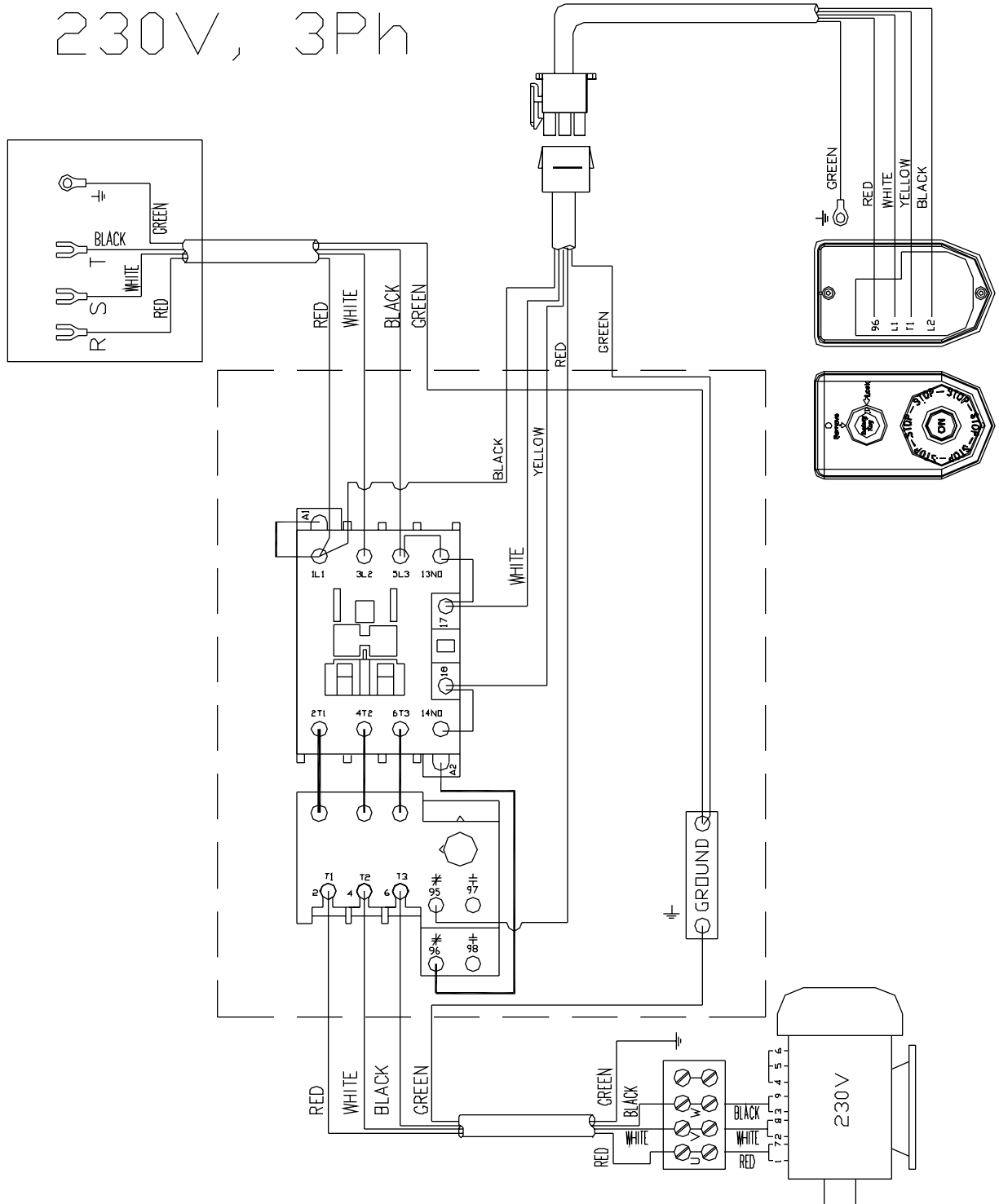


Electrical Connections – 1 Phase, 230 Volt

230V, 1Ph



Electrical Connections – 3 Phase, 230 Volt



Electrical Connections – 3 Phase, 460 Volt

460V, 3Ph

