



# SERVICE PARTS LIST

BUL. 54-10-0521

## 1/2" ELECTRIC DRILL

REVISED BUL 6109-2 DATE FEB. '68

Catalog No. 1600-1

Starting Serial No. 109-1976

WIRING INSTR.

Both Model and Serial No. must be furnished to obtain correct parts.

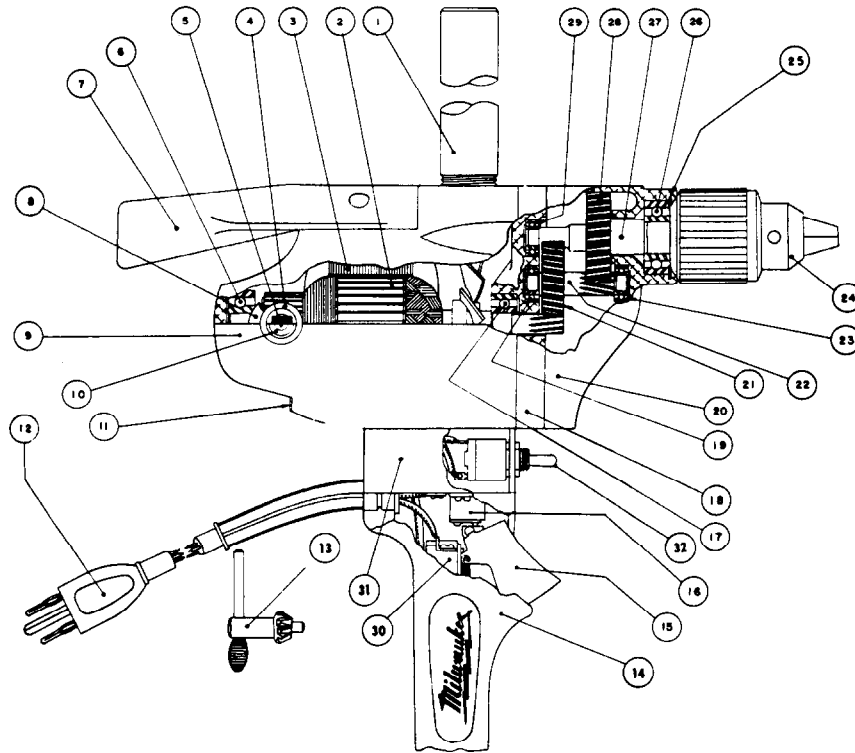


FIG.	PART NO.	DESCRIPTION OF PART
1	43-62-0230	Pipe Handle
2	16-62-1001	Armature Assembly
3	18-62-1001	Field Assembly
★ 4	22-22-0120	Brush Holder Assembly
★ 5	22-18-0170	Carbon Brush Assembly
6	02-04-0970	Ball Bearing
7	28-44-7041	Spade Handle
8	23-86-0130	Brush Holder Washer
9	28-50-4641	Body
10	23-44-0065	Brush Retaining Screw
11	44-66-0140	Air Intake Cover Plate
12	22-64-0170	Cord Set (3 Wire - 3 Prong Plug)
13	48-66-3280	Chuck Key
14	28-44-9121	Switch Handle
15	23-66-0325	Switch
16	42-36-0180	Switch Bracket

### ILLUSTRATED PARTS

FIG.	PART NO.	DESCRIPTION OF PART
17	02-04-1070	Ball Bearing
18	28-28-0621	Diaphragm
19	02-04-0820	Ball Bearing
(2) 20	28-14-0721	Gear Case
(2) 21	32-40-1261	Intermediate Gear
22	36-66-2051	Intermediate Shaft
23	02-04-0820	Ball Bearing
(2) 24	48-66-1380	Chuck (5/8-16 Thread)
25	34-80-2500	Spindle Ball Brg. Ret. Ring
(2) 26	02-04-1650	Ball Bearing
27	38-50-2651	Spindle
28	32-75-1621	Spindle Gear
29	02-04-0820	Ball Bearing
30	23-16-0050	Switch Cover Insulator
31	28-50-7081	Reverse Switch Housing
32	23-66-0198	Reverse Switch

### MISCELLANEOUS PARTS NOT SHOWN

PART NO.	DESCRIPTION OF PART
42-70-0060	Spade Handle Key Clip
12-98-3700	Name Plate
06-42-2000	Spindle Woodruff Key
06-42-1200	Intermediate Shaft Woodruff Key
06-81-7100	10-24x1-3/16 Fil.Hd.Sems Gear Case Scs. (2)
06-81-7200	10-24x1-7/16 Fil.Hd.Sems Gear Case Scs.(top)(2)
06-81-6600	8-32x1-7/8 Fil. Hd. Sems Field Screws
06-81-1550	12-24x1-3/4 Fil.Hd.Switch Handle Screws (4)
06-81-1550	12-24x1 3/4 Fil. Hd. Spade Handle Scs. (2)
42-68-0090	Lead Clamp

PART NO.	DESCRIPTION OF PART
06-81-8650	6-32x1/4 Rd.Hd.Sems Comm. Cover Plate Scs. (2)
06-81-8200	4-36x3/16 Rd.Hd. Name Plate Screws (2)
06-83-2670	1/4-20x1/2 Hd"less Brush Holder Set Screws (2)
06-81-8650	6-32x1/4 Rd.Hd.Sems Switch Bracket Screws (2)
06-81-5800	6-32x5/16 Fil.Hd.Sems Spade Handle Screws (2)
06-81-8600	6-32x3/16 Rd.Hd. Sems Key Clip Screws (2)
45-30-0060	Ball Bearing Ret. Plug (2)
06-81-8625	6-32x1/4 Rd. Hd. Sem Brass Ground Screw

Numbers in brackets indicate number required.