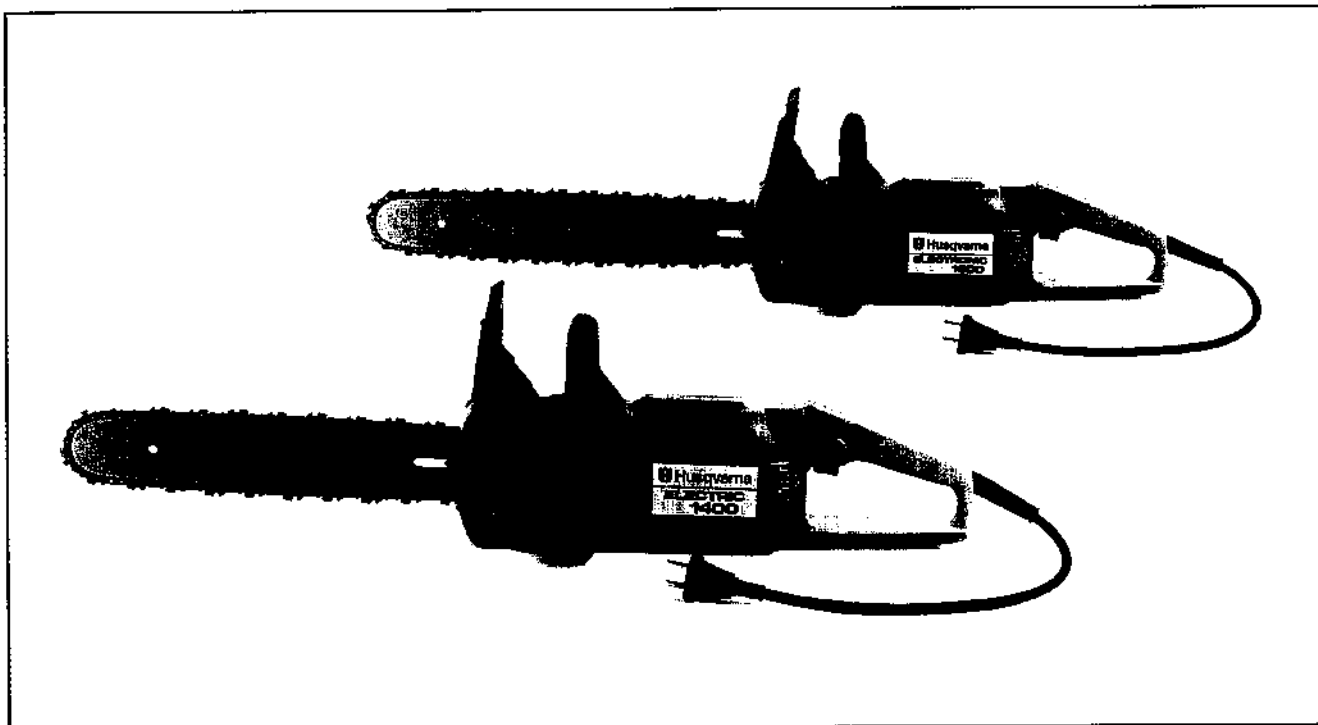


Electric 1400

Electronic 1600



1.1995

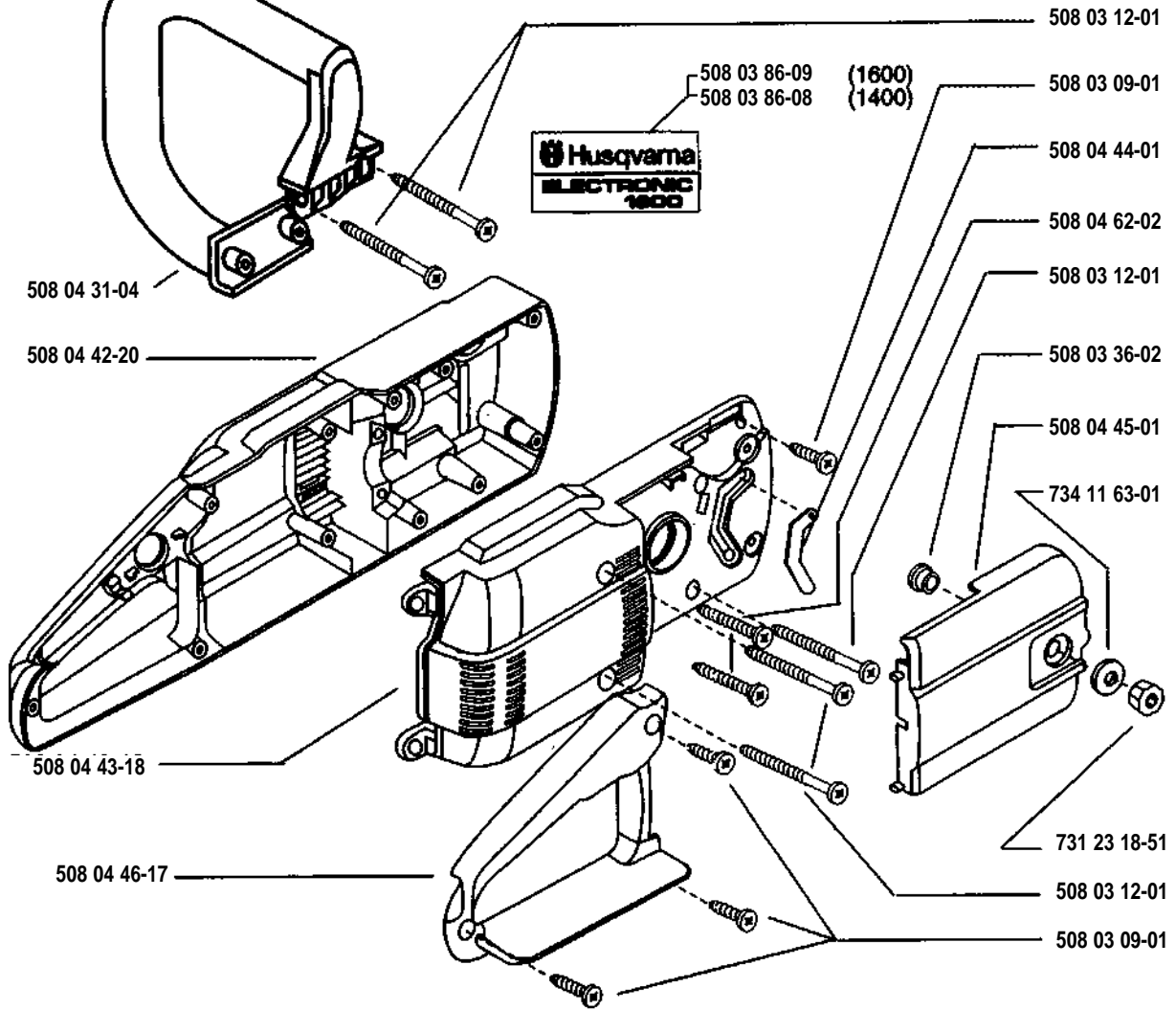
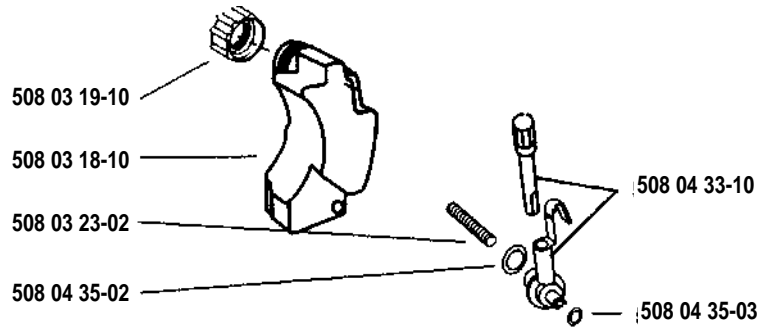
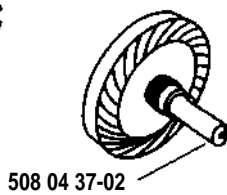
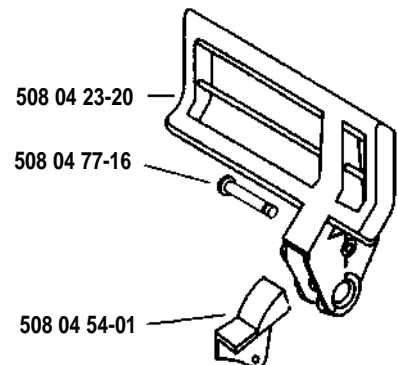
Spare parts

Ersatzteile

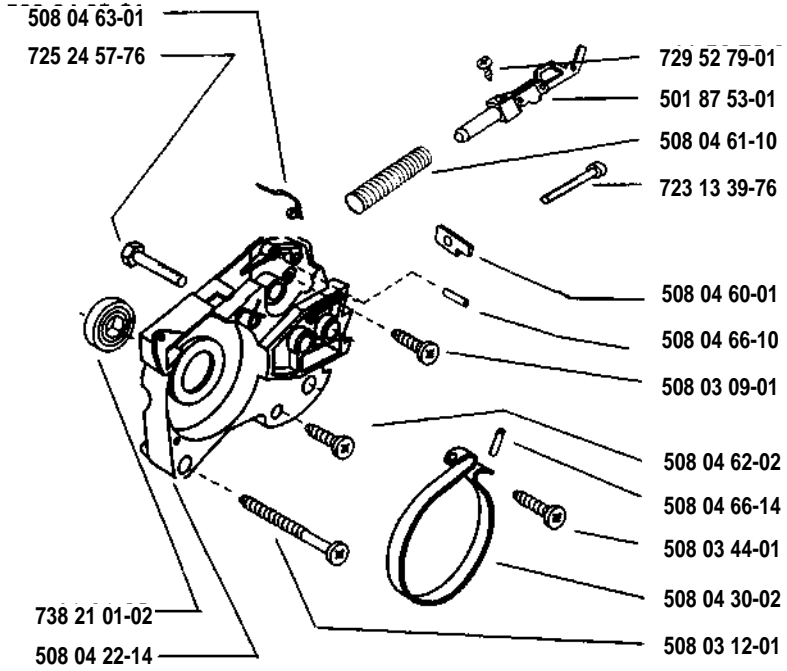
Pièces détachées

Repuestos

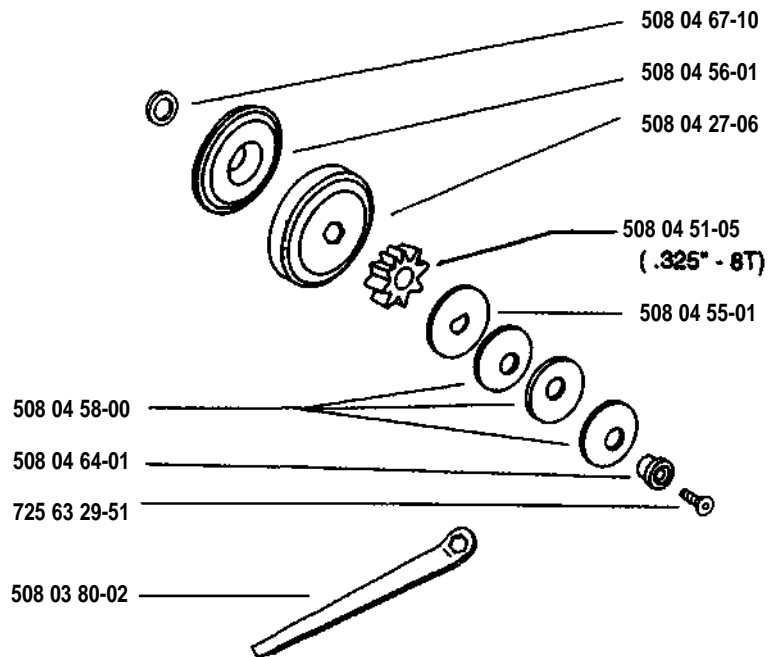
Reservdelar

A**B****C****D**

E

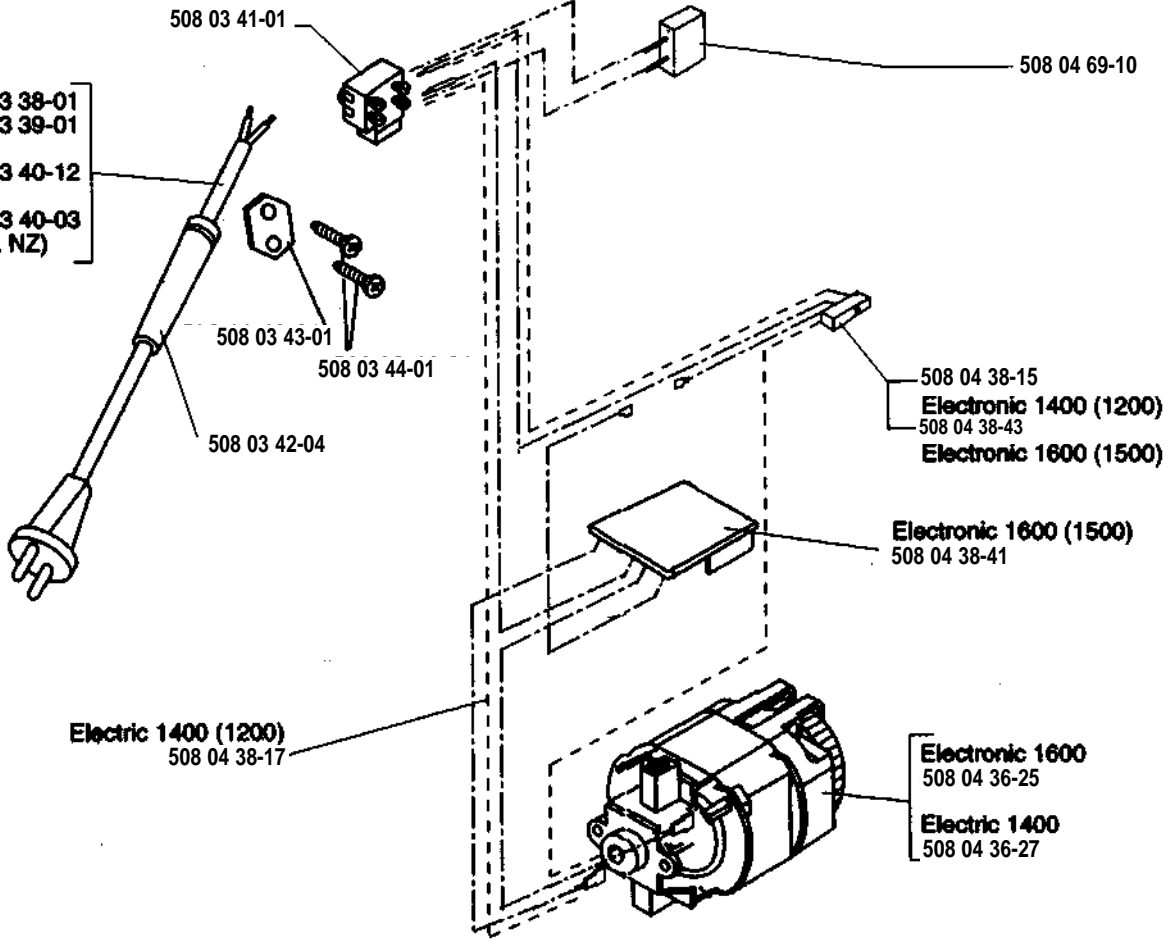


G



F

- 508 03 38-01
- 508 03 39-01 (CH)
- 508 03 40-12 (UK)
- 508 03 40-03 (AUS, NZ)



MODEL NUMBER 1400/1600

PART NUMBER SQUARE NOTE

501 87 53-01	E	
508 03 09-01	AE	
508 03 12-01	AE	
508 03 18-10	B	
508 03 19-10	B	
508 03 23-02	B	
508 03 36-02	A	
508 03 38-01	F	
508 03 39-01	F	
508 03 40-03	F	
508 03 40-12	F	N
508 03 41-01	F	
508 03 42-04	F	
508 03 43-01	F	
508 03 44-01	EF	
508 03 80-02	G	
508 03 86-08	A	N
508 03 86-09	A	N
508 04 22-14	E	N
508 04 23-20	D	N
508 04 27-06	G	
508 04 30-02	E	
508 04 31-04	A	
508 04 33-10	B	N
508 04 35-02	B	
508 04 35-03	B	
508 04 36-25	F	N
508 04 36-27	F	N
508 04 37-02	C	
508 04 38-15	F	
508 04 38-17	F	
508 04 38-41	F	N
508 04 38-43	F	N
508 04 42-20	A	
508 04 43-18	A	N
508 04 44-01	A	
508 04 45-01	A	N
508 04 46-17	A	N
508 04 51-05	G	
508 04 54-01	D	
508 04 55-01	G	
508 04 56-01	G	
508 04 58-00	G	
508 04 60-01	E	
508 04 61-10	E	
508 04 62-02	AE	
508 04 63-01	E	
508 04 64-01	G	
508 04 66-10	E	
508 04 66-14	E	
508 04 67-10	G	
508 04 69-10	F	
508 04 77-16	D	N
723 13 39-76	E	N
725 24 57-76	E	
725 63 29-51	G	N
729 52 79-01	E	
731 23 18-51	A	
734 11 63-01	A	
738 21 01-02	E	