

Electric 16

Spare parts

Ersatzteile

Pièces détachées

Reserve onderdelen

Repuestos

Reservdelar

Replaces

Ersetzt

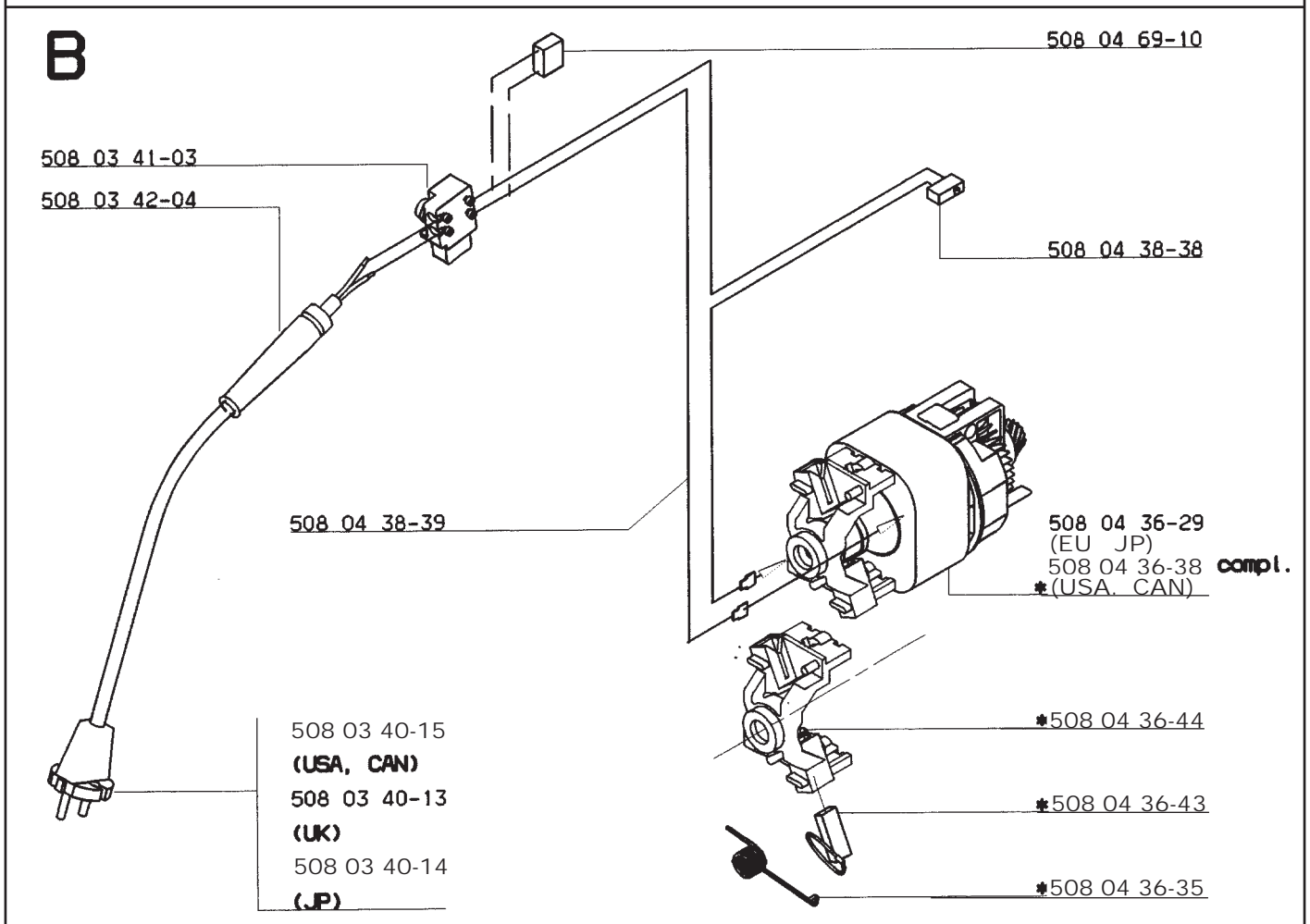
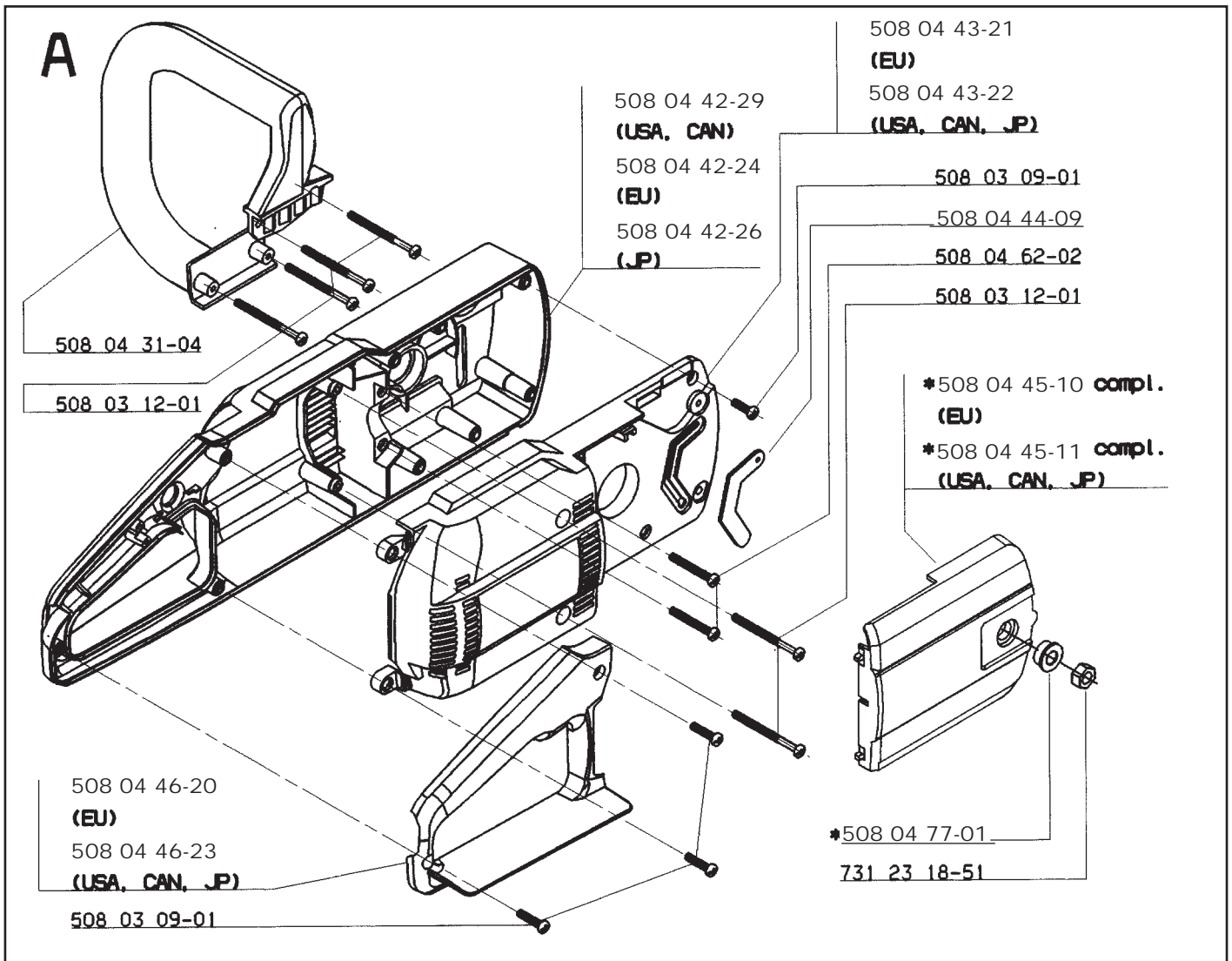
Remplace

Vervangt

Reemplaza

Ersätter

106 22 85-62

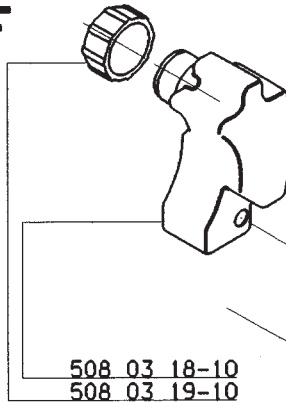


C



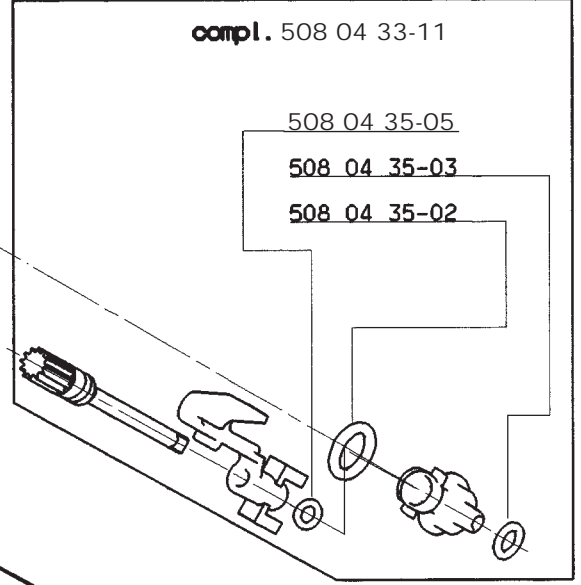
508 03 86-05

F



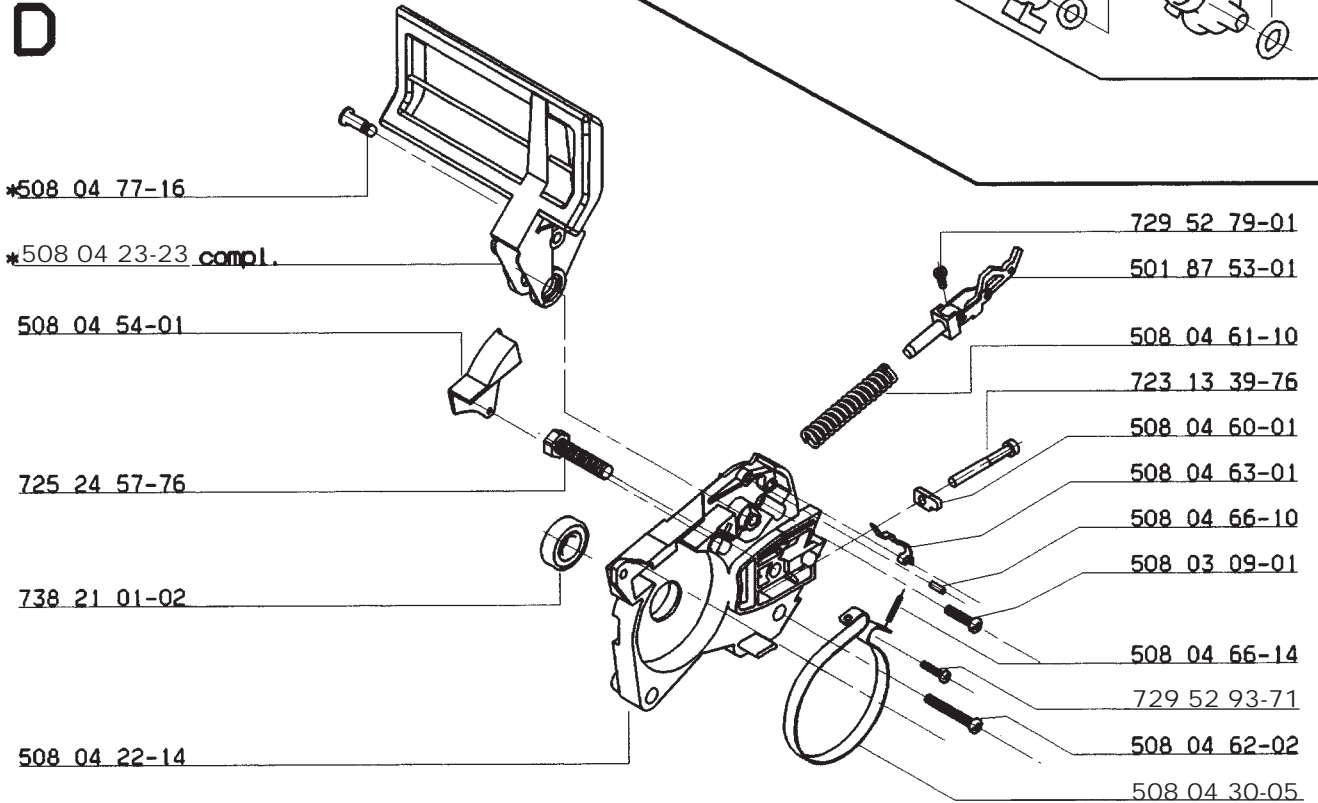
508 03 18-10
508 03 19-10

compl. 508 04 33-11



508 04 35-05
508 04 35-03
508 04 35-02

D



*508 04 77-16

*508 04 23-23 compl.

508 04 54-01

725 24 57-76

738 21 01-02

508 04 22-14

729 52 79-01

501 87 53-01

508 04 61-10

723 13 39-76

508 04 60-01

508 04 63-01

508 04 66-10

508 03 09-01

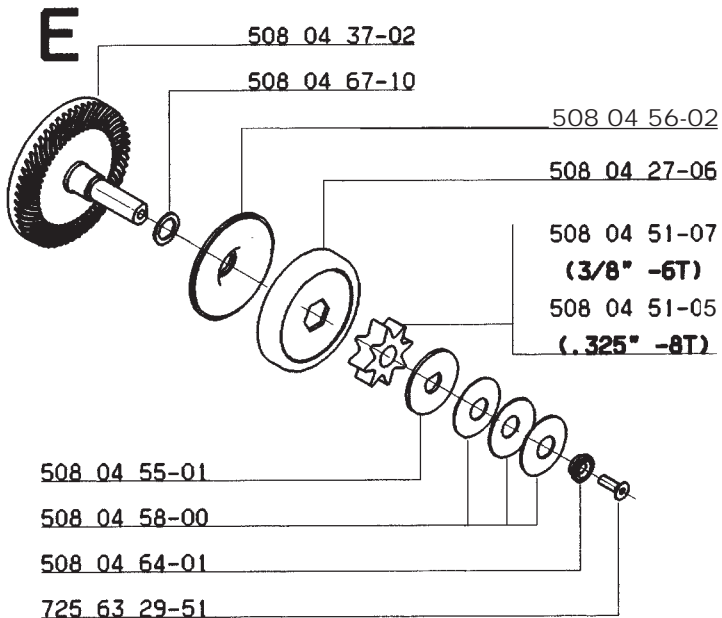
508 04 66-14

729 52 93-71

508 04 62-02

508 04 30-05

E



508 04 37-02

508 04 67-10

508 04 56-02

508 04 27-06

508 04 51-07

(3/8" -6T)

508 04 51-05

(.325" -8T)

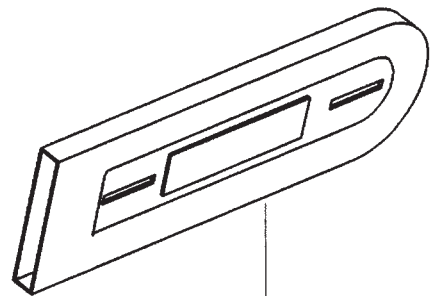
508 04 55-01

508 04 58-00

508 04 64-01

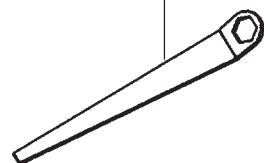
725 63 29-51

G



501 83 44-09

508 03 80-02



Electric 16

| PART NUMBER | SQUARE | NOTE | PART NUMBER | SQUARE | NOTE | PART NUMBER | SQUARE | NOTE | PART NUMBER | SQUARE | NOTE |
|--------------|--------|------|-------------|--------|------|-------------|--------|------|-------------|--------|------|
| 501 83 44-09 | G | N | | | | | | | | | |
| 501 87 53-01 | D | | | | | | | | | | |
| 508 03 09-01 | AD | | | | | | | | | | |
| 508 03 12-01 | A | | | | | | | | | | |
| 508 03 18-10 | F | | | | | | | | | | |
| 508 03 19-10 | F | | | | | | | | | | |
| 508 03 40-13 | B | | | | | | | | | | |
| 508 03 40-14 | B | N | | | | | | | | | |
| 508 03 40-15 | B | N | | | | | | | | | |
| 508 03 41-03 | B | | | | | | | | | | |
| 508 03 42-04 | B | | | | | | | | | | |
| 508 03 80-02 | G | | | | | | | | | | |
| 508 03 86-05 | C | | | | | | | | | | |
| 508 04 22-14 | D | | | | | | | | | | |
| 508 04 23-23 | D | N | | | | | | | | | |
| 508 04 27-06 | E | | | | | | | | | | |
| 508 04 30-05 | D | N | | | | | | | | | |
| 508 04 31-04 | A | | | | | | | | | | |
| 508 04 33-11 | F | N | | | | | | | | | |
| 508 04 35-02 | F | | | | | | | | | | |
| 508 04 35-03 | F | | | | | | | | | | |
| 508 04 35-05 | F | N | | | | | | | | | |
| 508 04 36-29 | B | | | | | | | | | | |
| 508 04 36-35 | B | N | | | | | | | | | |
| 508 04 36-38 | B | N | | | | | | | | | |
| 508 04 36-43 | B | N | | | | | | | | | |
| 508 04 36-44 | B | N | | | | | | | | | |
| 508 04 37-02 | E | | | | | | | | | | |
| 508 04 38-38 | B | | | | | | | | | | |
| 508 04 38-39 | B | | | | | | | | | | |
| 508 04 42-24 | A | N | | | | | | | | | |
| 508 04 42-26 | A | N | | | | | | | | | |
| 508 04 42-29 | A | N | | | | | | | | | |
| 508 04 43-21 | A | N | | | | | | | | | |
| 508 04 43-22 | A | N | | | | | | | | | |
| 508 04 44-09 | A | N | | | | | | | | | |
| 508 04 45-10 | A | N | | | | | | | | | |
| 508 04 45-11 | A | N | | | | | | | | | |
| 508 04 46-20 | A | N | | | | | | | | | |
| 508 04 46-23 | A | N | | | | | | | | | |
| 508 04 51-05 | E | | | | | | | | | | |
| 508 04 51-07 | E | | | | | | | | | | |
| 508 04 54-01 | D | | | | | | | | | | |
| 508 04 55-01 | E | | | | | | | | | | |
| 508 04 56-02 | E | N | | | | | | | | | |
| 508 04 58-00 | E | | | | | | | | | | |
| 508 04 60-01 | D | | | | | | | | | | |
| 508 04 61-10 | D | | | | | | | | | | |
| 508 04 62-02 | D | | | | | | | | | | |
| 508 04 63-01 | D | | | | | | | | | | |
| 508 04 64-01 | E | | | | | | | | | | |
| 508 04 66-10 | D | | | | | | | | | | |
| 508 04 66-14 | D | | | | | | | | | | |
| 508 04 67-10 | E | | | | | | | | | | |
| 508 04 69-10 | B | | | | | | | | | | |
| 508 04 77-01 | A | N | | | | | | | | | |
| 508 04 77-16 | D | | | | | | | | | | |
| 723 13 39-76 | D | | | | | | | | | | |
| 725 24 57-76 | D | | | | | | | | | | |
| 725 63 29-51 | E | | | | | | | | | | |
| 729 52 79-01 | D | | | | | | | | | | |
| 729 52 93-71 | D | N | | | | | | | | | |
| 731 23 18-51 | A | | | | | | | | | | |
| 738 21 01-02 | D | | | | | | | | | | |

Set of gaskets
Dichtungssatz
Jeu de joints
Juego de juntas
Packningssats

N = New part
Neues teil
Nouvelle piece
Nueva pieza