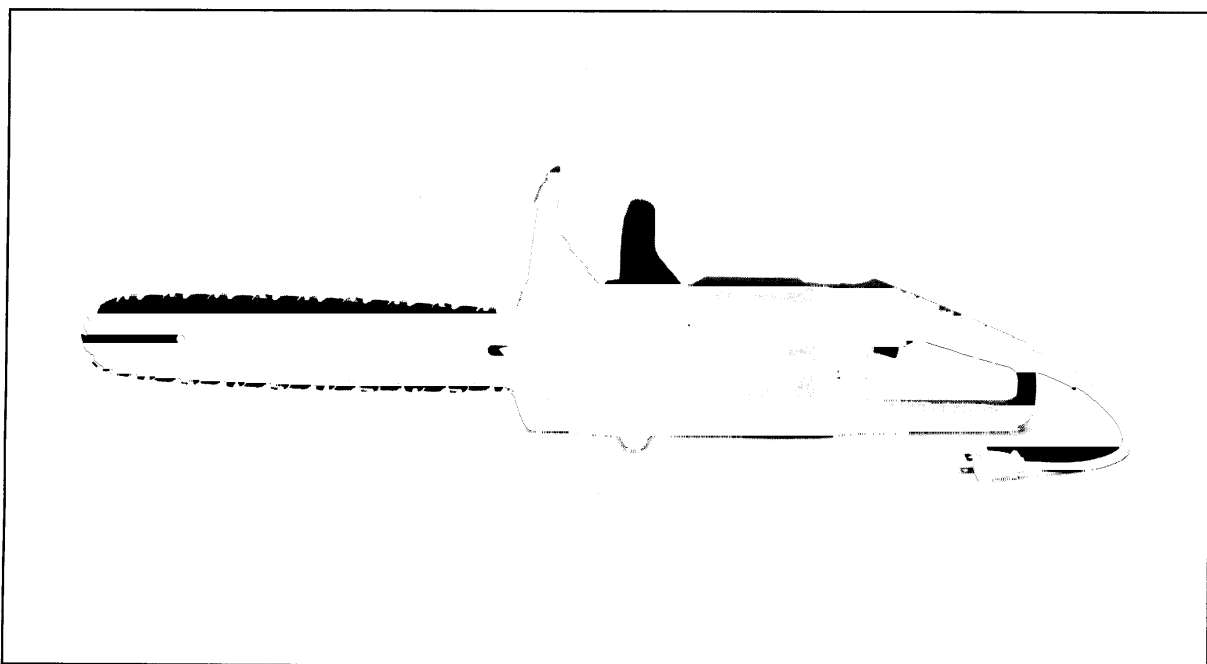


Electric 16



1.1995

Spare parts

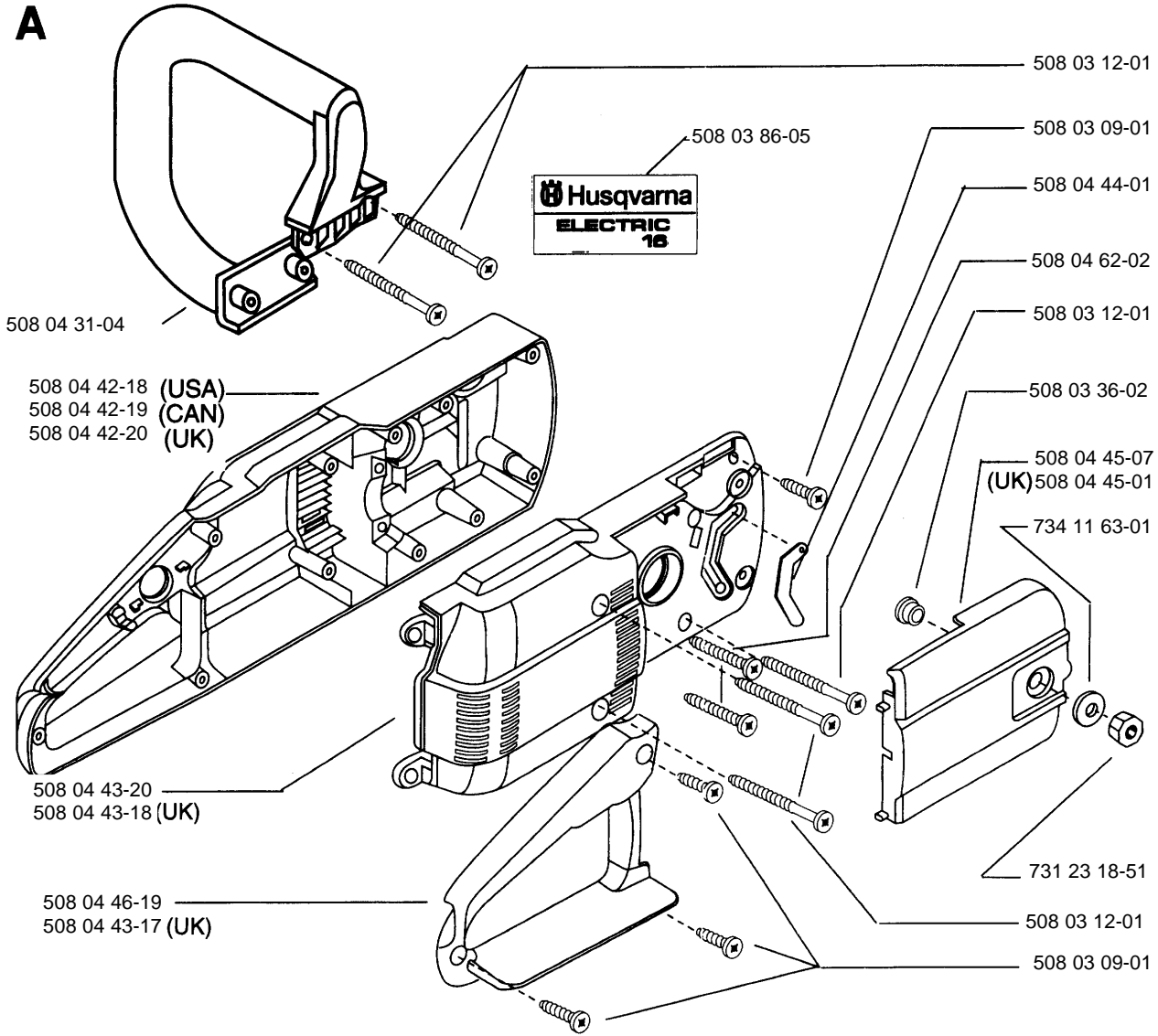
Ersatzteile

Pièces détachées

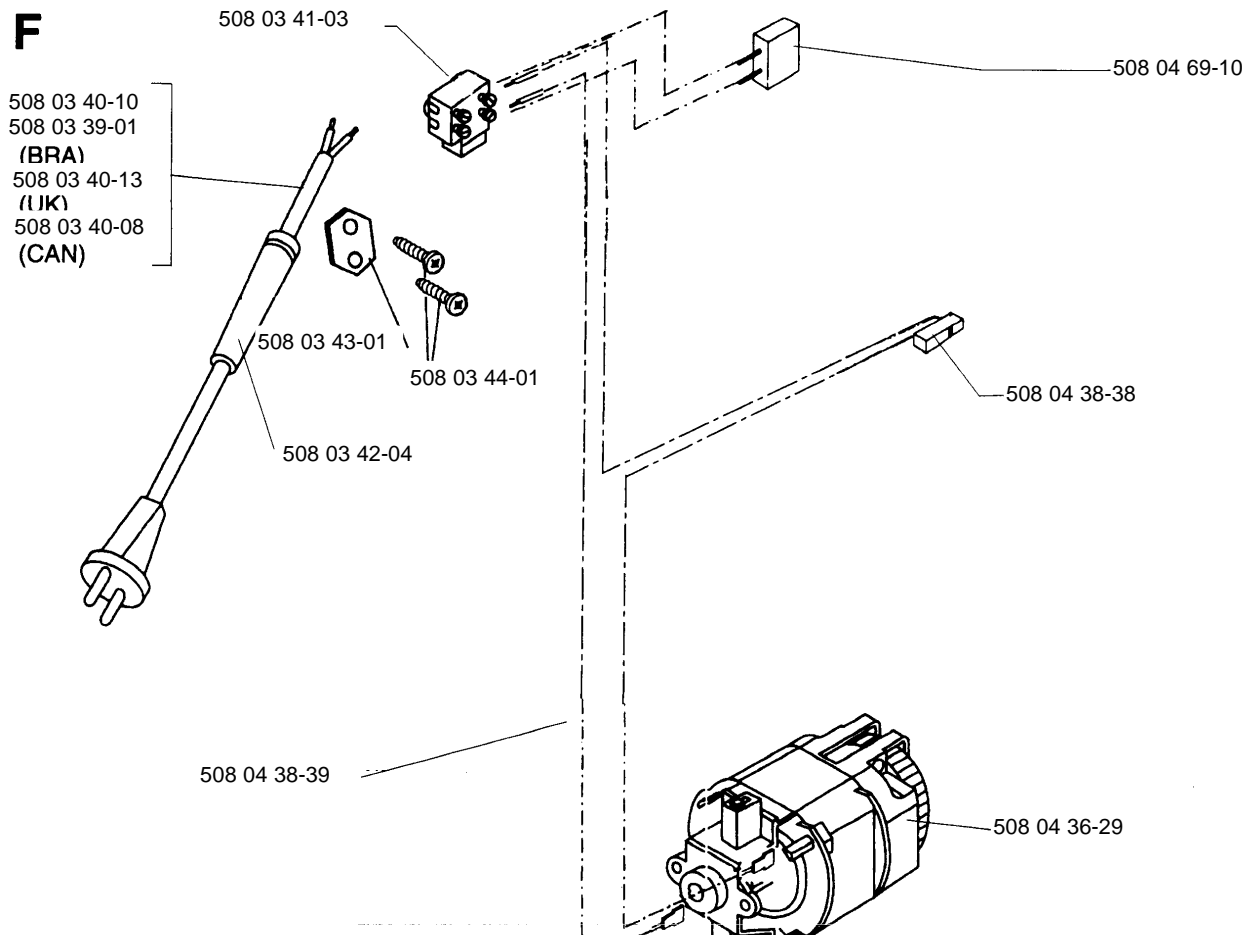
Repuestos

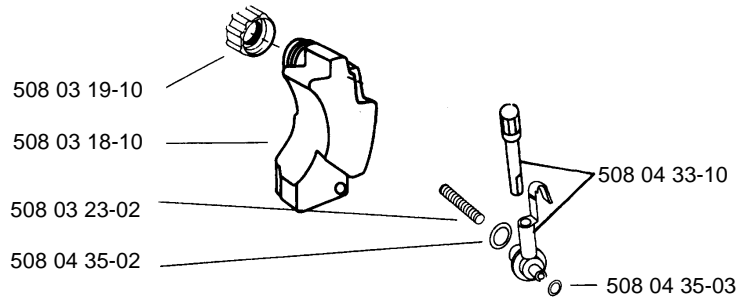
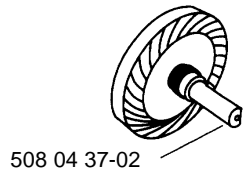
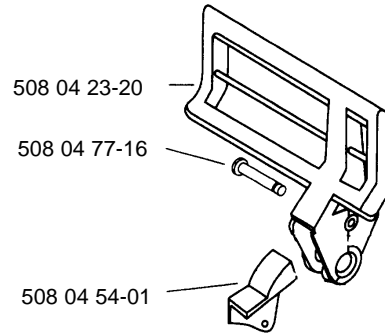
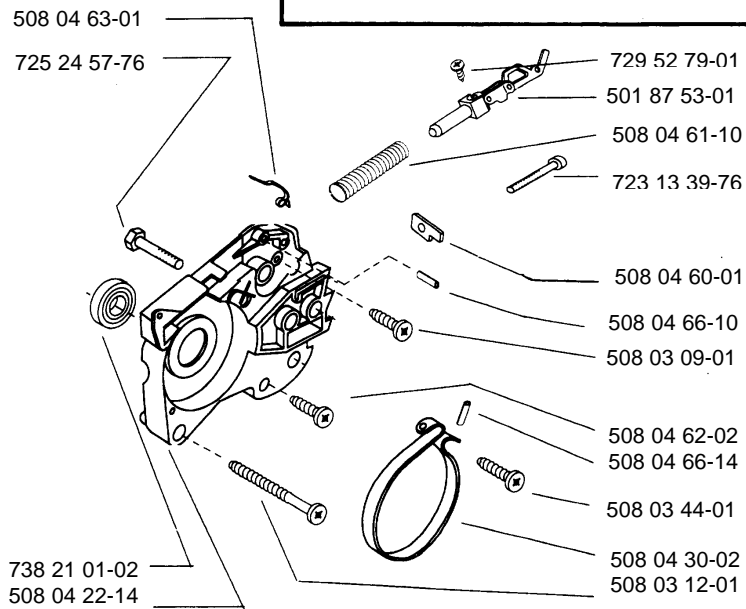
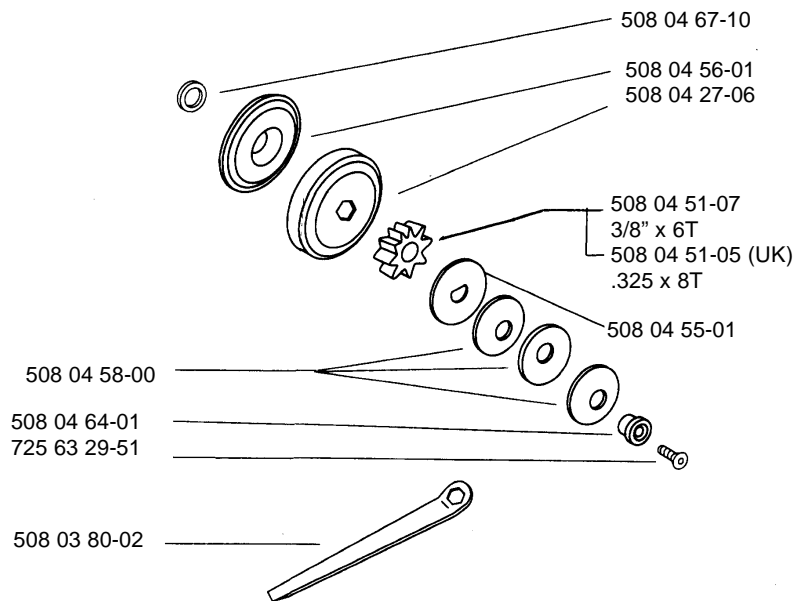
Reservdelar

A



F



B**C****D****E****G**

MODEL NUMBER EL16

PART NUMBER	SQUARE	NOTE
501 87 53-01	E	
508 03 09-01	AE	
508 03 12-01	AE	
508 03 18-10	B	
508 03 19-10	B	
508 03 23-02	B	
508 03 36-02	A	
508 03 39-01	F	N
508 03 40-08	F	N
508 03 40-10	F	
508 03 40-13	F	N
508 03 41-03	F	
508 03 42-04	F	
508 03 43-01	F	
508 03 44-01	EF	
508 03 80-02	G	
508 03 86-05	A	
508 04 22-14	E	N
508 04 23-20	D	N
508 04 27-06	G	
508 04 30-02	E	
508 04 31-04	A	
508 04 33-10	B	N
508 04 35-02	B	
508 04 35-03	B	
508 04 36-29	F	N
508 04 37-02	C	
508 04 38-38	F	N
508 04 38-39	F	N
508 04 42-18	A	
508 04 42-19	A	
508 04 42-20	A	N
508 04 43-18	A	N
508 04 43-20	A	N
508 04 44-01	A	
508 04 45-01	A	N
508 04 45-07	A	N
508 04 46-17	A	N
508 04 46-19	A	N
508 04 51-05	G	N
508 04 51-07	G	
508 04 54-01	D	
508 04 55-01	G	
508 04 56-01	G	
508 04 58-00	G	
508 04 60-01	E	N
508 04 61-10	E	
508 04 62-02	AE	N(E)
508 04 63-01	E	
508 04 64-01	G	
508 04 66-10	E	
508 04 66-14	E	
508 04 67-10	G	
508 04 69-10	F	N
508 04 77-16	D	N
723 13 39-76	E	N
725 24 57-76	E	
725 63 29-51	G	N
729 52 79-01	E	
731 23 18-51	A	
734 11 63-01	A	
738 21 01-02	E	