

## Univ. Foam Rubber Cutter - 0 601 575 034 - 1575

www.powertools-aftersaleservice.com



**BOSCH**

Item	Part Number	Description	Illustration	Price	Quantity	Price Group
2	2 605 806 082	Gear Housing	1	-,-	1	43
3	3 600 905 039	groove ball bearing 9x24x7 MM	1	-,-	1	24
4	2 910 021 122	Socket head cap screw DIN 84-AM4x12-8.8	1	-,-	3	10
6	2 601 038 001	Guide Rail	1	-,-	2	15
7	2 916 690 003	Spring Lock Washer DIN 128-A4-FST	1	-,-	4	10
9	2 910 011 128	Socket head cap screw DIN 84-AM4x18-5.8	1	-,-	4	10
10	2 600 100 611	Shim 0,10 MM	1	-,-	2	11
10	2 600 100 613	Shim 0,50 MM	1	-,-	2	11
11	2 606 319 007	Eccentric Cog Wheel Z=49	1	-,-	2	40
12	3 600 910 000	Needle-Roller Assembly	1	-,-	1	16
13	2 600 100 586	Shim 0,20 MM	1	-,-	2	11
13	2 600 100 587	Shim 0,30 MM	1	-,-	2	11
13	2 600 100 588	Shim 0,5 MM	1	-,-	2	11
14	2 600 300 005	Roller	1	-,-	2	21
15	2 603 201 037	Needle Roller 1,5x5,8 MM	1	-,-	22	11
16	2 601 320 018	Retaining Bracket	1	-,-	2	12
17	2 603 341 007	Slotted Round Nut	1	-,-	2	11
18	2 602 305 016	Lifting Rod	1	-,-	1	38
19	2 602 305 014	Lifting Rod	1	-,-	1	38
20	2 910 021 118	Socket head cap screw DIN 84-AM4x8-8.8	1	-,-	2	10
22	2 603 520 010	Bearing bolt	1	-,-	2	27
23	2 601 034 010	Pressure Plate	1	-,-	1	18
24	3 603 345 016	Round Nut	1	-,-	2	24
25	2 916 690 002	Spring Lock Washer DIN128-A5-FST	1	-,-	2	10
26	2 600 300 047	Seal Bushing	1	-,-	1	13
27	2 600 108 026	Felt Washer	1	-,-	1	11
28	2 600 500 017	Cupped Washer	1	-,-	1	10
29	2 910 011 082	Socket head cap screw DIN 84-AM3,5x6-5.8	1	-,-	8	10
30	3 602 307 009	Support Plate	1	-,-	1	44
31	2 910 011 084	Socket head cap screw DIN 84-AM3,5x8-5.8	1	-,-	2	10
32	2 603 502 015	Stud	1	-,-	2	13
33	2 917 500 093	Straight Pin 4H8x8 DIN 7	1	-,-	2	11
35	3 601 110 100	Reference Plate	1	-,-	1	-

Item	Part Number	Description	Illustration	Price	Quantity	Price Group
37	2 600 300 011	Roller	1	-,-	4	11
38	1 903 201 521	Needle Roller	1	-,-	4	10
39	2 910 021 132	Socket head cap screw DIN 84-AM4x25-8.8	1	-,-	1	10
103	2 604 652 000	Spiral Spring	1	-,-	2	11
104	2 916 011 005	Plain Washer DIN 433-3,2-ST 50	1	-,-	3	10
105	2 601 321 005	Clamping Saddle	1	-,-	2	-
106	2 914 501 011	Screw and washer assembly DIN7985-M3x6-Z1-4.8	1	-,-	2	10
107	2 604 220 307	Field 115V	1	-,-	1	40
108	2 915 011 003	Hex Nut DIN 934-M 3-m-8	1	-,-	2	10
109	2 910 011 074	Socket head cap screw DIN 84-BM3x50-5.8	1	-,-	2	10
110	2 916 690 001	Spring Lock Washer A3-FSt	1	-,-	1	10
111	2 601 323 016	Brush Holder	1	-,-	2	14
112	2 916 021 007	Plain Washer Ø 2,6 MM-ST	1	-,-	4	-
113	2 915 051 103	Hex Nut DIN 439-BM 3	1	-,-	1	10
114	2 600 100 699	Shim	1	-,-	1	11
115	2 600 150 002	Shim	1	-,-	1	11
116	1 900 905 015	groove ball bearing 625-2Z DIN 625	1	-,-	1	30
117	2 600 100 612	Shim 0,3 MM	1	-,-	2	13
118	2 600 113 019	Seal Ring	1	-,-	1	14
119	2 604 010 284	Armature 100-115V	1	-,-	1	46
120	2 601 322 002	Insulating Part	1	-,-	1	11
121	2 606 610 038	Fan	1	-,-	1	-
122	2 607 200 045	Switch	1	-,-	1	28
123	2 910 501 048	Countersunk-Head Screw M 3x6 DIN 63-5.8	1	-,-	1	-
125	2 600 703 012	Grommet Ø6,5-Ø6,9x95 MM	1	-,-	1	13
125	2 600 703 013	Grommet Ø7,6-Ø8,2x95 MM	1	-,-	1	13
126	2 601 035 005	Cable Clip	1	-,-	1	11
127	2 910 211 011	Tapping Screw DIN 7971-BZ3,5x13	1	-,-	2	10
128	2 917 170 554	Tubular rivet A2,5x0,3x4DIN7340-MS	1	-,-	4	10
130	2 601 301 002	Fastening Clamp	1	-,-	1	12
131	2 603 527 004	Hex Screw	1	-,-	2	11
132	2 604 490 005	connecting terminal	1	-,-	4	11
133	2 603 410 009	Socket head cap screw	1	-,-	8	11
135	3 600 508 004	Housing Cover BLACK	1	-,-	1	26
136	2 910 501 084	Countersunk-Head Screw DIN 63-AM3,5x8-5.8	1	-,-	2	11
138	2 601 107 003	Sticker	1	-,-	1	-
140	3 603 133 000	Grooved Nail	1	-,-	2	12
141	2 604 460 032	Elec. Cable W/Connection	1	-,-	1	-
142	2 601 099 015	Cable Clip	1	-,-	2	11
143	2 604 411 061	Cable	1	-,-	4	14
147	2 603 123 013	Retaining Pin	1	-,-	2	11
160	2 603 349 039	Press-In Nut	1	-,-	1	11
161	2 603 349 038	Press-In Nut	1	-,-	1	11
211	1 601 110 449	Nameplate CAUTION	1	-,-	1	11
652	2 601 030 010	Scraper	1	-,-	1	13
700	2 608 135 023	Guide 70 MM, T42D	1	-,-	1	-
700	2 608 135 020	Guide 130 MM, T42A	1	-,-	1	-
700	2 608 135 021	Guide 220 MM, T42B	1	-,-	1	-
700	2 608 135 022	Guide 300 MM, T42C	1	-,-	1	-
701	2 607 018 013	Saw Blade Set 70 MM, T 43D	1	-,-	1	-
701	2 607 018 010	Saw Blade Set 130 MM, T43A	1	-,-	1	-
701	2 607 018 011	Saw Blade Set 220 MM, T43B	1	-,-	1	-

Item	Part Number	Description	Illustration	Price	Quantity	Price Group
701	2 607 018 012	Saw Blade Set 300 MM, T43C	1	-,-	1	-
710	2 608 133 000	Sharpening Set	1	-,-	1	-
710/10	3 607 950 012	Whetstone	1	-,-	1	31
800	2 605 108 032	Motor Housing BLUE	1	-,-	1	39
801	2 605 500 905	Gear Cover	1	-,-	1	47
802	2 608 000 908	Base Plate	1	-,-	1	-
805	2 604 320 905	Carbon-Brush Set	1	-,-	1	22
807	3 607 220 024	Un. Flange-Mtd. Motor 115V	2	-,-	1	52
888	1 601 11A 3H3	Nameplate	1	-,-	1	13

Illustration - Type E

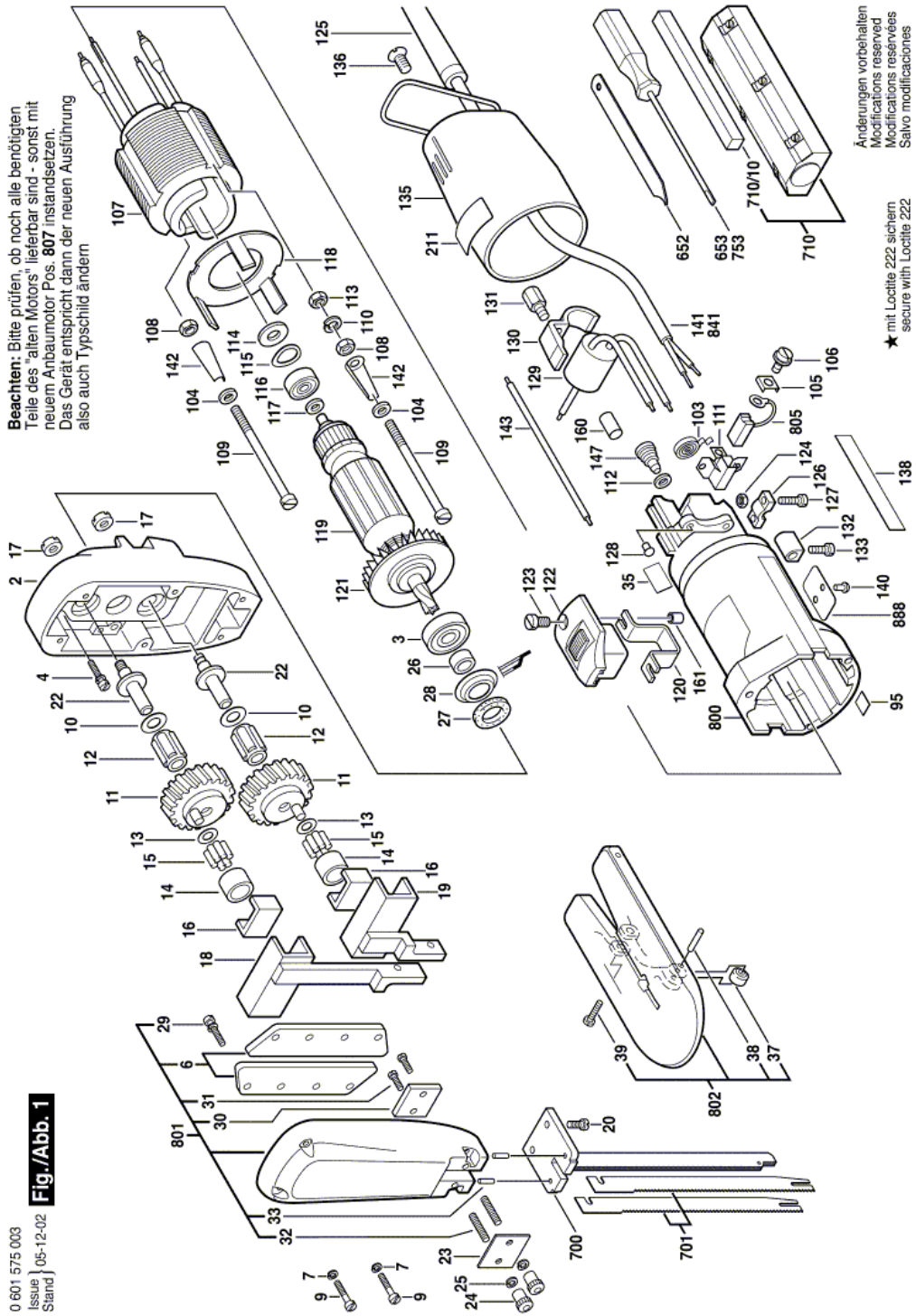
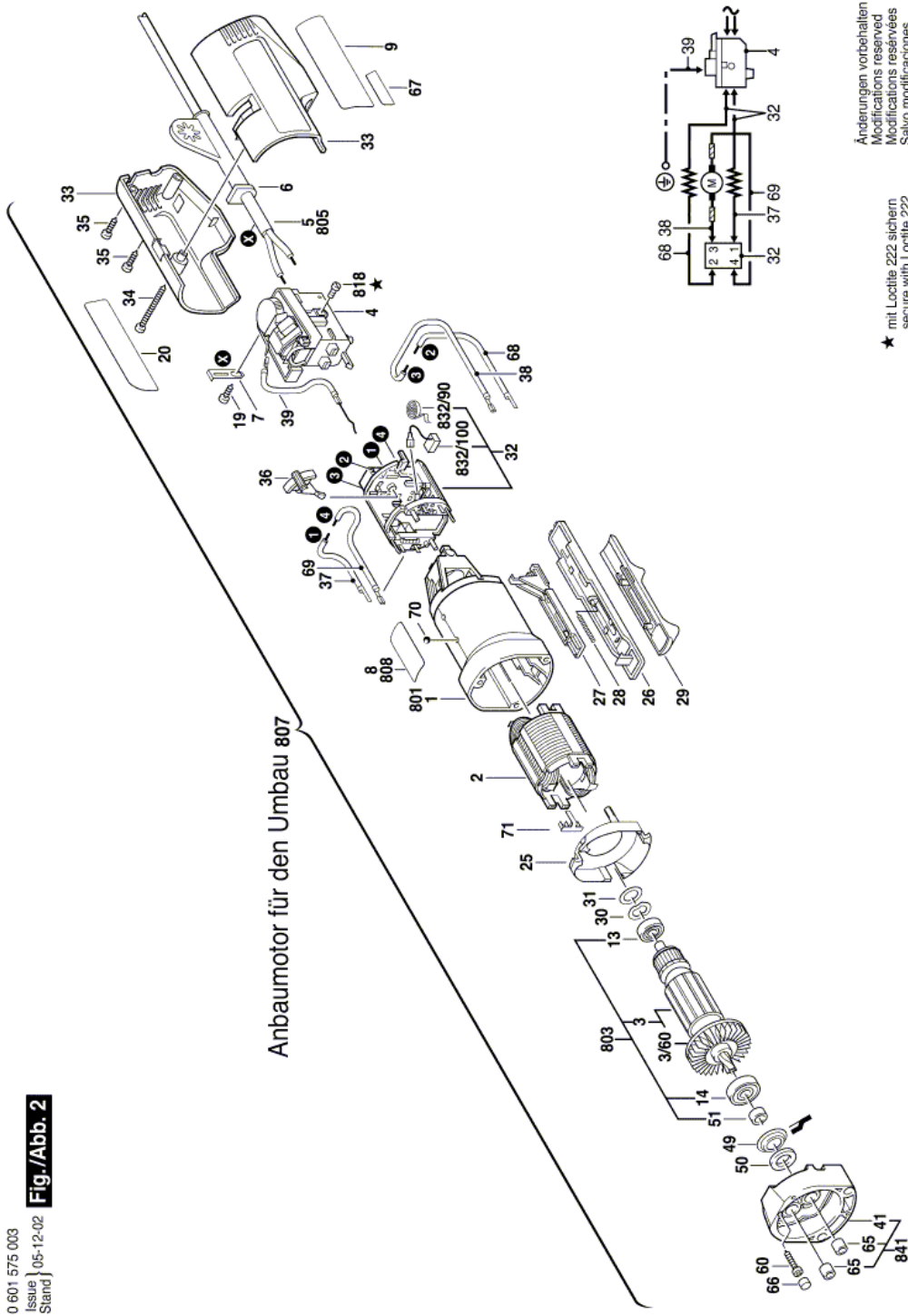


Illustration - Type E



0 601 575 003  
 Issue 05-12-02  
 Stand  
**Fig./Abb. 2**

Information subject to change without further notice.