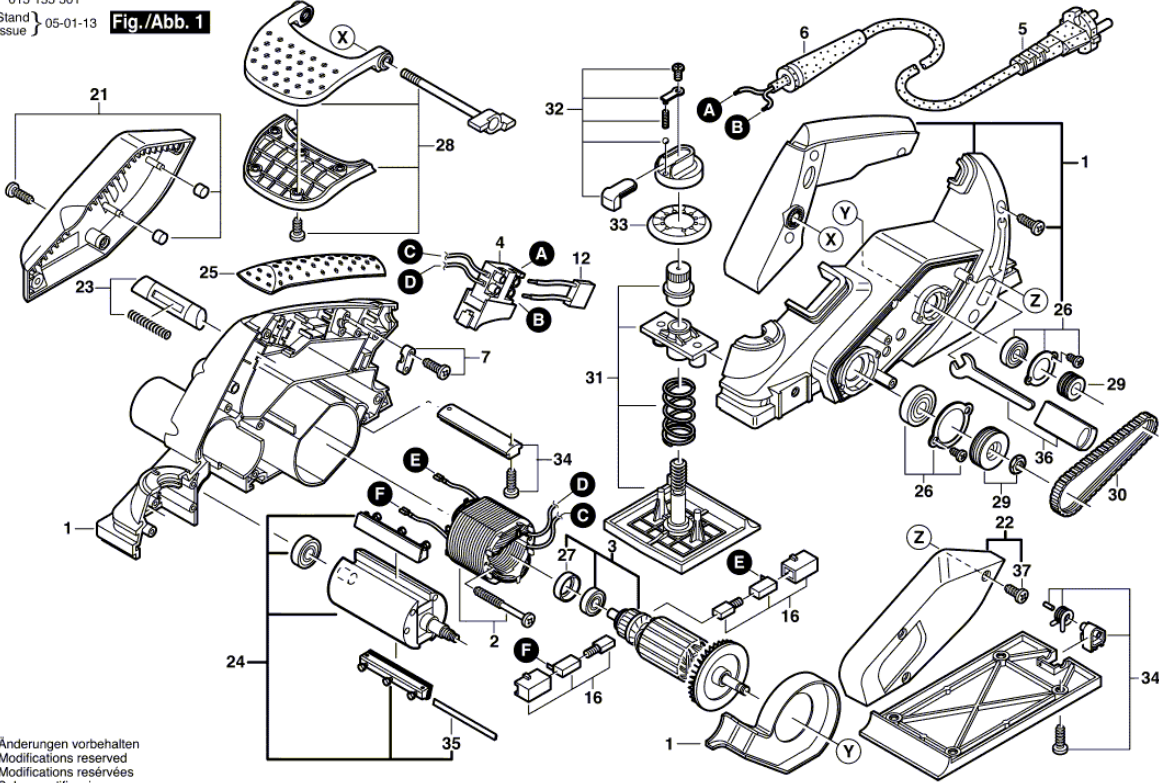




F 015 156 001 PORTABLE PLANER 1560

F 015 155 501
Stand Issue } 05-01-13 **Fig./Abb. 1**



Änderungen vorbehalten
Modifications reserved
Modifications réservées
Salvo modificaciones

Item	Quantity	Order No.	Designation	Price group	Page
1	1	2 610 394 608	MOTOR HOUSING		1
2	1	2 610 394 609	FIELD		1
3	1	2 610 394 611	ARMATURE		1
4	1	2 610 394 612	ON-OFF SWITCH		1
5	1	2 610 362 954	POWER SUPPLY CORD \ EU 2,65m 2 x 1,0mm H05VV-F		1
6	1	2 610 394 613	GROMMET		1
7	1	2 610 394 615	CABLE CLIP		1
12	1	2 610 394 614	SUPPRESSOR		1
16	1	2 610 394 616	CARBON-BRUSH SET		1
21	1	2 610 394 618	COVERING HOOD		1
22	1	2 610 394 620	BELT COVER		1
23	1	2 610 394 621	LOCKING LEVER		1
24	1	2 610 394 622	PLANER HEAD		1
25	1	2 610 394 624	HANDLE COVER		1
26	1	2 610 394 625	PARTS SET		1
27	1	2 610 394 626	BEARING SLEEVE		1
28	1	2 610 394 627	AUXILIARY HANDLE		1
29	1	2 610 394 628	PULLEY		1
30	1	2 610 394 629	TOOTHED BELT		1
31	1	2 610 394 630	ADJUSTING SLIDE		1
32	1	2 610 394 631	PARTS SET		1
33	1	2 610 394 633	DEPTH MEASURE		1
34	1	2 610 394 634	SUPPORTING FOOT		1
35	1	2 610 394 635	SET OF BLADES		1
36	1	2 610 394 636	KEY		1
37	3	2 610 394 689	SCREW		1