



SERVICE PARTS LIST

BUL. 54-10-9010

3/8" ELECTRIC DRILL

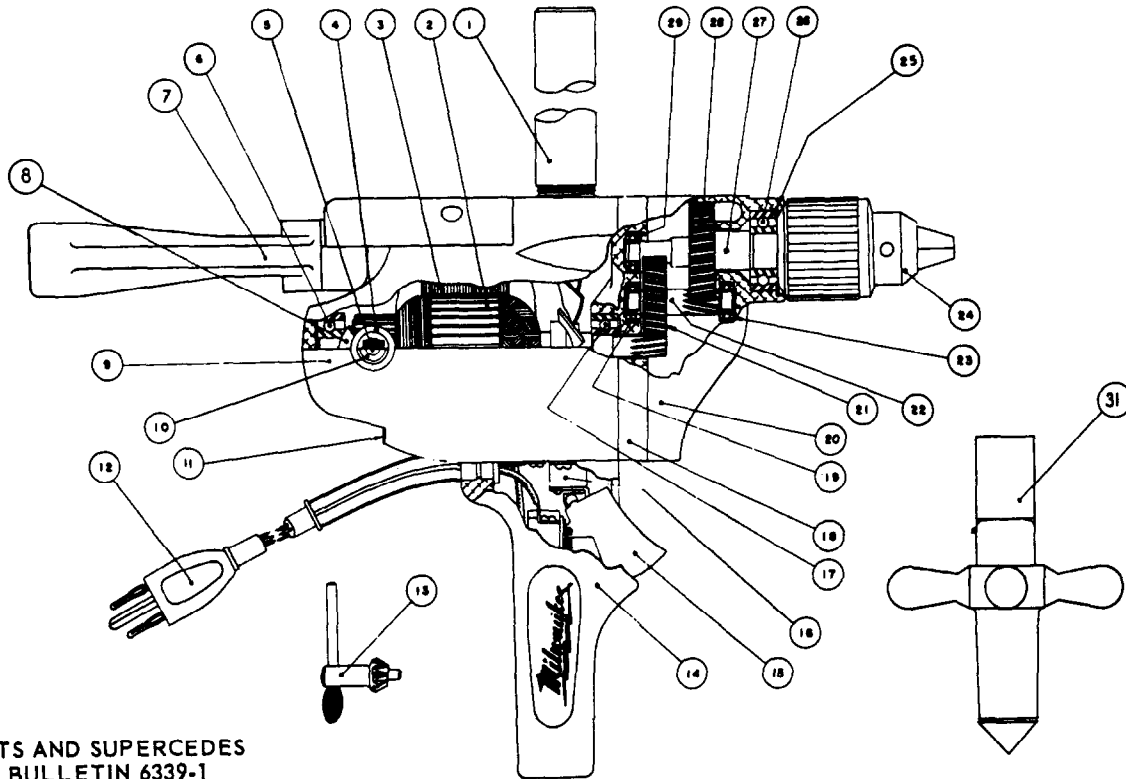
REVISED BUL 6339-1 DATE FEB. '68

Catalog No. 1530

Starting Serial No. 339-1001

WIRING INSTR.

Both Model and Serial No. must be furnished to obtain correct parts.



CORRECTS AND SUPERCEDES SERVICE BULLETIN 6339-1 DATED 7/1/63

ILLUSTRATED PARTS

FIG.	PART NO.	DESCRIPTION OF PART	FIG.	PART NO.	DESCRIPTION OF PART
1	43-62-0230	Pipe Handle	16	42-36-0180	Switch Bracket
2	16-62-1000	Armature Assembly	17	02-04-1070	Ball Bearing
3	18-62-1000	Field Assembly	18	28-28-0621	Diaphragm
4	22-22-0120	Brush Holder Assembly (2)	19	02-04-0820	Ball Bearing
5	22-18-0170	Carbon Brush Assembly (2)	20	28-14-0721	Gear Case
6	02-04-0970	Ball Bearing	21	32-40-1261	Intermediate Gear
7	28-44-7121	Spade Handle	22	36-66-2051	Intermediate Shaft
8	23-86-0130	Brush Holder Washer (2)	23	02-04-0820	Ball Bearing
9	28-50-4641	Body	24	48-66-0840	Chuck (1/2"-20 Thread)
10	23-44-0065	Brush Retaining Screw (2)	25	34-80-2500	Spindle Ball Brg. Ret. Ring
11	44-66-0140	Air Intake Cover Plate	26	02-04-1560	Ball Bearing
12	22-64-0240	Cord Set (3 wire-3 Prong Plug)	27	38-50-2601	Spindle
13	48-66-3280	Chuck Key	28	32-75-1621	Spindle Gear
14	28-44-9121	Switch Handle	29	02-04-0820	Ball Bearing
15	23-66-0190	Switch	30	23-16-0050	Switch Cover Insulator
			31	48-98-0050	Feed Screw Attachment

MISCELLANEOUS PARTS NOT SHOWN

PART NO.	DESCRIPTION OF PART	PART NO.	DESCRIPTION OF PART
42-70-0060	Spade Handle Key Clip	06-81-8650	6-32x1/4 Rd.Hd. Comm. Cover Plate Scs. (2)
12-98-3700	Name Plate	06-81-8200	4-36x3/16 Rd.Hd. Name Plate Screws (2)
06-42-2000	Spindle Woodruff Key	06-83-2670	1/4-20x1/2 Hd'less Brush Holder Set Scs. (2)
06-42-1200	Intermediate Shaft Woodruff Key	06-81-8650	6-32x1/4 Rd.Hd. Switch Bracket Screws (2)
06-81-7100	10-24x1-3/16 Fil.Hd. Gear Case Screws (2)	06-81-5800	6-32x5/16 Fil.Hd. Switch Mounting Scs. (2)
06-81-7200	10-24x1-7/16 Fil.Hd. Gear Case Scs.(top) (2)	06-81-8600	6-32x3/16 Rd.Hd. Key Clip Screws (2)
06-81-6700	8-32x1-7/8 Field Screws (Fil.Hd.)	45-30-0060	Ball Bearing Ret. Plug (2)
06-81-7500	12-24x4/8 Fil.Hd. Switch Handle Screws (4)	06-81-8625	6-32x1/4 Rd.Hd. Brass Ground Screw
06-81-7500	12-24x5/8 Fil.Hd. Spade Handle Screws (2)	48-03-0010	Adaptor Plug
28-02-0301	Spade Handle Adapter		

Numbers in brackets indicate number required.