

## Nibbler - 0 601 530 134 - 1530

www.powertools-aftersaleservice.com

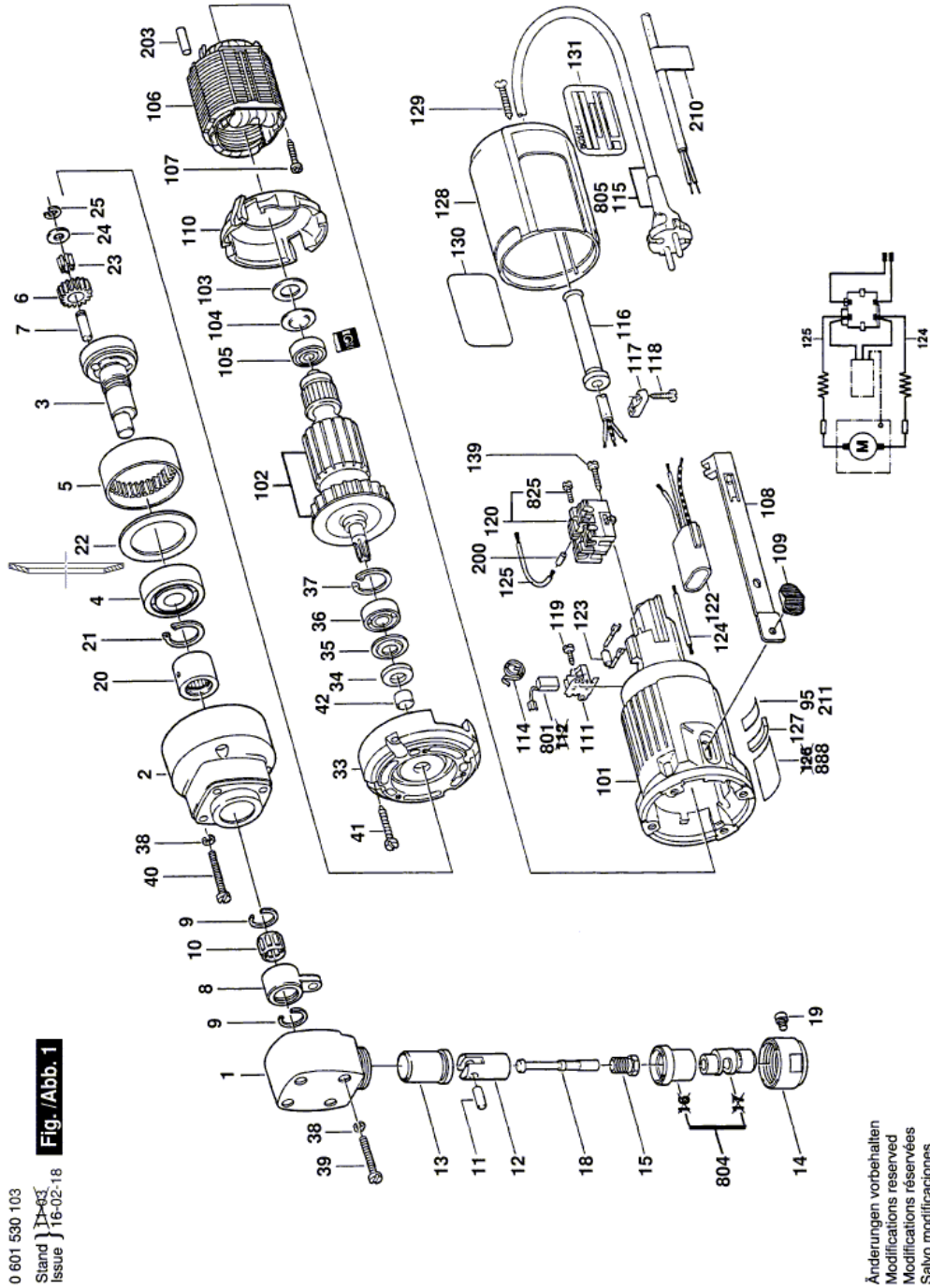


**BOSCH**

Item	Part Number	Description	Illustration	Price	Quantity	Price Group
1	2 605 500 064	Gear Cover	1	-,-	1	44
2	2 605 806 312	Gear Housing	1	-,-	1	38
3	2 606 122 001	Eccentric Shaft	1	-,-	1	46
4	1 900 900 274	groove ball bearing 20x42x12	1	-,-	1	32
5	2 606 334 040	Ring Gear Z=66	1	-,-	1	32
6	3 606 316 057	Cylindrical Gear Z=30	1	-,-	2	20
7	2 603 105 021	Bearing bolt	1	-,-	2	13
8	2 602 001 001	Connecting Rod	1	-,-	1	39
9	2 600 224 009	Retaining ring	1	-,-	2	11
10	2 600 913 035	Needle-Roller Cage	1	-,-	1	23
11	2 603 100 003	Bearing bolt	1	-,-	1	13
12	2 603 104 001	Power piston	1	-,-	1	39
13	2 600 422 005	Bushing	1	-,-	1	28
14	3 603 340 017	Union Nut	1	-,-	1	33
15	2 603 455 006	Hollow Bolt	1	-,-	1	14
17	2 608 639 003	Lower Die	N/A	-,-	1	44
18	2 608 639 013	Nibbling Punch	1	-,-	1	-
19	2 603 414 003	Hex Socket Head Cap Screw	1	-,-	1	17
20	2 600 914 011	Needle bearing	1	-,-	1	29
21	2 916 650 011	Spring retaining ring DIN 471 20x1,2	1	-,-	1	11
22	2 600 550 017	Disc Spring	1	-,-	1	18
23	1 903 201 020	Needle Roller DIN 5402-A2,5x7,8-G2	1	-,-	20	12
24	1 600 100 611	Shim 1,2 MM THICK	1	-,-	2	11
25	2 916 080 908	Locking Washer 5 DIN 6799	1	-,-	2	10
33	3 605 700 042	Intermediate Flange	1	-,-	1	43
34	2 600 108 002	Felt Washer	1	-,-	1	11
35	2 600 500 002	Cupped Washer	1	-,-	1	11
36	2 600 905 021	groove ball bearing 9x24x7	1	-,-	1	21
37	2 916 660 008	Spring retaining ring DIN 472-24x1,2 MM	1	-,-	1	11
38	2 916 690 003	Spring Lock Washer DIN 128-A4-FST	1	-,-	7	10
39	2 910 021 138	Socket head cap screw DIN 84-BM4x40-8.8	1	-,-	4	13
40	2 910 021 134	Socket head cap screw DIN 84-BM4x30-8.8	1	-,-	3	11
41	2 914 201 508	Torx Oval-Head Screw	1	-,-	4	10

Item	Part Number	Description	Illustration	Price	Quantity	Price Group
42	2 600 400 008	Receptacle	1	-,-	1	11
101	2 605 108 051	Motor Housing BLUE	1	-,-	1	29
102	2 604 010 607	Armature 115V	1	-,-	1	43
103	2 600 101 023	Shim 0,3 MM	1	-,-	1	11
103	2 600 101 022	Shim 0,2 MM	1	-,-	1	11
103	2 600 101 020	Shim 0,5 MM	1	-,-	1	11
104	2 600 150 004	Shim	1	-,-	1	12
105	1 900 905 018	Ball Bearing 7x22x7	1	-,-	1	28
106	2 604 220 470	Field 110-115V	1	-,-	1	34
107	2 603 435 015	Recessed-Head Screw DIN 7981-ST3,5x9,5-F	1	-,-	2	11
108	2 602 319 005	Adjusting Slide BLUE	1	-,-	1	11
109	2 602 026 015	Switch Handle BLACK	1	-,-	1	11
110	2 601 328 045	Cover Disc	1	-,-	1	12
111	1 600 A00 3G4	Brush Holder	1	-,-	2	13
114	1 604 652 013	Spiral Spring	1	-,-	2	11
115	3 604 460 049	Power supply cord	1	-,-	1	31
116	2 600 703 013	Grommet Ø7,6-Ø8,2x95 MM	1	-,-	1	13
117	2 601 035 001	Cable Clip	1	-,-	1	11
118	2 603 490 022	Screw 4x16	1	-,-	2	10
119	1 613 435 034	Lens Head Screw 3x10 ST	1	-,-	4	10
120	2 607 200 674	Switch	1	-,-	1	27
123	2 604 448 034	Connecting Cable L=88 MM WHITE	1	-,-	2	11
124	2 604 448 039	Connecting Cable L=68MM WHITE	1	-,-	1	12
125	2 604 448 040	Connecting Cable L=125MM WHITE	1	-,-	1	13
128	2 605 500 073	Housing Cover BLUE	1	-,-	1	23
129	2 910 601 321	Tapping Screw DIN 7982-ST3,9x22C-H	1	-,-	1	11
130	2 601 118 528	Sticker SHADOW SIDE	1	-,-	1	14
131	3 601 119 327	Sticker	1	-,-	1	15
139	2 910 211 007	Tapping Screw DIN 7971-BZ2,9x16	1	-,-	1	11
200	3 604 477 011	End Splice	1	-,-	2	10
211	1 601 110 449	Nameplate CAUTION	1	-,-	1	11
801	2 604 320 910	Carbon-Brush Set	1	-,-	1	22
804	2 608 639 900	Lower Die	1	-,-	1	-
804	2 608 639 902	Lower Die	1	-,-	1	-
804	2 608 639 021	Lower Die	1	-,-	1	-
804	2 608 639 022	Nibbling Punch	1	-,-	1	-
804	2 608 639 904	Lower Die	1	-,-	1	-
825	2 603 410 001	Socket head cap screw M3x6,5-4.8	1	-,-	4	11
888	1 601 11A 3H3	Nameplate	1	-,-	1	13

Illustration - Type E



**Fig./Abb. 1**

0 601 530 103

Stand Issue

16-02-18

Änderungen vorbehalten  
 Modifications reserved  
 Modifications réservées  
 Salvo modificaciones