

Nibbler - 0 601 529 239 - 1529 B

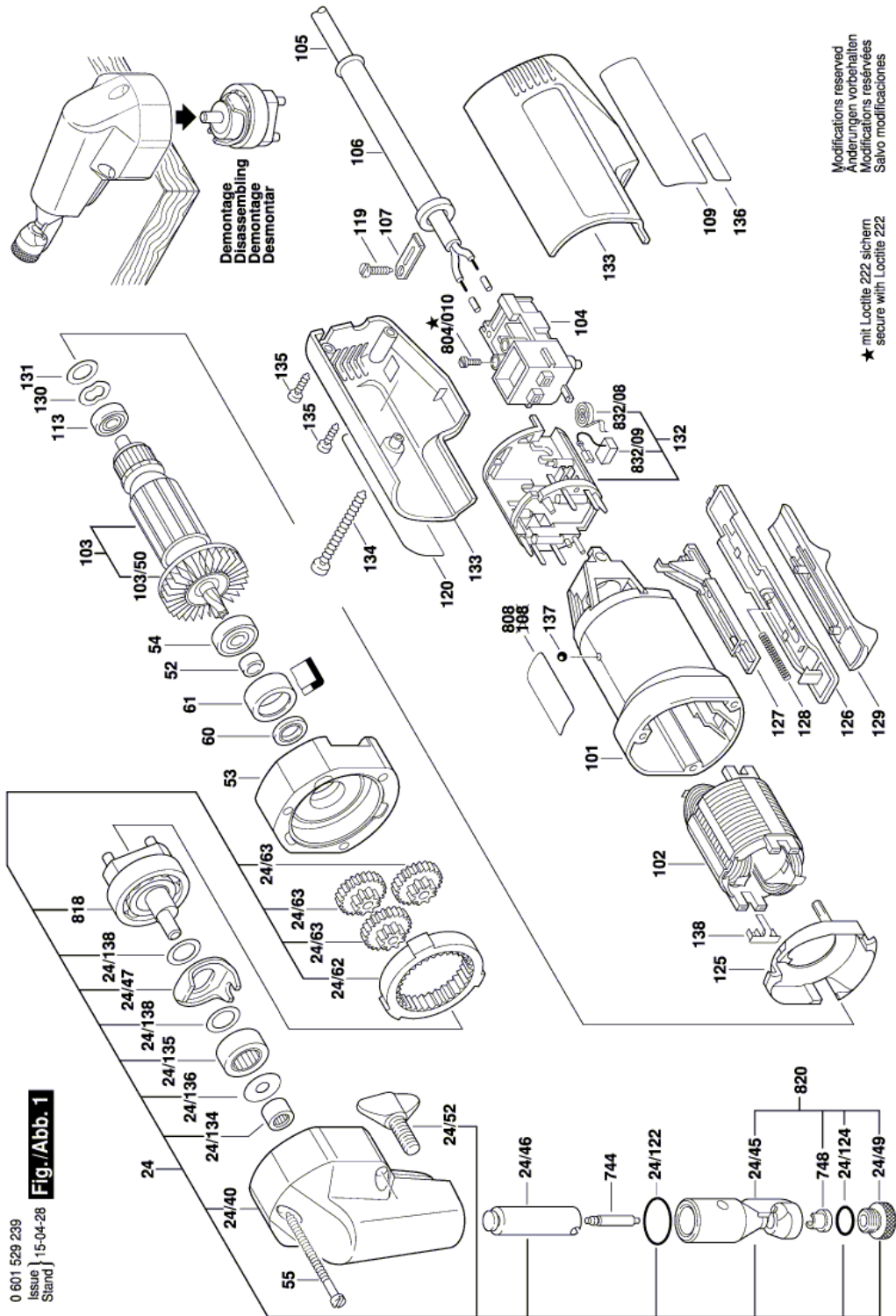
www.powertools-aftersaleservice.com

**BOSCH**

| Item | Part Number | Description | Illustration | Price | Quantity | Price Group |
|--------|---------------|---|--------------|-------|----------|-------------|
| 24 | 3 607 000 116 | Assembly kit | 1 | -,- | 1 | 56 |
| 24/40 | 3 609 202 094 | Housing | 1 | -,- | 1 | 44 |
| 24/45 | 3 606 455 044 | Die Carrier | 1 | -,- | 1 | 54 |
| 24/46 | 3 603 100 045 | Tappet | 1 | -,- | 1 | 28 |
| 24/47 | 3 602 311 052 | U-Sheet | 1 | -,- | 1 | 14 |
| 24/49 | 3 603 301 020 | Round Nut | 1 | -,- | 1 | 25 |
| 24/52 | 3 603 480 005 | Wing Screw | 1 | -,- | 1 | 25 |
| 24/62 | 3 600 112 004 | Ring Gear | 1 | -,- | 1 | 17 |
| 24/63 | 3 600 112 005 | Wheel | 1 | -,- | 1 | 15 |
| 24/122 | 3 600 210 012 | O-Ring 20,0x1,0 MM | 1 | -,- | 1 | 12 |
| 24/124 | 3 609 202 093 | O-Ring 8,6x2,4 MM | 1 | -,- | 1 | 14 |
| 24/134 | 3 609 202 085 | Needle bearing DIN 618-8x12x10-HK 0810 | 1 | -,- | 1 | 20 |
| 24/135 | 3 600 905 158 | Track-Supporting Roller | 1 | -,- | 1 | 30 |
| 24/136 | 3 609 202 087 | Shim ring DIN 988-8x20x0,5 | 1 | -,- | 1 | 12 |
| 24/138 | 3 600 102 049 | Shim ring | 1 | -,- | 2 | 13 |
| 52 | 2 600 300 047 | Seal Bushing | 1 | -,- | 1 | 13 |
| 53 | 3 605 700 135 | Bearing Flange | 1 | -,- | 1 | 33 |
| 54 | 2 600 905 039 | groove ball bearing 9x24x7 | 1 | -,- | 1 | 26 |
| 55 | 1 603 490 A0M | Tapping Screw | 1 | -,- | 3 | 10 |
| 60 | 1 600 290 016 | Rotary shaft lip seal | 1 | -,- | 1 | 12 |
| 61 | 3 600 290 052 | Rubber Ring | 1 | -,- | 1 | 11 |
| 101 | 2 605 108 060 | Motor Housing BLUE | 1 | -,- | 1 | 26 |
| 102 | 2 604 220 501 | Field 100-115V | 1 | -,- | 1 | 34 |
| 103 | 2 604 011 073 | Armature 110-115V | 1 | -,- | 1 | 41 |
| 103/50 | 2 606 610 081 | Fan | 1 | -,- | 1 | 19 |
| 104 | 2 607 200 311 | Switch | 1 | -,- | 1 | 21 |
| 105 | 2 604 460 138 | Power supply cord USA/CDN 4,15m 2 x 082mm SJ 18/2 | 1 | -,- | 1 | 29 |
| 106 | 2 600 703 011 | Grommet Ø8,3-Ø9,4x95 MM | 1 | -,- | 1 | 14 |
| 106 | 2 600 703 012 | Grommet Ø6,5-Ø6,9x95 MM | 1 | -,- | 1 | 13 |
| 106 | 2 600 703 013 | Grommet Ø7,6-Ø8,2x95 MM | 1 | -,- | 1 | 13 |
| 107 | 1 601 302 017 | Fastening Clamp | 1 | -,- | 1 | 10 |
| 109 | 3 601 110 404 | Sticker SUNNY SIDE | 1 | -,- | 1 | 15 |
| 113 | 2 600 905 032 | Ball Bearing 7x19x6 | 1 | -,- | 1 | 17 |

| Item | Part Number | Description | Illustration | Price | Quantity | Price Group |
|---------|---------------|-----------------------------------|--------------|-------|----------|-------------|
| 119 | 2 910 211 019 | Tapping Screw DIN 7971-ST3,9x16-F | 1 | -,- | 1 | 10 |
| 120 | 3 601 110 403 | Sticker SHADOW SIDE | 1 | -,- | 1 | 15 |
| 125 | 2 601 328 002 | Cover Disc | 1 | -,- | 1 | 14 |
| 126 | 2 608 001 005 | Switch Rocker BLUE | 1 | -,- | 1 | 14 |
| 127 | 2 608 001 008 | Switch Slide | 1 | -,- | 1 | 12 |
| 128 | 2 604 611 033 | Compression Spring | 1 | -,- | 1 | 12 |
| 129 | 2 608 001 010 | Switch Handle BLACK | 1 | -,- | 1 | 14 |
| 130 | 2 600 150 003 | Shim | 1 | -,- | 1 | 12 |
| 131 | 2 600 101 617 | Shim 0,3 MM | 1 | -,- | 1 | 11 |
| 132 | 3 604 336 011 | Brush Holder | 1 | -,- | 1 | 38 |
| 133 | 2 605 104 339 | Housing Cover BLUE | 1 | -,- | 1 | 26 |
| 134 | 2 910 211 283 | Tapping Screw DIN 7971-B3,9x45 | 1 | -,- | 1 | 11 |
| 135 | 2 910 211 007 | Tapping Screw DIN 7971-BZ2,9x16 | 1 | -,- | 2 | 11 |
| 136 | 3 601 110 206 | Sticker | 1 | -,- | 1 | 14 |
| 137 | 2 603 230 001 | Ball BLUE | 1 | -,- | 1 | 11 |
| 138 | 2 601 329 037 | Contact Spring | 1 | -,- | 1 | 11 |
| 744 | 2 608 639 027 | Nibbling Punch | 1 | -,- | 1 | - |
| 748 | 2 608 639 028 | Lower Die | 1 | -,- | 1 | - |
| 804/010 | 3 607 030 229 | Socket head cap screw M 3,5x7 MM | 1 | -,- | 2 | 18 |
| 808 | 1 601 11A 3H3 | Nameplate | 1 | -,- | 1 | 13 |
| 818 | 1 600 A00 3A0 | Planetary-Gear Carrier | 1 | -,- | 1 | 48 |
| 820 | 3 607 030 493 | Lower Die Ring | 1 | -,- | 1 | 52 |
| 832/08 | 1 604 652 013 | Spiral Spring | 1 | -,- | 1 | 11 |
| 832/09 | 3 607 014 001 | Carbon-Brush Set | 1 | -,- | 1 | 24 |

Illustration - Type E



Information subject to change without further notice.