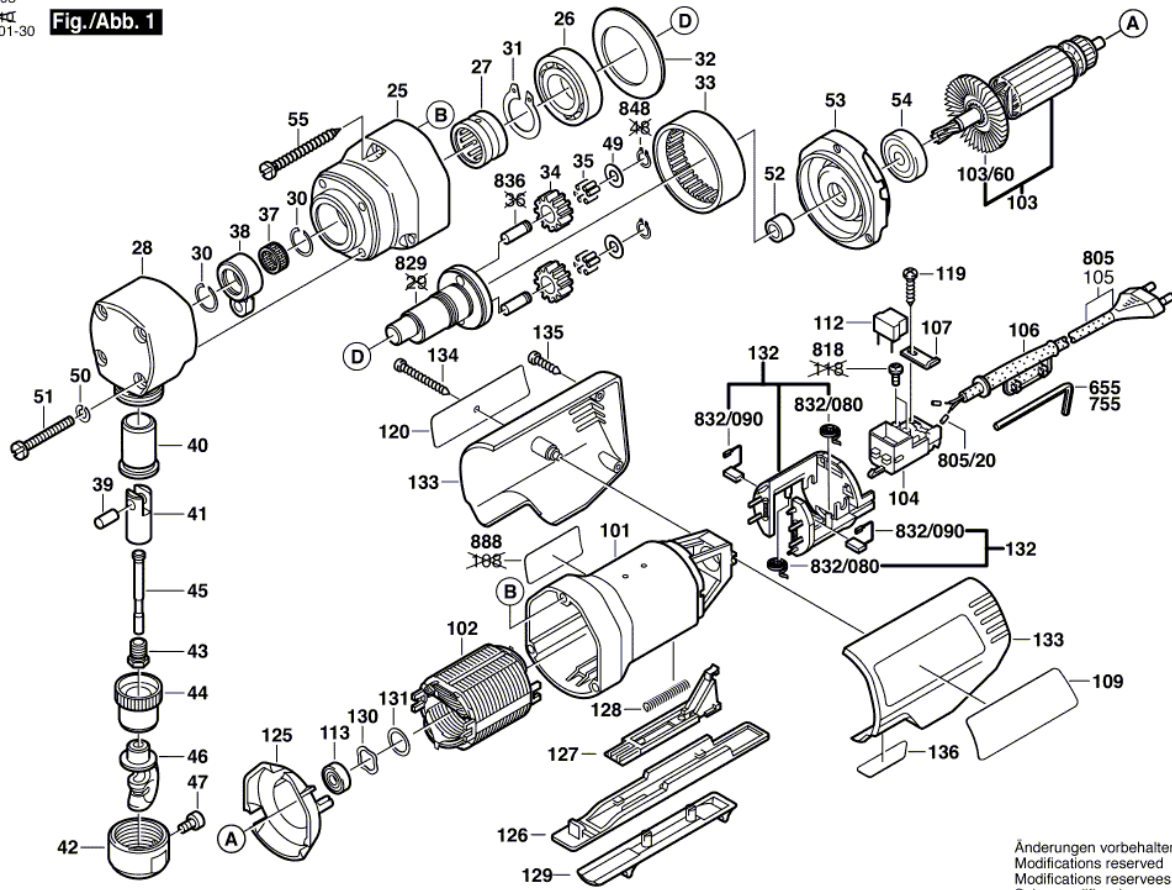


1800 W. Central Mount Prospect IL 60056

0 601 529 103  
Stand 13-14  
Issue J 01-01-30

**Fig./Abb. 1**



Änderungen vorbehalten  
Modifications reserved  
Modifications reserves  
Salvo modificaciones

Pos.	Part Number	Description	Pos.	Part Number	Description
25	2 605 806 306	Gear Housing	832/090	2 604 320 911	Carbon-Brush Set
26	1 900 900 274	Deep-Groove Ball Bearing	848	2 916 080 008	Locking Washer
27	2 600 914 011	Needle bearing	888	1 601 106 032	
28	2 605 500 042	Gear Cover			
30	2 600 224 009	Retaining ring			
31	2 916 650 011	Spring retaining ring			
32	2 600 550 017	Disc Spring			
33	2 606 334 040	Ring Gear			
34	2 606 316 033	Cylindrical Gear			
35	1 903 201 020	Needle Roller			
37	2 600 913 035	Needle-Roller Cage			
38	2 602 001 001	Connecting Rod			
39	2 603 100 003	Bearing bolt			
40	2 600 422 005	Bushing			
41	2 603 104 001	Power piston			
42	3 603 340 017				
43	2 603 455 006	Hollow Bolt			
44	2 608 639 015	Lower Die Ring			
45	2 608 639 013	Nibbling Punch			
46	2 608 639 014	Lower Die			
47	2 603 414 003	Hex Socket Head Cap Screw			
49	1 600 100 611	Shim			
50	2 916 690 003	Spring Lock Washer			
51	2 910 021 138	Socket head cap screw			
52	2 600 300 047	Seal Bushing			
53	2 605 700 182	Bearing Flange			
54	2 600 905 021	Deep-Groove Ball Bearing			
54	2 600 905 039	Deep-Groove Ball Bearing			
55	2 910 211 283	Tapping Screw			
101	2 605 108 060	Motor Housing			
102	2 604 220 501	Field			
103	2 604 011 073	Armature			
103/60	2 606 610 081	Fan			
104	2 607 200 311	Push-Button Switch			
105	2 604 460 138	Power supply cord			
106	2 600 703 035	Grommet			
107	1 601 302 017	Fastening Clamp			
109	3 601 119 100	Sticker			
113	2 600 905 032	Deep-Groove Ball Bearing			
119	2 910 211 011	Tapping Screw			
120	3 601 119 095	Sticker			
125	2 601 328 002	Cover Disc			
126	2 608 001 005	Switch Rocker			
127	2 608 001 008	Switch Slide			
128	2 604 611 033	Compression Spring			
129	2 608 001 010	Switch Handle			
130	2 600 150 003	Shim			
131	2 600 101 617	Shim			
132	2 604 337 050	Brush Holder			
133	2 605 104 339	Housing Section			
134	2 910 211 283	Tapping Screw			
135	2 910 211 007	Tapping Screw			
136	3 601 110 206	Sticker			
755	1 907 950 003	Offset Screwdriver			
805/20	1 900 452 012	End Splice			
818	3 607 030 229	Socket head cap screw			
829	2 606 122 900	Eccentric Shaft			
832/080	1 604 652 013	Spiral Spring			