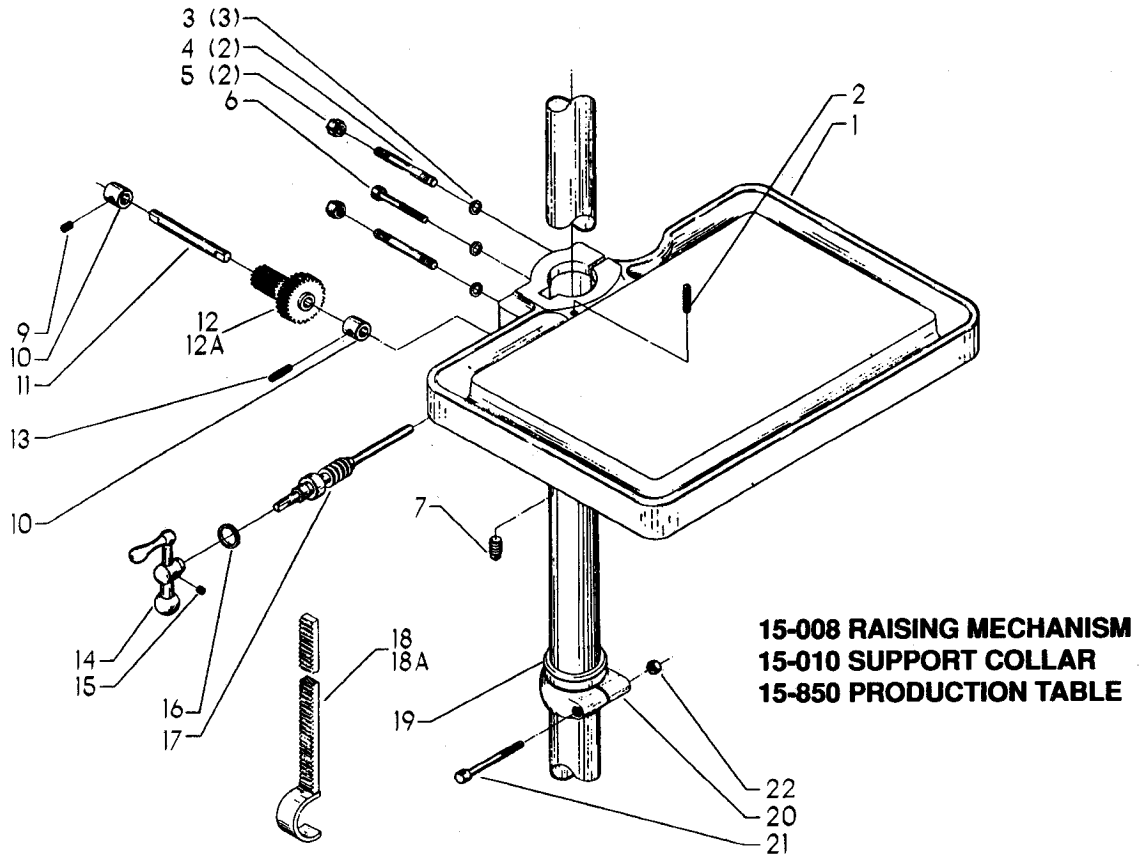


15" DRILL PRESS ACCESSORIES
15-008 RAISING MECHANISM
15-010 SUPPORT COLLAR
15-030 HEAD COUNTER BALANCE
15-820 FOOT FEED
15-840 MORTISING ATTACHMENT
15-850 PRODUCTION TABLE



15-008 RAISING MECHANISM
15-010 SUPPORT COLLAR
15-850 PRODUCTION TABLE

REPLACEMENT PARTS

REF NO	PART NUMBER	DESCRIPTION	REF NO	PART NUMBER	DESCRIPTION
1	15-850	PRODUCTION TABLE, INCL:	13	901-04-150-0292	5/16-18 X 1 1/4" HEX SOC SET SCREW
2	901-04-150-0205	5/16-18 X 1/4" HEX SOC SET SCREW	14	930-05-991-4787	BALL CRANK, INCL:
3	904-01-031-2925	FLAT WASHER	15	901-04-150-0206	5/16-18 X 5/16" HEX SOC SET SCREW
4	901-07-261-3239	STUD	16	902-07-020-7174	13/32-24 BEARING NUT
5	902-01-040-1004	7/16-14 JAM NUT	17	402-05-406-5007	WORM SHAFT ASSY
6	901-01-060-0632	7/16-14 X 2 3/4" HEX HD SCREW	18	402-07-351-5001	GEAR RACK - .415" THICK (Current Models Only, See Service Note A)
7	906-00-000-2439	PIPE PLUG	18A	402-05-351-5003	RACK W/HOOK - .500" THICK (Early Models Only, See Service Note A)
*	15-008	RAISING MECHANISM, CONST OF:	19	920-52-991-3932	BEARING
9	901-04-190-0207	5/16-18 X 1/2" HEX SOC SET SCREW	20	15-010	SUPPORT COLLAR, INCL:
10	904-10-021-4532	BUSHING	21	901-01-060-0641	1/4-20 X 3 1/2" HEX HD SCREW
11	402-02-106-5004	SHAFT	22	902-01-040-1004	7/16-14 JAM NUT
12	402-07-051-5002	COMPOUND GEAR (Current Models Only, See Service Note A)			
12A	402-05-051-5010	COMPOUND GEAR (Early Models Only, See Service Note A)			
			*	NOT SHOWN ASSEMBLED	

SERVICE NOTES:

A - Current Model Compound Gear and Rack are not interchangeable with corresponding parts of Early Model raising mechanism. If replacement becomes necessary, measure thickness of present rack to determine which part or combination of parts to order. Current Model raising mechanisms require the use of part no 402-07-051-5002, compound gear (Ref No 12) and/or part no 402-07-351-5001, .415" thick rack (Ref No 18) Early Models require the use of part no 402-05-051-5010, compound gear (Ref No 12A) and/or part no 402-05-351-5003, .500" thick rack (Ref No 18A).