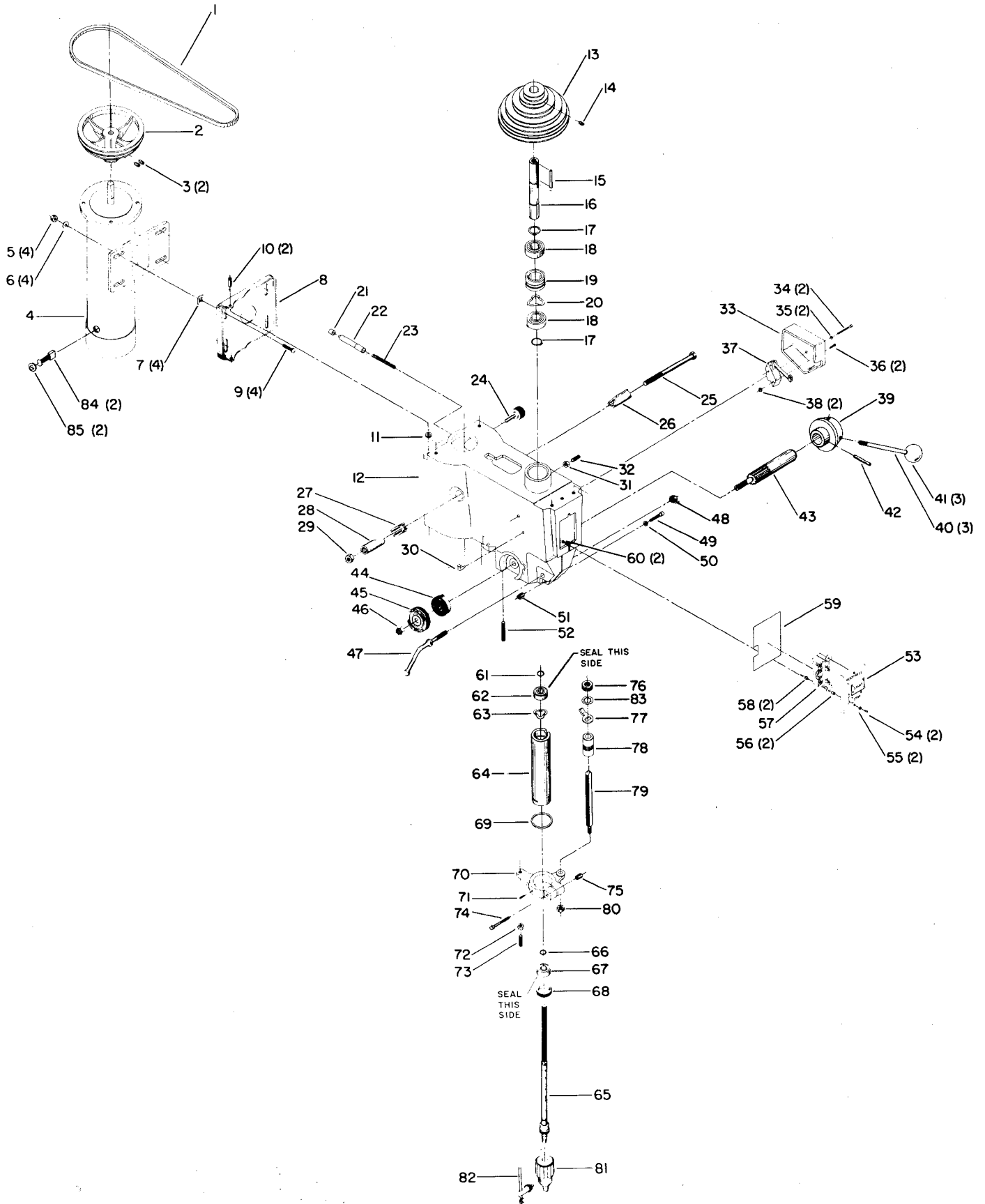


# 15-200, 15-201, 15-202

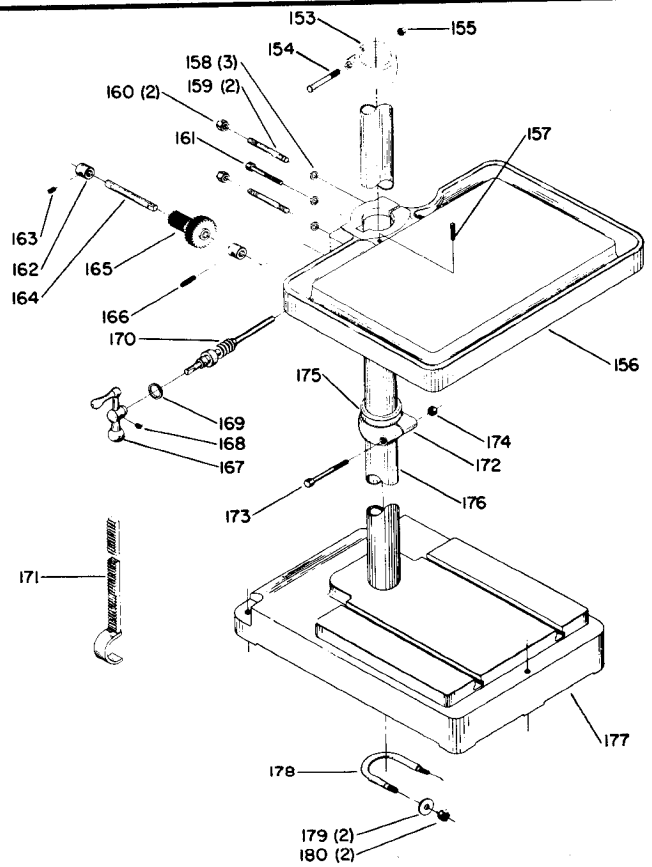
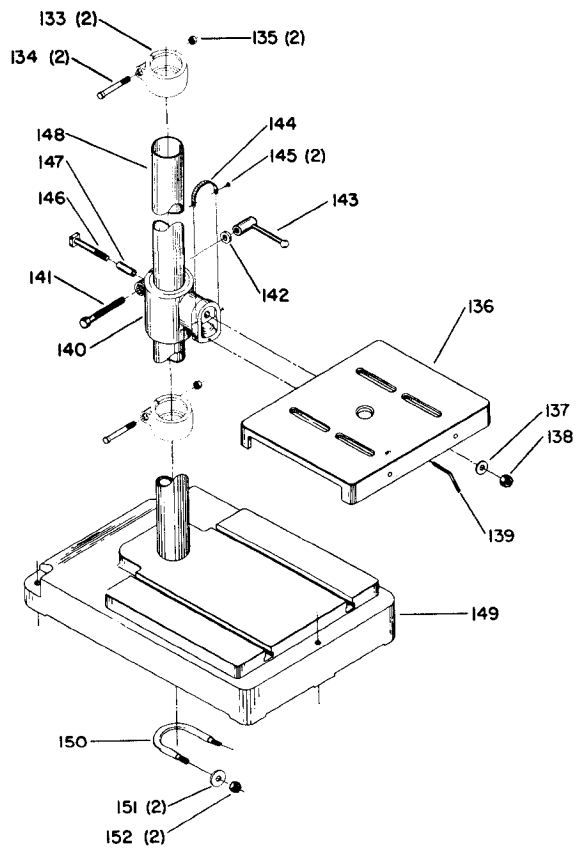
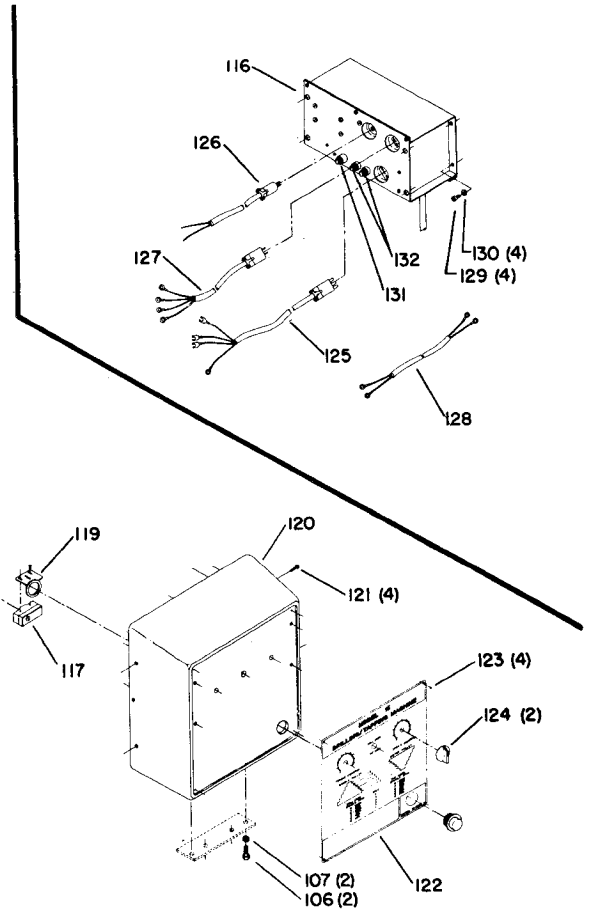
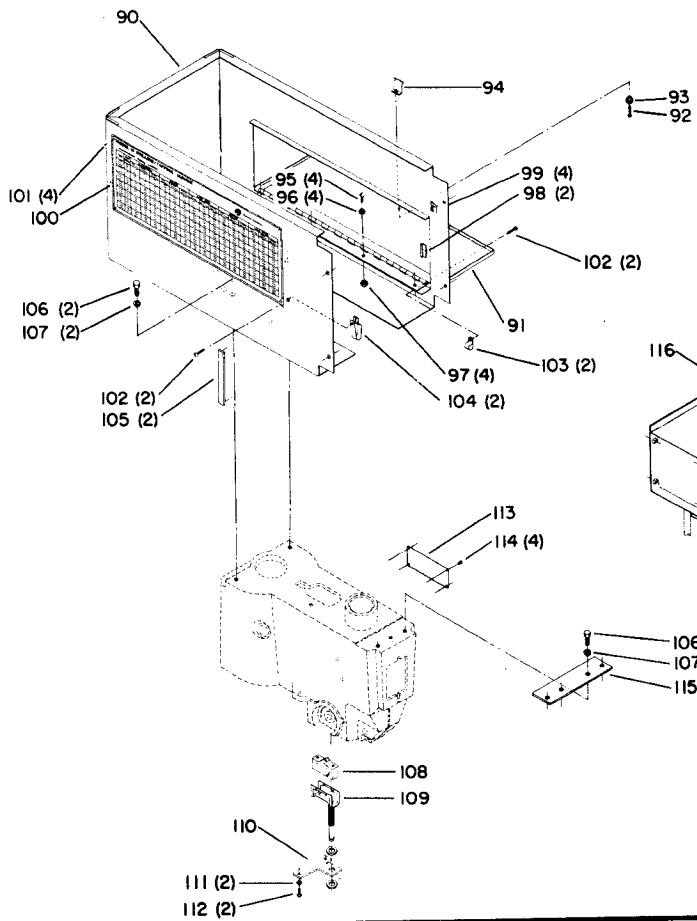
## MODEL 15

### DRILLING/TAPPING MACHINE



# Replacement Parts

Ref. No.	Part No.	Description	Ref. No.	Part No.	Description
1	925-01-013-1085	V-Belt (45" O.C.)	45	402-04-031-5001	Clock Spring Housing
2	41-833	Motor Pulley, 5/8" Bore, Incl:	46	902-01-281-7295	1/2-20 Hex Lock Nut
3	901-04-150-6215	1/4-20 X 3/8" Hex Soc Set Scr.	47	931-04-051-4071	Ball Crank
4	438-02-314-0727	Motor	48	902-01-010-1232	7/16-20 Hex Nut
5	902-01-010-1300	5/16-18 Hex Nut	49	901-03-010-0760	1/4-20 X 1-1/4" Soc. Hd. Cap Scr.
6	904-01-010-1620	11/32 X 11/16 X 1/16 Washer	50	904-02-010-2051	1/4" Split Lockwasher
7	902-03-000-2951	Tinnerman Nut	51	902-01-200-9706	1/4-20 Special Hex Nut
8	402-04-072-5001	Motor Plate	52	402-04-112-5001	Adjusting Screw
9	901-11-020-0834	5/16-18 X 3/4" Carriage Bolt	53	438-01-308-0009	Switch Cover Ass'y.
10	905-01-010-5085	5/16 X 5/4" Roll Pin	54	0905907	#6-32 X 1/4" Rd. Hd. Mach. Scr.
11	904-01-010-1620	11/32 X 11/16 X 1/16" Washer	55	904-03-020-1763	#6 Lockwasher
12	402-12-057-5001	Head	56	402-07-104-5007	Spacer
13	926-07-992-0588	Spindle Pulley, Incl:	57	438-01-017-0101	Switch
14	901-04-150-6215	1/4-20 X 3/8" Soc Set Scr.	58	1085986	Stud
15	927-03-010-2668	3/16 X 3/16 X 1-3/4" Key	59	438-01-011-0025	Insulator
*	402-04-405-5006	Sleeve Assembly, Const. of:	60	902-01-120-9232	#6-32 Hex Nut
16	402-04-105-5006	Sleeve	*	402-04-377-5003	Quill Ass'y Complete, Const. of:
17	904-15-010-7025	Retaining Ring	61	904-15-010-7411	Retaining Ring
18	920-04-020-5360	Bearing	62	920-04-020-5384	Bearing
19	402-04-079-5001	Retainer	63	928-06-011-4127	Spring Washer
20	928-06-010-7352	Spring Washer	64	402-04-077-5002	Quill
21	1202117	Stop	65	402-04-385-5006	Spindle Ass'y, Incl:
22	1201531	Bumper	66	904-15-010-7410	Ring
23	928-01-021-4110	Spring	67	920-04-020-5384	Bearing
24	931-03-991-9032	Handknob	68	902-07-020-7176	Bearing Nut
25	901-01-060-0621	1/2-13 X 5-1/2" Hex Hd. Cap Scr.	69	908-00-000-3769	Special Gasket
26	402-03-105-5001	Sleeve	70	402-12-314-5001	Bracket Ass'y, Incl:
27	402-03-027-5002	Column Clamp	71	901-04-090-0112	#10-32 X 1/2" Set Screw
28	402-03-105-5003	Sleeve	72	902-01-020-5435	5/16-18 Hex Nut
29	902-01-010-1282	1/2-13 Hex Nut	73	901-04-150-1107	5/16-18 X 1" Soc. Set Scr.
30	907-01-050-5239	Oiler	74	901-01-060-0622	1/4-20 X 2" Hex Hd. Cap Scr.
31	902-01-020-5435	5/16-18 Hex Jam Nut	75	902-01-200-9706	1/4-20 Special Hex Nut
32	901-04-140-6247	5/16-18 X 3/4" Soc Set Scr.	76	402-12-068-5001	Knurled Nut
33	402-12-031-5001	Limit Switch Cover	77	402-12-067-5001	Actuator
34	901-02-050-0700	#10-32 X 1-1/2" Fil Hd. Mach. Scr.	78	402-12-104-5001	Knurled Spacer
35	904-03-030-1795	#10 Split Lockwasher	79	402-04-108-5007	Rod
36	901-02-010-7755	#6-32 X 1/2" Rd. Hd. Mach. Scr.	80	902-01-050-1005	3/8-16 Hex Nut
37	438-01-017-0129	Limit Switch	81	956-01-013-1083	Chuck
38	902-01-120-9232	#6-32 Hex Nut	82	1200490	Chuck Key
39	402-04-107-5002	Hub	83	904-03-020-1751	5/8" Lockwasher
40	952-01-021-3263	Rod	84	438-02-007-0009	Brush
41	1201642	Slip on Knob	85	438-02-011-0016	Brush Cap
42	905-01-010-6745	3/16 X 1-7/8" Roll Pin			
43	402-12-051-5001	Pinion Shaft	*	NOT SHOWN ASSEMBLED	
44	928-08-011-8868	Pinion Clock Spring			



# Replacement Parts

Ref. No.	Part No.	Description	Ref. No.	Part No.	Description
*	402-12-354-5003	Guard Ass'y., Const. Of:	*	15-809	Tilt Table Complete, Const. of:
90	402-12-054-5005	Guard	136	402-04-091-5004	Tilt Table
91	402-12-331-5001	Cover Assembly	137	904-01-010-1636	17/32 X 1-1/16 X .095" Washer
92	901-02-010-0541	#10-24 X 3/4" Rd. Hd. Scr.	138	902-01-100-1028	1/2-13 Hex Nut
93	931-02-152-0471	Knob	139	402-02-071-5001	Pin
94	961-04-012-0520	Catch	140	402-02-314-5001	Bracket Ass'y., Incl:
95	901-02-010-0593	#10-24 X 3/8" Rd. Hd. Mach. Scr.	141	901-01-060-0618	1/2-13 X 3-1/2" Hex Hd. Cap Scr.
96	904-03-020-1775	Shakeproff Washer	142	904-10-031-3893	Special Washer
97	902-01-120-1216	#10-24 Hex Nut	143	931-04-991-3461	Lock Bolt
98	402-04-016-5001	Bumper (Cement in Place)	144	402-04-072-5002	Scale
99	902-03-050-2974	Speed Nut	145	901-06-450-2849	#6 X 1/4" Drive Screw
100	960-02-013-1144	Tapping Chart	146	901-11-010-7862	1/2-13 X 2-3/4" Sq. Hd. Bolt
101	901-06-450-2250	#4 X 3/16" Drive Scr.	147	402-04-105-5005	Sleeve
102	901-05-430-3026	#8 X 3/4" Truss Hd. Mach. Scr.	148	15-806	Column
103	961-04-011-3412	Cable Clamp	149	402-04-005-5006	Base
104	961-04-991-3414	Cable Clamp	150	402-04-027-5003	Column Clamp
105	402-07-104-5004	Rubber Spacer	151	904-01-031-4958	1/2 X 1-1/2 X 1/8" Washer
106	901-01-060-0607	5/16-18 X 3/4" Hex Hd. Cap Scr.	152	902-01-010-5437	7/16-14 Hex Nut
107	904-02-010-1703	5/16" Lockwasher	153	15-010	Support Collar, Incl:
108	438-01-017-0128	Limit Switch	154	901-01-060-0641	7/16-14 X 3-1/2" Hex Hd. Scr.
109	402-12-001-5001	Actuator	155	902-01-040-1004	7/16-14 Hex Nut
110	402-12-014-5002	Bracket	156	15-850	Production Table, Incl:
111	904-03-030-1795	#10 Split Lockwasher	157	901-04-080-0103	5/16-18 X 1/4" Headless Set Scr.
112	901-03-040-8019	#10-32 X 1/2" But. Hd. Scr.	158	904-01-031-2925	Special Washer
113	Serial Plate	By Request Only	159	901-07-261-3239	Stud
114	901-06-450-2250	#4 X 3/16" Drive Scr.	160	902-01-040-1004	7/16-14 Hex Nut
115	402-12-072-5001	Plate	161	901-01-060-0632	7/16-14 X 2-3/4" Hex Hd. Scr.
116	438-01-337-0001	Controller	*	15-008	Raising Mechanism, Const. of:
117	438-01-017-0128	Limit Switch	162	904-10-021-4532	Collar
118	402-12-031-5003	Limit Switch Cover	163	901-04-190-0207	5/16-18 X 1/2" Soc. Set Scr.
119	402-12-001-5002	Actuator	164	402-02-106-5004	Shaft
120	402-12-054-5004	Guard	165	402-07-051-5002	Compound Gear
121	901-06-171-7386	#10-24 X 5/8" Truss Hd. Scr.	166	901-04-080-0115	5/16-18 X 1-1/4" Headless Set Scr.
122	960-02-013-1082	Nameplate	167	930-05-991-4787	Handle, Incl:
123	901-06-450-2250	#4 X 3/16" Drive Screw	168	901-04-150-0206	5/16-18 X 5/16" Soc Set Scr.
124	931-01-033-1080	Control Knob	169	902-07-020-7174	Closure Nut
125	438-01-302-0329	Cable Assembly	170	402-05-406-5007	Worm Shaft Assembly
126	438-01-302-0327	Cable Assembly	171	402-07-351-5001	Rack
127	438-01-302-0328	Cable Assembly	172	15-010	Support Collar, Incl:
128	438-01-302-0415	Cable Assembly	173	901-01-060-0641	7/16-14 X 3-1/2" Hex Hd. Scr.
129	901-03-010-0763	1/4-20 X 3/8" Soc. Hd. Cap Scr.	174	902-01-040-1004	7/16-14 Hex Nut
130	904-02-020-1702	1/4" Lockwasher	175	920-52-991-3932	Rack Thrust Bearing
131	438-01-027-0010	Fuse	176	15-806	Column
132	438-01-027-0009	Fuse	177	402-04-005-5006	Base
133	15-010	Support Collar, Incl:	178	402-04-027-5003	Column Clamp
134	901-01-060-0641	7/16-14 X 3-1/2" Hex Hd. Scr.	179	904-01-031-4958	1/2 X 1-1/2 X 1/8" Washer
135	902-01-040-1004	7/16-14 Hex Nut	180	902-01-010-5437	7/16-14 Hex Nut

\* NOT SHOWN ASSEMBLED