

Impact Wrench - 0 601 435 134 - 1435 R

www.powertools-aftersaleservice.com



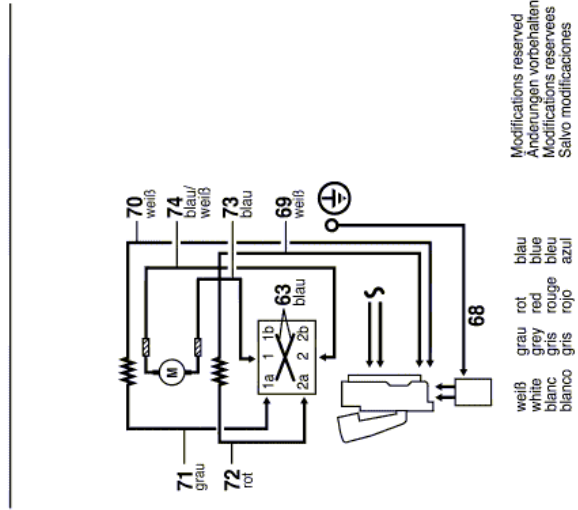
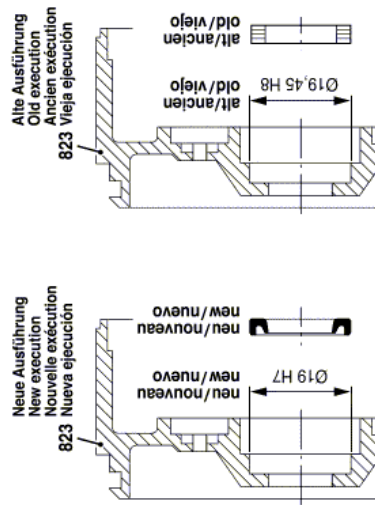
BOSCH

Item	Part Number	Description	Illustration	Price	Quantity	Price Group
	1 3 605 108 091	Motor Housing BLUE		1	-,-	1 34
	3/50 1 606 610 122	Fan		1	-,-	1 13
	4 1 607 200 079	Switch		1	-,-	1 34
	4/10 2 910 011 082	Socket head cap screw DIN 84-AM3,5x6-5.8		1	-,-	4 10
	5 1 604 460 092	Power supply cord USA/CDN 2,15m 2 x 2,08mm SJ 14/2		1	-,-	1 28
	6 3 600 703 011	Grommet Ø9,2-Ø12x120 MM		1	-,-	1 13
	7 1 601 302 014	Fastening Clamp		1	-,-	1 11
	9 2 610 906 965	Sticker		1	-,-	1 15
	13 2 600 905 032	Deep-Groove Ball Bearing 7x19x6		1	-,-	1 17
	14 3 600 905 131	Deep-Groove Ball Bearing 9x26x8		1	-,-	1 23
	20 2 917 500 119	Straight Pin DIN 7-5H8x14		1	-,-	1 11
	21 3 605 806 166	Spindle Bearing		1	-,-	1 51
	27 1 606 455 054	Coupling Half		1	-,-	1 51
	28 3 600 202 019	Spacer Ring		1	-,-	1 31
	29 1 608 710 028	Striker		1	-,-	1 55
	30 1 603 124 106	Drive Shaft		1	-,-	1 49
	31 3 600 220 019	Thrust ring		1	-,-	1 46
	32 1 600 502 019	Air-Deflector Ring		1	-,-	1 15
	33 3 600 300 042	Intermediate Ring		1	-,-	1 22
	35 1 600 910 018	Needle bearing Ø8xØ12x8 MM		1	-,-	2 16
	36 1 900 905 281	Deep-Groove Ball Bearing 17x40x12		1	-,-	1 33
	37 1 903 230 015	Ball DIN 5401-9 MM III-ST		1	-,-	2 13
	38 1 903 230 009	Ball DIN 5401-5 G28		1	-,-	18 10
	39 1 600 119 004	Spring retaining ring		1	-,-	1 14
	40 1 600 150 009	Spring Washer Ø32,3xØ43,5x0,6 MM		1	-,-	1 14
	41 2 916 650 006	Spring retaining ring DIN 471-15x1-FSt		1	-,-	1 11
	42 1 902 300 083	Parallel Key DIN 6885-A6X4X14		1	-,-	1 11
	43 3 606 301 006	Cylindrical Gear Z=25		1	-,-	1 41
	45 1 600 100 617	Shim 0,5 MM THICK		1	-,-	2 11
	46 3 600 210 131	O-Ring 35,0x3,0 MM		1	-,-	1 15
	47 1 600 210 005	O-Ring 66,0x3,0 MM		1	-,-	1 12
	48 1 600 206 022	Rubber Ring		1	-,-	1 12
	49 3 605 500 043	Bearing cover		1	-,-	1 16

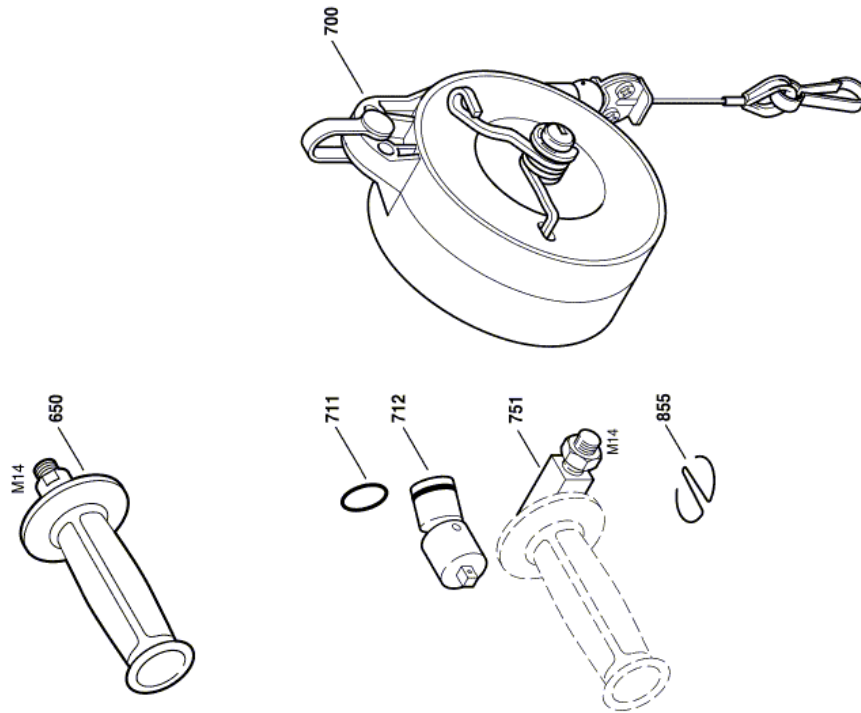
Item	Part Number	Description	Illustration	Price	Quantity	Price Group
50	1 600 502 011	Intermediate Ring		1	-,-	1 11
51	1 604 613 006	Compression Spring		1	-,-	2 11
52	3 604 610 059	Compression Spring		1	-,-	1 29
53	3 604 652 001	Spiral Spring		1	-,-	2 13
54	2 910 021 118	Socket head cap screw DIN 84-AM4x8-8.8		1	-,-	2 10
55	3 602 317 025	Insulating Strip		1	-,-	2 11
56	2 910 211 019	Tapping Screw DIN 7971-ST3,9x16-F		1	-,-	6 10
59	3 603 435 040	Lens Head Screw		1	-,-	2 11
60	2 910 151 170	Hex Socket Head Cap Screw DIN 912-BM 5x40-10.9		1	-,-	2 11
61	3 603 435 041	Lens Head Screw		1	-,-	2 11
62	3 603 435 027	Tapping Screw 5x30		1	-,-	4 10
63	3 604 412 002	Connecting Cable L=60 MM BLUE		1	-,-	2 18
64	3 600 120 013	Plain Washer DIN 7603-A4x8		1	-,-	2 10
65	1 600 101 600	Shim washer 0,4 MM THICK		1	-,-	1 11
66	2 610 906 868	Sticker		1	-,-	1 15
67	1 600 712 027	Shrinkable Tube		1	-,-	1 11
69	3 604 438 025	Connecting Cable L=470 MM WHITE		1	-,-	1 18
70	1 604 438 012	Connecting Cable L=330 MM WHITE		1	-,-	1 16
71	3 604 460 135	Connecting Cable L=330 MM		1	-,-	1 17
72	3 604 438 008	Connecting Cable L=160 MM RED		1	-,-	1 15
73	3 604 460 011	Connecting Cable L=330 MM WHITE		1	-,-	1 14
74	3 604 460 012	Connecting Cable L=200 MM BLUE		1	-,-	1 14
75	3 601 025 003	Wire Guide		1	-,-	4 11
76	2 910 211 234	Tapping Screw DIN 7971-B4,8x19		1	-,-	4 11
77	3 605 500 062	Sealing cap BLACK		1	-,-	1 25
78	3 601 310 013	Suspension Loop		1	-,-	1 30
79	2 910 131 193	Hex Socket Head Cap Screw		1	-,-	2 10
80	2 914 201 508	Torx Oval-Head Screw		1	-,-	3 10
81	3 600 707 022	Shrinkable Tube		1	-,-	4 15
88	3 603 435 045	Socket head cap screw		1	-,-	2 10
89	3 601 023 010	Seal		1	-,-	1 19
90	1 601 030 022	Tab Washer		1	-,-	2 11
650	1 602 025 022	Auxiliary Handle M14 BLACK		2	-,-	1 26
650	1 602 025 030	Auxiliary Handle M14, Ø37x115 MM BLACK		2	-,-	1 28
700	0 607 950 926	Spring Pull 8-10 KG CARRYING LOAD		2	-,-	1 -
712	1 608 500 009	Ball Joint 1", 100 MM		2	-,-	1 -
751	1 603 527 017	Threaded Fitting M14, L=70 MM		2	-,-	1 -
802	3 604 220 139	Field 100-115V		1	-,-	1 41
803	3 604 010 072	Armature 110-115V		1	-,-	1 49
808	1 601 106 032	Nameplate 26x52 MM		1	-,-	1 13
810	3 607 014 012	Carbon-Brush Set		1	-,-	1 31
816	1 607 000 189	Brush Holder		1	-,-	2 19
822	3 607 031 648	Gear Housing		1	-,-	1 47
823	3 605 806 168	Intermediate Flange		1	-,-	1 43
824	3 605 132 061	Handle BLACK		1	-,-	1 31
825	3 605 500 063	Sealing cap BLUE		1	-,-	1 16
826	3 607 200 025	Switch		1	-,-	1 32
834	3 600 290 070	Rotary shaft lip seal		1	-,-	1 20
844	3 606 309 045	Spindle With Gear Z=8/35		1	-,-	1 42
855	3 607 000 094	Retaining Spring		2	-,-	1 26
860	3 603 414 028	Hex Socket Head Cap Screw		1	-,-	2 10
869	3 604 460 009	Connecting Cable L=450 MM WHITE		1	-,-	1 17
871	1 604 438 013	Connecting Cable L=345 MM GRAY		1	-,-	1 16

Item	Part Number	Description	Illustration	Price	Quantity	Price Group
875	1 601 025 001	Wire Guide	1	-,-	4	11

Illustration - Type E



0 601 435 103
Issue } 10-09-29
Stand }
Fig./Abb. 2



Information subject to change without further notice.