

Drill Screwdriver - 0 601 421 734 - 1421 VSR

www.powertools-aftersaleservice.com

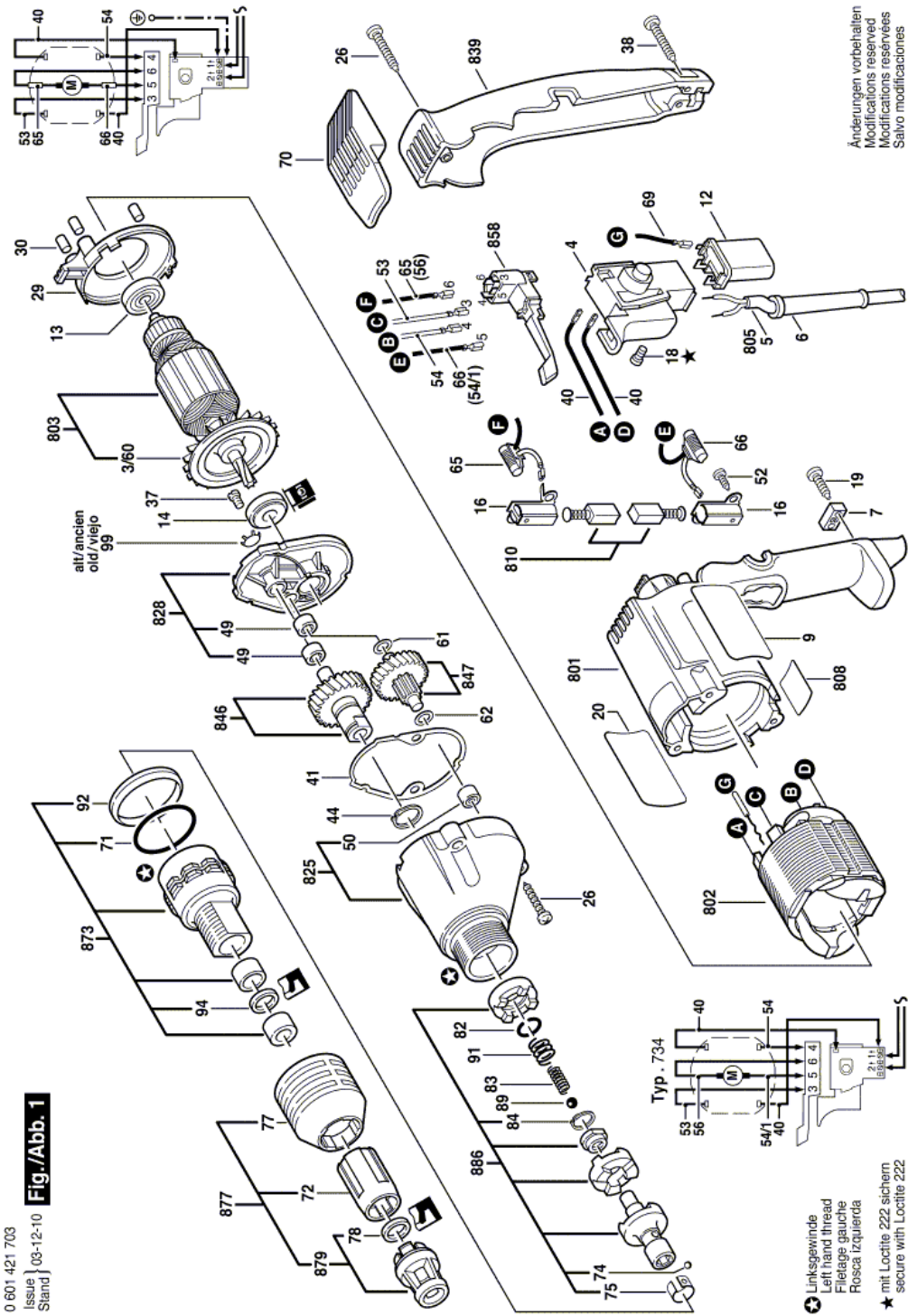


BOSCH

Item	Part Number	Description	Illustration	Price	Quantity	Price Group
3/60	1 606 610 116	Fan		1	-,-	1 14
4	2 607 200 203	Switch		1	-,-	1 38
5	2 604 460 249	Power supply cord SAM 2,7m 2 x 0,82mm SJ 18/2		1	-,-	1 27
6	2 600 703 013	Grommet Ø7,6-Ø8,2x95 MM		1	-,-	1 13
7	2 601 035 001	Cable Clip		1	-,-	1 11
9	2 601 116 667	Manufacturer's nameplate		1	-,-	1 17
13	1 900 905 018	Ball Bearing 7x22x7		1	-,-	1 28
14	2 600 905 095	Ball Bearing 9x24x7		1	-,-	1 24
16	2 604 337 003	Brush Holder		1	-,-	2 12
19	2 603 490 022	Screw 4x16		1	-,-	2 10
20	9 920 490 130	Reference Plate		1	-,-	1 11
26	2 603 490 025	Torx Oval-Head Screw 4x30		1	-,-	4 10
29	3 600 590 505	Cover Disc		1	-,-	1 12
30	3 602 391 503	Rubber Buffer		1	-,-	3 12
37	2 603 410 048	Thread-forming tap. Screw M4x8		1	-,-	2 11
38	2 603 490 023	Torx Oval-Head Screw 4x20		1	-,-	2 10
40	2 604 448 005	Cable L=130 MM WHITE		1	-,-	2 11
41	3 601 016 502	Flat Seal Ring		1	-,-	1 16
44	2 916 650 003	Spring retaining ring DIN 471-12x1-FSt		1	-,-	1 11
49	2 600 917 004	Needle bearing		1	-,-	2 15
50	1 610 910 057	Needle bearing Ø8xØ12x10 MM		1	-,-	1 14
52	2 603 490 017	Torx Oval-Head Screw 3x10		1	-,-	4 10
53	2 604 448 074	Connecting Cable L=98 MM BLACK		1	-,-	1 11
54/1	2 604 448 104	Connecting Cable L=63 MM WHITE		1	-,-	1 11
56	1 614 448 014	Connecting Cable L=80 MM		1	-,-	1 13
61	2 600 100 628	Shim 0,5 MM		1	-,-	1 11
62	2 600 101 654	Shim 0,3 MM		1	-,-	1 12
70	3 600 690 503	Clip BLACK		1	-,-	1 22
71	2 600 210 043	O-Ring		1	-,-	1 11
72	3 600 360 505	Spacer Sleeve BLACK		1	-,-	1 21
74	1 903 230 006	Ball DIN 5401-3,5 MM-III-ST		1	-,-	1 12
75	3 600 034 504	Ball Support		1	-,-	1 14
77	3 600 390 502	Locking Ring BLACK		1	-,-	1 20

Item	Part Number	Description	Illustration	Price	Quantity	Price Group
78	3 600 290 502	Seal Ring	1	-,-	1	15
82	3 600 200 516	Retaining ring	1	-,-	1	10
83	3 604 613 507	Spring	1	-,-	1	12
84	3 600 118 502	Spring retaining ring	1	-,-	1	13
89	1 903 230 011	Ball DIN 5401-6 G28	1	-,-	1	11
91	3 604 613 506	Spring	1	-,-	1	12
92	3 600 113 506	Insulating Sleeve GRAY	1	-,-	1	11
94	3 600 290 503	Seal Ring	1	-,-	1	14
99	3 600 171 504	Locking Washer	1	-,-	1	12
801	3 605 108 557	Motor Housing DARK BLUE	1	-,-	1	31
802	2 604 220 446	Field 100V	1	-,-	1	29
803	2 604 010 801	Armature 115V	1	-,-	1	37
808	1 601 11A 3H3	Nameplate	1	-,-	1	13
810	2 604 321 905	Carbon-Brush Set	1	-,-	1	23
825	3 605 190 518	Gear Housing BLACK	1	-,-	1	35
828	3 605 806 537	Bearing Bracket	1	-,-	1	32
839	3 605 133 521	Housing Cover DARK BLUE	1	-,-	1	21
846	3 606 120 566	Drive Shaft Z=33	1	-,-	1	32
847	3 606 319 522	Toothed Shaft Z=41/17	1	-,-	1	35
873	3 605 190 520	Clutch	1	-,-	1	32
877	3 600 552 509	Depth-Gauge	1	-,-	1	31
879	3 600 552 505	Depth-Gauge	1	-,-	1	-
886	3 606 441 503	Clutch	1	-,-	1	41

Illustration - Type E



Information subject to change without further notice.