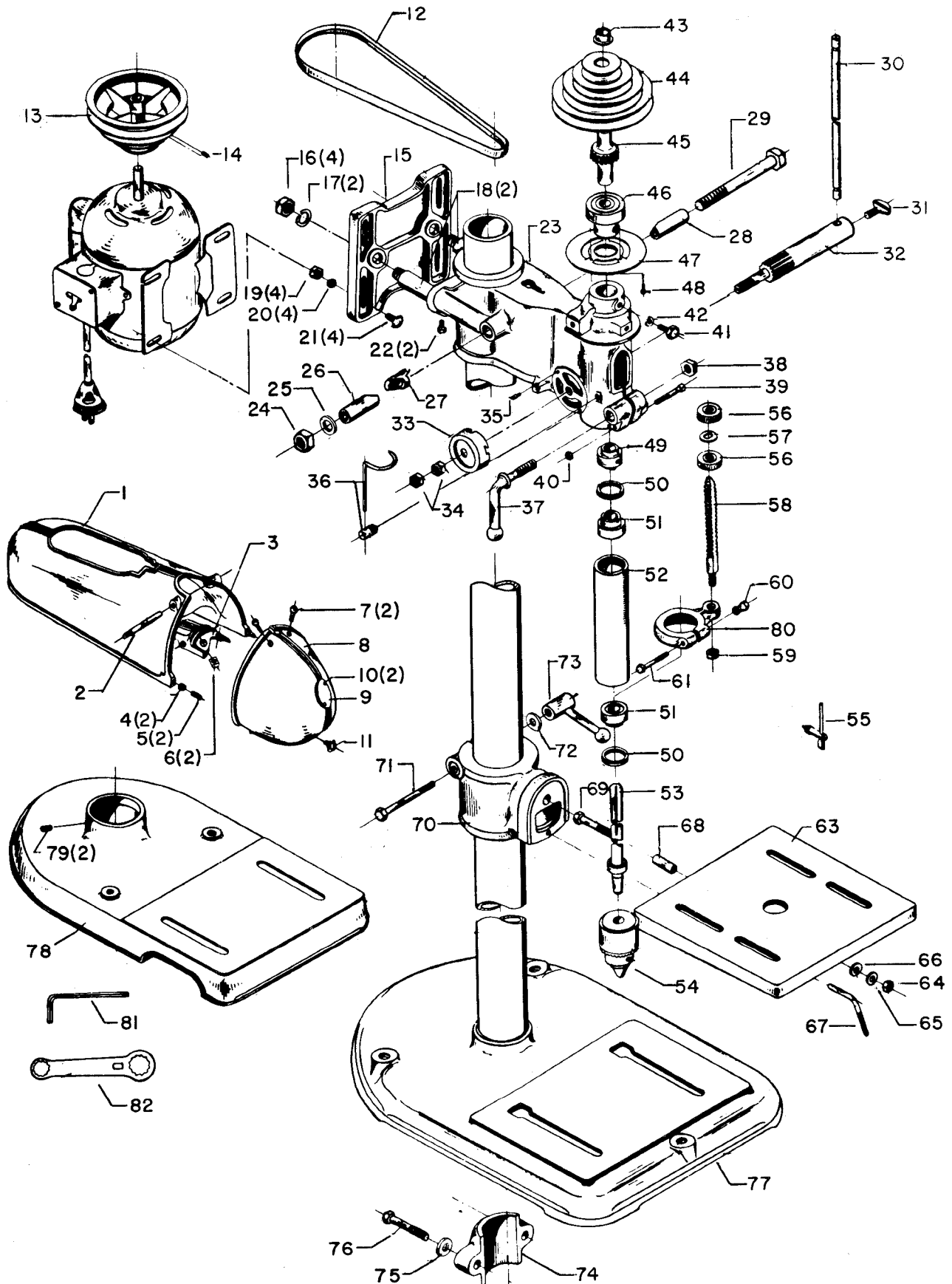


14-205, 14-206, 14-207, 14-208, 14-210, 14-211, 14-212, 14-213,  
14" DRILL PRESS (old style with DP-220 Head Casting)



# Replacement Parts

Ref. No.	Part No.	Description	Ref. No.	Part No.	Description
1	Cannot Furnish	Belt Guard, Incl:	*	926-04-991-2315	Hi-Speed Pulley, Const. of:
2	402-02-071-5002	Pin	43	402-02-031-5002	Spindle Sleeve Cover
3	Cannot Furnish	Hinge	44	926-04-021-4677	Hi-Speed Pulley
4	902-01-120-1203	#10-32 Hex Nut	45	402-02-051-5002	Spindle Sleeve
5	901-04-120-0155	#10-32 x 1/2" Set Scr.	46	1202434	Bearing
6	902-02-040-1303	5/16-18 Hex Nut	47	402-02-079-5001	Hi-Speed Brg. Retainer
7	901-02-080-0412	5/16-18 x 1" Oval Hd. Scr.	48	901-20-230-3801	#8-32 x 3/8" Rd. Hd. Scr.
8	Cannot Furnish	Pulley Guard, Incl:	49	904-10-991-4501	Collar, Incl:
9	960-02-010-1861	Nameplate	**	901-04-150-0208	1/4-20 Set Screw
10	901-06-450-2252	Drive Screw	*	402-02-377-5001	Quill Ass'y., Const. of:
11	901-20-210-3800	5/16-18 X 7/8" Fil. Hd. Screw	50	902-07-020-7174	Brg. Closure Nut
12	400-06-133-0001	Slo-Speed Belt	51	920-08-040-5342	Bearing
12	49-387	Hi-Speed Belt	52	402-02-077-5001	Quill
13	41-702	1/2" Bore - Motor Pulley, Incl:	53	402-02-385-5005	Spindle
14	901-04-190-0201	5/16-18 x 5/16" Soc. Set Scr.	54	956-01-011-4153	Chuck
13	41-703	5/8" Bore - Motor Pulley, Incl:	55	1200490	Chuck Key
14	901-04-150-1185	1/4-20 x 5/16" Soc. Set Scr. (1)	56	902-08-061-3080	Knurled Stop Nut
13	41-704	3/4" Bore - Motor Pulley, Incl:	57	904-01-101-2943	Stop Nut Washer
14	901-04-190-0201	5/16-18 x 5/16" Soc. Set Scr.	58	402-09-408-0001	Stop Rod
15	402-02-072-5001	Motor Plate	59	902-01-010-5900	3/8-16 Hex Nut
16	902-01-020-1226	5/16-18 Hex Jam Nut	60	931-02-141-4087	1/4-20 Special Nut
17	904-03-020-1751	5/8" Shakeproof Washer	61	901-01-060-0522	1/4-20 x 2" Hex Hd. Cap Scr.
18	402-02-111-5001	Stud	62	15-804	Column (Bench Model)
19	902-01-010-1300	5/16-18 Hex Nut	62	15-806	Column (Floor Model)
20	904-01-010-1620	5/16" Washer	*	15-809	Tilt Table Complete, Const. of:
21	901-11-020-0808	5/16 x 1" Car. Bolt	63	402-04-091-5004	Tilt Table
22	901-01-060-0607	5/16-18 x 3/4" Set Screw	64	902-01-100-1028	1/2-13 Hex Nut
23	Cannot Furnish	Head Casting	65	904-01-010-1636	11/32 x 1-1/16 x .095 Washer
24	902-01-100-1028	1/2-13 Hex Nut	66	402-04-017-5002	Spring Bushing
25	904-10-031-3893	Washer	67	402-02-071-5001	Index Pin
26	402-03-105-5003	Clamp Sleeve	68	402-02-105-5001	Sleeve
27	402-03-027-5002	Shoe	69	901-11-010-7862	1/2-13 x 2-3/4" Sq. Hd. Bolt
28	402-03-105-5001	Clamp Sleeve	70	402-02-314-5001	Table Bracket, Incl:
29	901-01-060-0621	1/2-13 x 5-1/2" Hex Hd. Scr.	**	402-04-072-5002	Scale
30	952-01-051-3257	Feed Handle	**	901-06-450-2849	#6 x 1/4" Drive Screw
31	901-04-260-1523	Thumb Screw	71	901-01-060-0618	1/2-13 x 3-1/2" Hex Hd. Scr.
32	402-02-406-5001	Pinion Shaft	72	904-10-031-3893	Washer
33	402-02-320-5001	Return Spring W/Case	73	931-04-991-3461	Clamp Handle
34	902-01-020-1227	1/2-20 Hex Jam Nut	74	402-02-027-5001	Base Cap
35	402-03-112-5001	Special Screw	75	904-02-010-1716	7/16" Lockwasher
36	Cannot Furnish	Index Pointer Ass'y.	76	901-01-060-0641	7/16-14 x 3-1/2" Hex Hd. Mach. Bolt
37	931-04-051-4072	Ball End Lever	77	402-04-305-5001	Base (Floor Model)
38	902-01-010-5437	7/16-14 Hex Nut	78	402-04-005-5001	Base (Bench Model)
39	901-03-013-1026	1/4-20 X 1-3/4" Fil Hd. Screw	79	901-04-190-0207	5/16-18 x 1/2" Set Screw
40	902-01-200-9706	1/4-20 Special Nut	80	402-02-014-5003	Stop Collar
41	402-02-112-5001	3/8-24 x 5/8" Hex Hd. Scr.	81	Cannot Furnish	Wrench
42	904-02-010-1709	3/8" Lockwasher	82	40-526	Wrench
*	926-04-991-2320	Slo-Speed Pulley, Const. of:			
43	402-02-031-5002	Spindle Sleeve Cover	*	Not Shown Assembled	
44	926-04-021-2321	Slo-Speed Pulley	**	Not Shown	
45	402-02-051-5002	Spindle Sleeve			
46	1202434	Bearing			
47	Cannot Furnish	Slo-Speed Brg. Retainer			
48	901-20-230-3801	#8-32 X 3/8" Rd. Hd. Screw			