

Angle Grinder - 0 601 375 0F8 - 1375

www.powertools-aftersaleservice.com



BOSCH

Item	Part Number	Description	Illustration	Price	Quantity	Price Group
1	1 619 P09 772	Motor Housing	1	-,-	1	25
2	1 604 220 330	Field 110-115V	1	-,-	1	29
3	1 604 010 628	Armature 110-115V	1	-,-	1	32
3/50	1 606 610 141	Fan	1	-,-	1	16
4	1 607 200 146	Switch	1	-,-	1	22
5	2 604 460 122	Power supply cord USA/CDN 2,15m 2 x 0,82mm SJ 18/2	1	-,-	1	28
6	2 600 703 013	Grommet Ø7,6-Ø8,2x95 MM	1	-,-	1	13
7	1 601 302 017	Fastening Clamp	1	-,-	1	10
9	1 619 P00 490	Manufacturer's nameplate	1	-,-	1	15
13	1 619 P11 239	Deep-Groove Ball Bearing	1	-,-	1	16
14	2 609 110 094	Deep-Groove Ball Bearing	1	-,-	1	14
16	1 604 336 035	Brush Holder	1	-,-	2	14
17	1 604 652 013	Spiral Spring	1	-,-	2	11
18	1 604 611 031	Compression Spring	1	-,-	1	13
22	1 602 319 009	Adjusting Slide	1	-,-	1	13
23	1 619 P02 762	Switch Button BLACK	1	-,-	1	13
25	1 605 500 194	Housing Cover BLUE	1	-,-	1	18
26	1 600 502 023	Intermediate Ring	1	-,-	1	12
27	1 600 206 025	Rubber Ring	1	-,-	1	12
29	1 600 591 023	Air-Deflector Ring	1	-,-	1	13
30	1 600 591 024	Air-Deflector Ring	1	-,-	1	16
32	1 603 523 122	Grinding Spindle 5/8"	1	-,-	1	33
33	1 600 210 041	O-Ring 42,0x1,1 MM	1	-,-	1	13
35	1 600 136 016	Shim 0,1 MM THICK	1	-,-	1	13
35	1 600 136 017	Shim 0,2 MM THICK	1	-,-	1	13
37	1 600 100 033	Cover Disc	1	-,-	1	13
38	2 609 110 150	Crown Gear	1	-,-	1	19
39	2 609 110 149	Bevel Gear	1	-,-	1	16
45	2 915 011 007	Hex Nut DIN 934-M6-8-A	1	-,-	1	10
47	2 609 110 052	Special Screw	1	-,-	1	11
48	1 619 P00 220	Torx Oval-Head Screw 3x10	1	-,-	2	10
49	1 603 435 068	Thread-forming tap. Screw DIN 7500, M4x10, SR10.2	1	-,-	4	11

Item	Part Number	Description	Illustration	Price	Quantity	Price Group
50	2 910 611 020	Tapping Screw DIN 7981-ST3,9x19-C-H	1	-,-	1	11
55	2 910 611 022	Tapping Screw DIN 7981-ST3,9x25-C-H	1	-,-	4	10
80	3 600 150 021	Sealing disk	1	-,-	1	13
131	1 619 P01 598	Hex Screw Driver 4x95	2	-,-	1	13
132	1 619 P06 843	Key Holder	2	-,-	1	12
650/10	1 602 025 052	Auxiliary Handle M10 ANTI-VIBRATION	2	-,-	1	31
650/20	3 603 340 501	Clamping-Flange 5/8"-FL+B	2	-,-	1	17
650/30	1 607 950 060	Pin-Type Face-Wrench	2	-,-	1	15
650/50	3 603 340 503	Round Nut 5/8"	2	-,-	1	28
808	2 610 007 708	Nameplate	1	-,-	1	13
810	1 607 014 144	Carbon-Brush Set	1	-,-	1	22
821	1 605 806 466	Gear Housing	1	-,-	1	27
828	1 619 P02 708	Bearing Flange BLACK	1	-,-	1	22
840	1 607 000 298	Push-Button BLACK	1	-,-	1	16
841	1 600 910 018	Needle bearing Ø8xØ12x8 MM	1	-,-	1	16
851	1 619 P07 575	Protective Guard Ø 115 MM	2	-,-	1	-
857	2 910 641 081	Oval-Head Screw DIN7985-M3,5x5-4.8-H	1	-,-	2	10

Product information Angle Grinder - 0 601 375 0F8 - 1375

Product No	0 601 375 0F8
Description	251.828; Angle Grinder
DIN-Text	
ID_Text_Ext	0
Trading_Description	1375
Voltage_1	120 V
ID_Country_Product	USA

Illustration - Type E

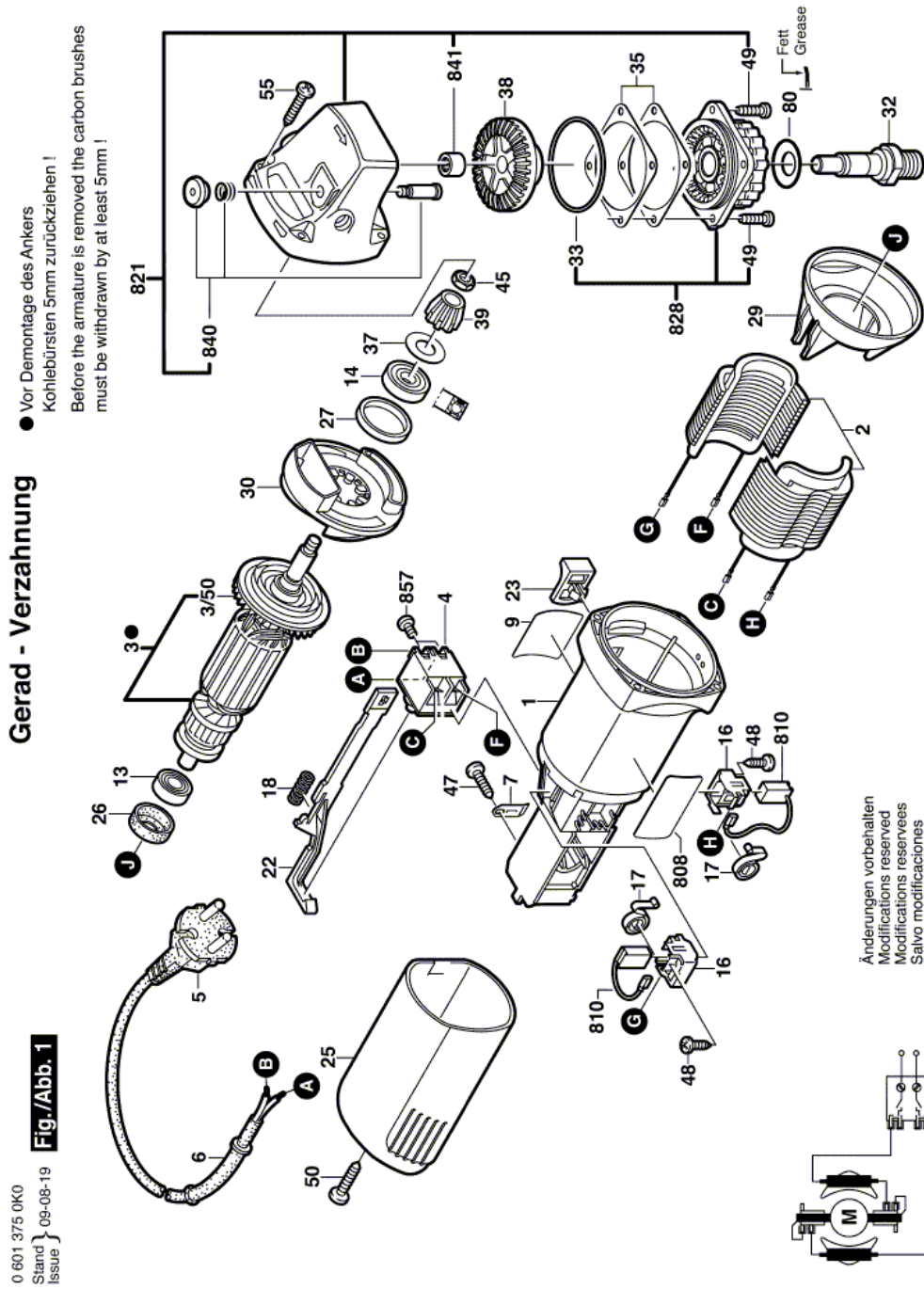
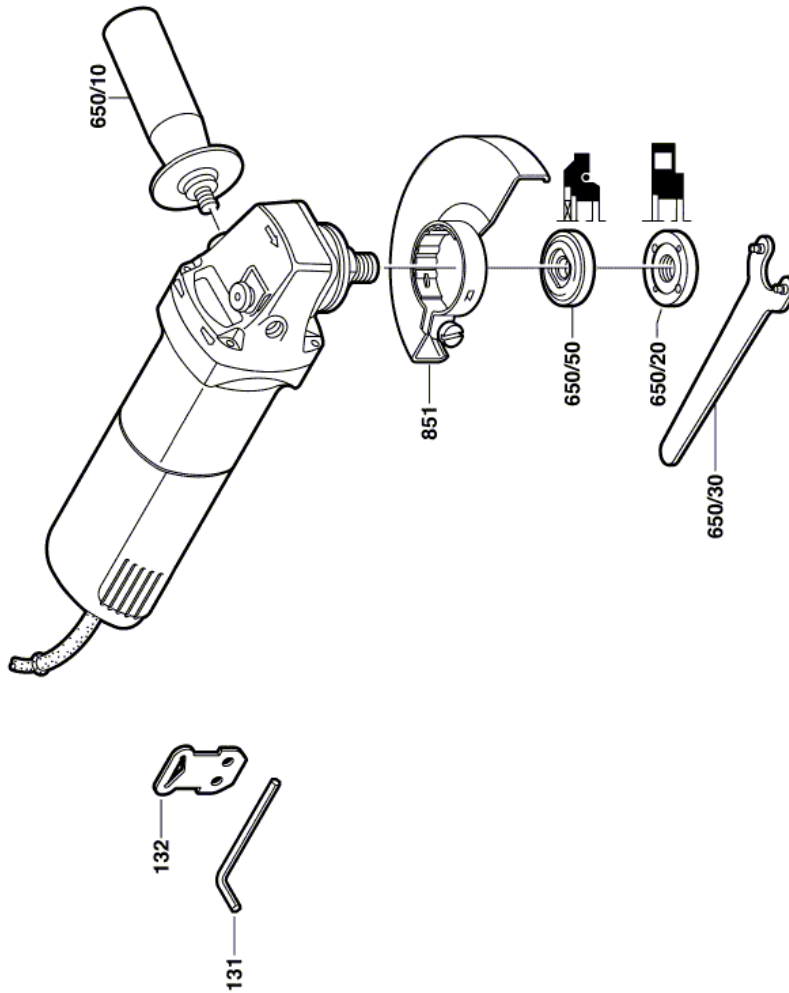


Illustration - Type E



0 601 375 0K0
Stand } 09-08-19
Issue } **Fig./Abb. 2**

Anderungen vorbehalten
Modifications reserved
Modificacions reserves
Salvo modificaciones

Information subject to change without further notice.