

137 (Export)

Spare parts

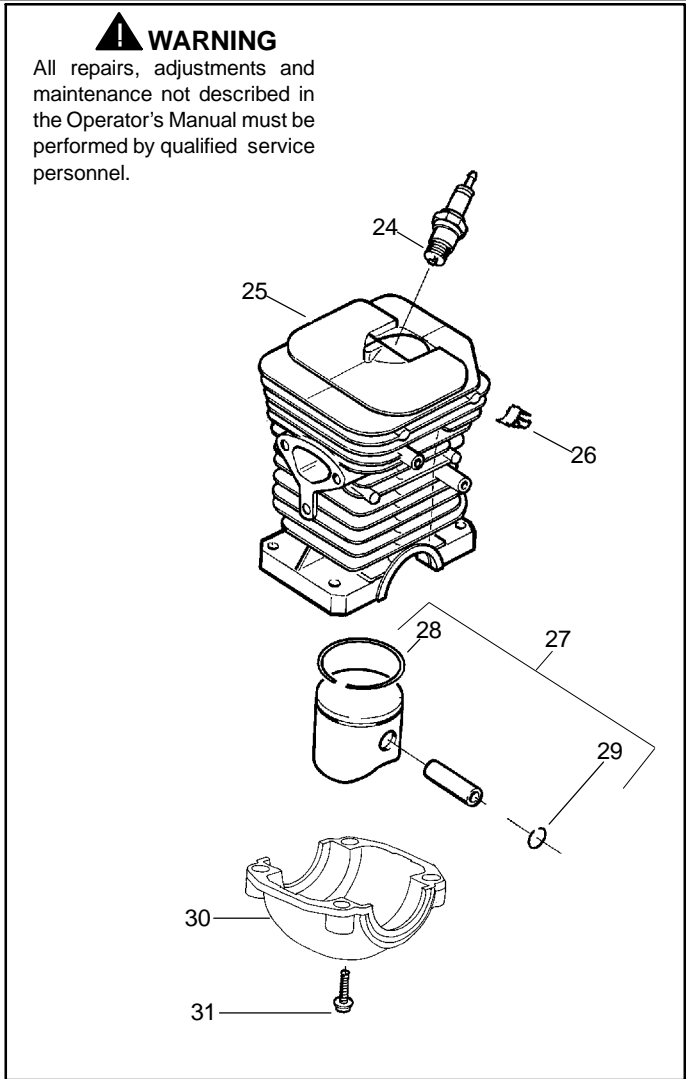
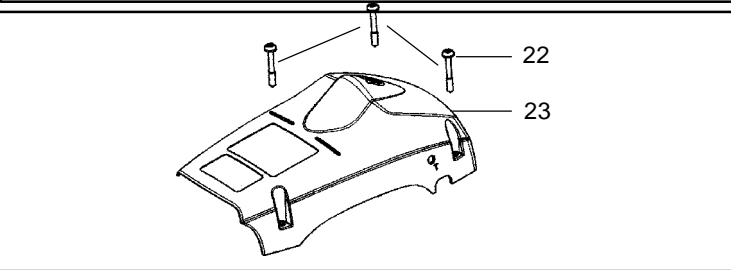
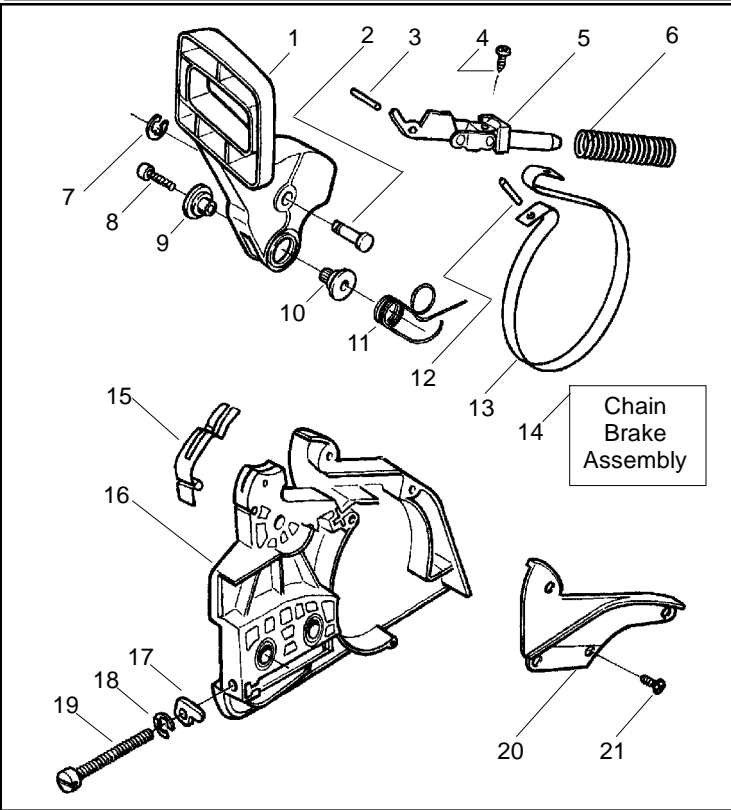
Ersatzteile

Pièces détachées

Reserve onderdelen

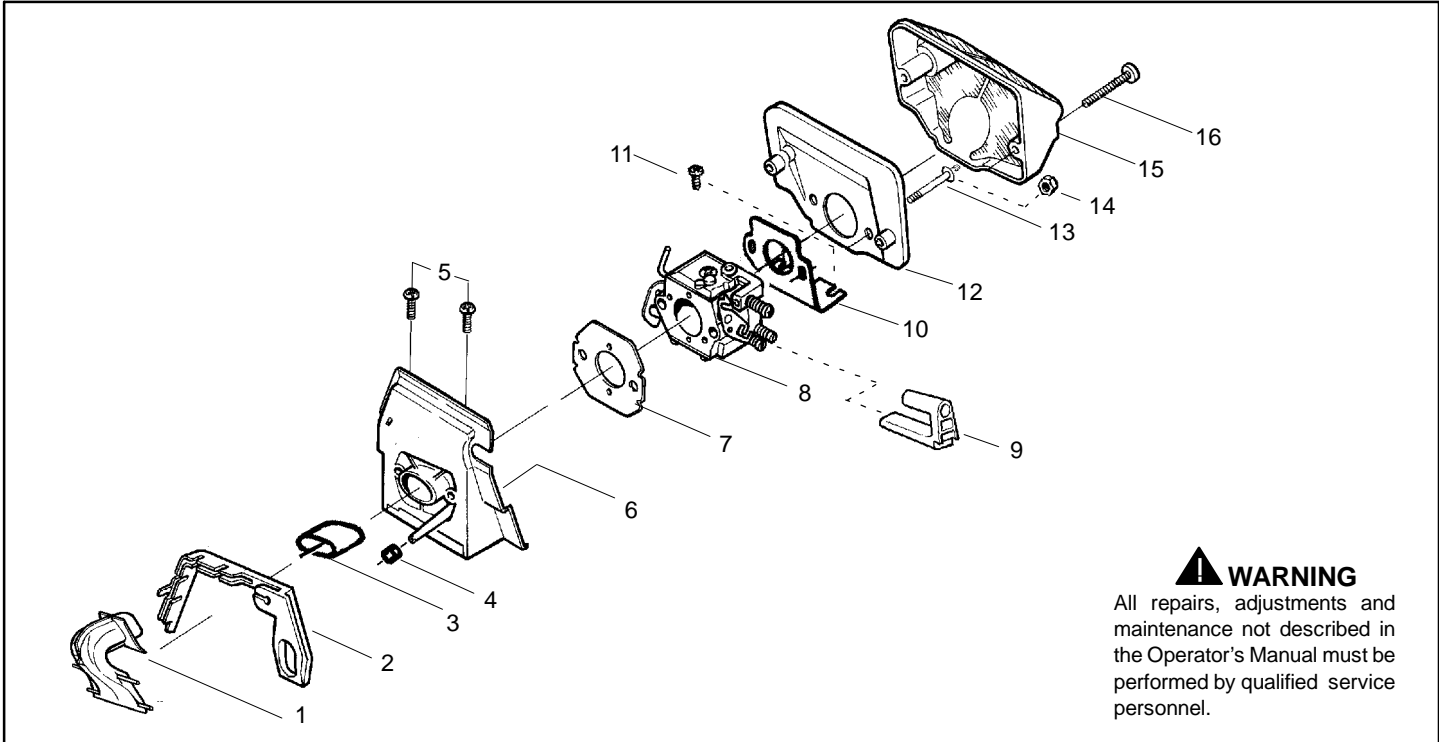
Repuestos

Reservdelar



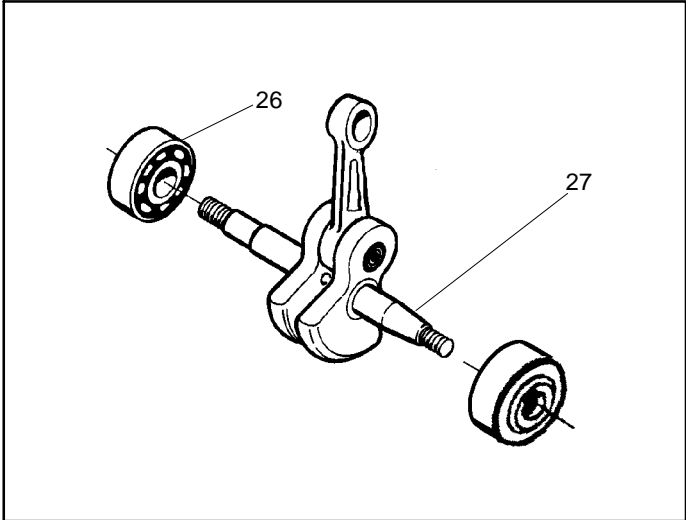
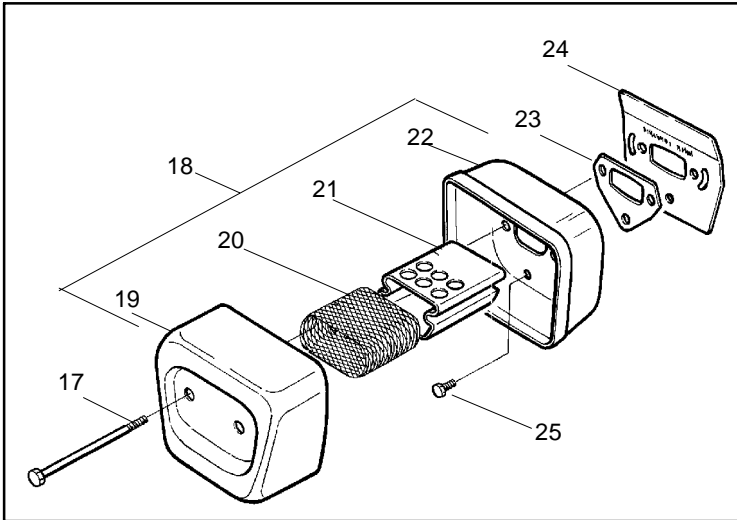
| Ref. | Part No. | Description | Ref. | Part No. | Description |
|------|-----------|---|------|-----------|---|
| 1 | 530071348 | Kit- Lever & Link Assy. (Incl. 5,13) | 26 | 530015696 | Clip - High Tension Lead |
| 2 | 530029879 | Pin-Pivot | 27 | 530069944 | Kit-Piston (36cc) (Includes pin and 28, 29) |
| 3 | 530015915 | Pin-Link | 28 | 530029805 | Ring-Piston (36cc) |
| 4 | 530015911 | Screw | 29 | 530015697 | Piston Pin Retainer |
| 5 | 530054741 | Assy-Front Link | 30 | 530049794 | Cap-Crankcase |
| 6 | 530016237 | Spring-Chain Brake | 31 | 530015897 | Screw |
| 7 | 530024419 | Retainer | | | Not Shown |
| 8 | 530016384 | Screw | | | |
| 9 | 530056531 | Journal-Right | | | |
| 10 | 530029881 | Journal-Left | | | |
| 11 | 530015910 | Spring-Handguard | | | |
| 12 | 530015913 | Pin-Spring | | | |
| 13 | 530052232 | Band-Brake | | | |
| 14 | 530054802 | Assy-Chain Brake (Incl. 1,2,3,4,5,6,7,8,9,10,11,12,13,15,16,17,18,19,20,21) | | | |
| 15 | 530029878 | Spring-Position | | | |
| 16 | 530049483 | Cover-Clutch | | | |
| 17 | 530015826 | Pin-Bar Adjusting | | | |
| 18 | 530038593 | Retainer | | | |
| 19 | 530016110 | Screw-Bar Adjusting | | | |
| 20 | 530053035 | Cover-Chain Brake Spring | | | |
| 21 | 530015911 | Screw | | | |
| 22 | 530016154 | Screw | | | |
| 23 | 530059960 | Shield-Cylinder | | | |
| 24 | 952030150 | Spark Plug (RCJ-7Y) | | | |
| 25 | 530069940 | Kit-Cylinder (36cc) (incl.#30 pg. 1 & #26 pg. 2) | | | |
| | | | | | Manual-Operator's (Eng. / Span.) |
| | | | | | (Japan) |
| | | | | | (Scan) |
| | | | | | (Euro 1) |
| | | | | | (Euro 2) |
| | | | | | (Euro 3) |
| | | | | | (Euro 4) |
| | | | | | (Euro 5) |
| | | | | | (Russian) |
| | | | | | (Aust. / NZ) |
| | | | | | (Turkish) |
| | | | | | Srench |
| | | | | | Decal-International Warning |
| | | | | | Decal-Warning |
| | | | | | Decal-Warning (Russia) |
| | | | | | Decal-CE Warning (Scan/Euro) |

↖ = NEW PART NUMBER FOR THIS IPL ★ = REFER TO THE SERVICE REFERENCE INDICATED FOR MORE INFORMATION. (LOCATED AT END OF IPL)



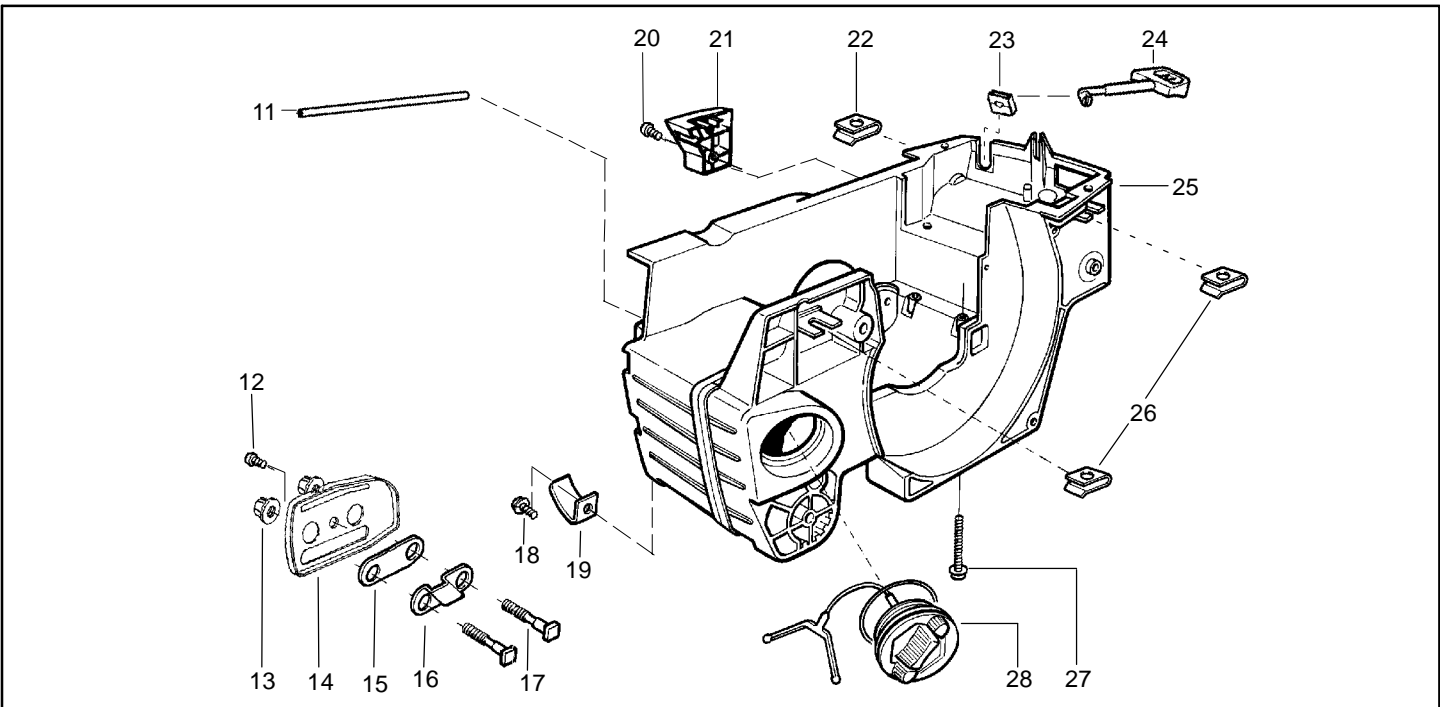
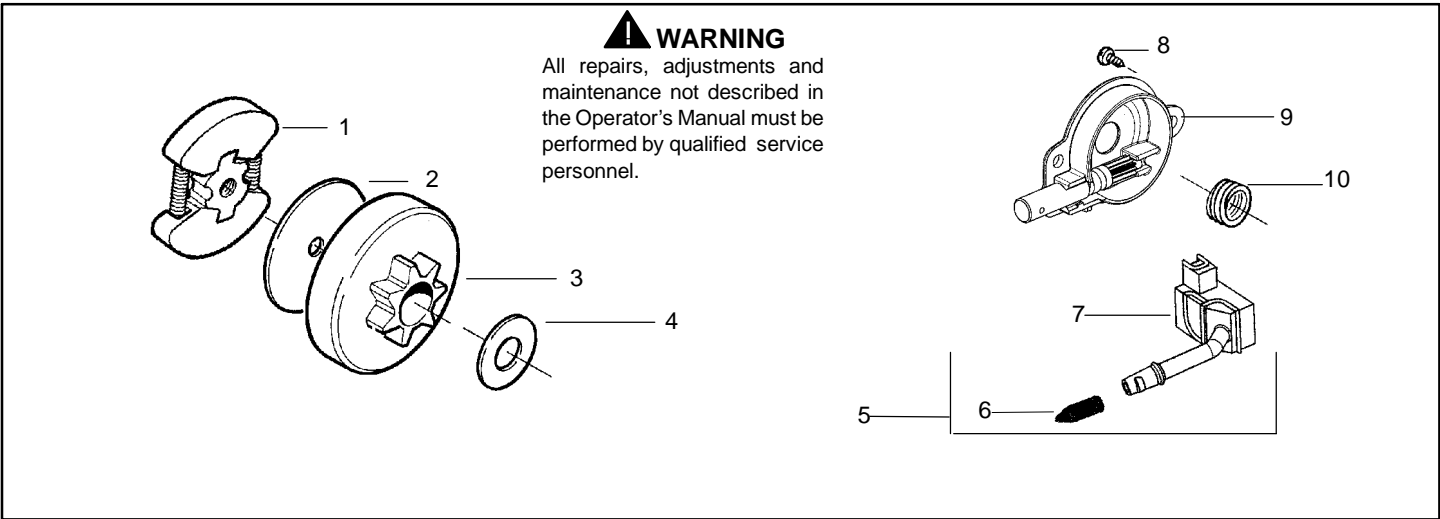
⚠ WARNING

All repairs, adjustments and maintenance not described in the Operator's Manual must be performed by qualified service personnel.



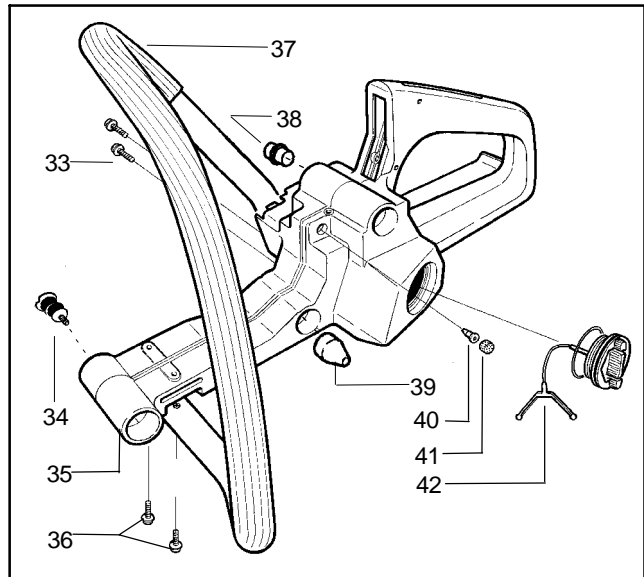
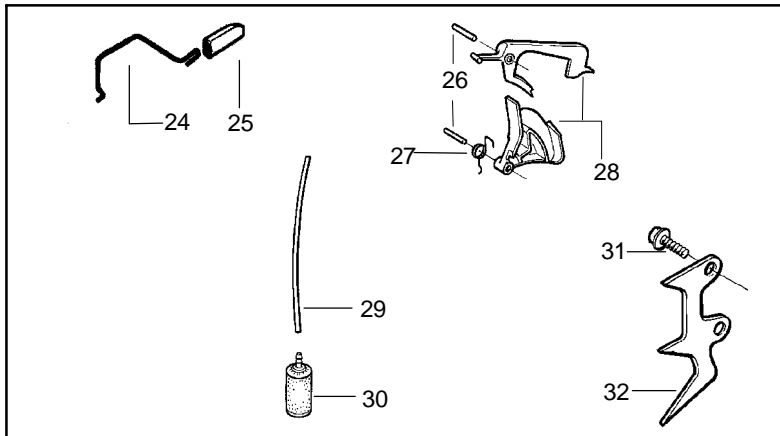
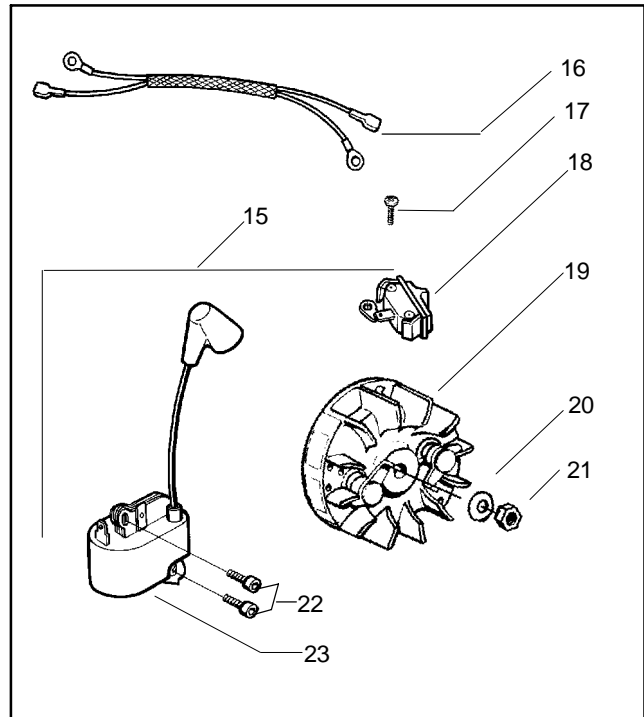
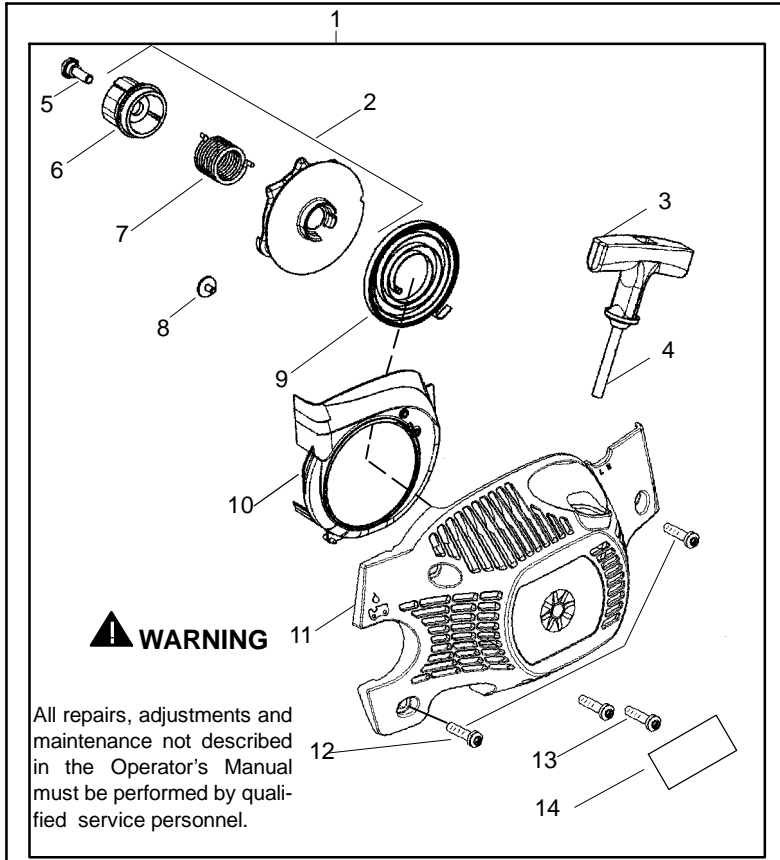
| Ref. | Part No. | Description | Ref. | Part No. | Description |
|------|-----------|------------------------|------|-----------|---|
| 1 | 530029813 | Assy-Turbo Air Cleaner | 14 | 530016008 | Nut |
| 2 | 530019203 | Seal - Turbo Clean | 15 | 545057801 | Air-Filter - Top |
| 3 | 530029814 | Sleeve-Intake | 16 | 530015899 | Screw |
| 4 | 530053435 | Seal-Impulse | 17 | 530016044 | Bolt-Muffler |
| 5 | 530015814 | Screw | 18 | 530069415 | Kit-Muffler (Includes 17,19,20,21,22,25) |
| 6 | 530037465 | Adapter - Carb. | 19 | 530037254 | Cover-Muffler |
| 7 | 530019172 | Gasket-Carburetor | 20 | 530029810 | Screen-Spark Arrestor |
| 8 | --- | Carburetor | 21 | 530037246 | Diffuser-Muffler |
| | 530071987 | W-29 | 22 | 530037251 | Body-Muffler |
| | 545013502 | WT-834 | 23 | 530019205 | Gasket-Muffler |
| 9 | 530035587 | Grommet-Final | 24 | 530037640 | Plate-Muffler |
| 10 | 530047767 | Plate - Support | 25 | 530015902 | Bolt-Muffler support |
| 11 | 530015896 | Screw | 26 | 530056363 | Assy. -Bearing and Seal |
| 12 | 530036582 | Air Filter - Bottom | 27 | 530029794 | Assy-Crankshaft & Rod |
| 13 | 530015968 | Stud - Carb. | | | |

✓ = NEW PART NUMBER FOR THIS IPL
 ● = THESE PARTS ARE ILLUSTRATED FOR CLARITY. ORDER COMPLETE ASSEMBLY.



| Ref. | Part No. | Description | Ref. | Part No. | Description |
|------|-----------|---|------|-----------|----------------------|
| 1 | 530014949 | Assy-Clutch | 14 | 530047855 | Plate-Bar |
| 2 | 530015611 | Washer-Clutch | 15 | 530019228 | Gasket |
| 3 | --- | Assy-Clutch Drum | 16 | 530036043 | Plate-Bar Stud |
| | 530047061 | 3/8" | 17 | 530015877 | Bar Bolt |
| | 530048132 | .325" | 18 | 530015878 | Screw |
| 4 | 530015907 | Washer-Thrust | 19 | 530029850 | Chain Catcher |
| 5 | 530014776 | Assy-Oil Pick-Up and Screen (Incl. 6,7) | 20 | 530015893 | Screw |
| 6 | 530056533 | Filter-Oil | 21 | 530052428 | Cover |
| 7 | 545037101 | Assy-Pickup | 22 | 530015922 | Nut-Type "U" Speed |
| 8 | 530015896 | Screw | 23 | 530029830 | Grommet |
| 9 | 530014410 | Assy-Oil Pump | 24 | 530029831 | Lever-Choke |
| 10 | 530029833 | Worm Gear-Oil Pump | 25 | 530071991 | Kit - Chassis Ass'y. |
| 11 | 545033501 | Tube-Oil Vent | 26 | 530015922 | Nut-Type "U" Speed |
| 12 | 530015896 | Screw (optional) | 27 | 530016037 | Screw |
| 13 | 530015917 | Nut | 28 | 501765602 | Assy.- Oil Tank Cap |

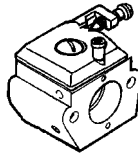
✓ = NEW PART NUMBER FOR THIS IPL * = REFER TO THE SERVICE REFERENCE INDICATED FOR MORE INFORMATION. (LOCATED AT END OF IPL)
 ● = THESE PARTS ARE ILLUSTRATED FOR CLARITY. ORDER COMPLETE ASSEMBLY.



| Ref. | Part No. | Description | Ref. | Part No. | Description | Ref. | Part No. | Description |
|------|-----------|--|------|-----------|-------------------------------------|------|-----------|--------------------------------------|
| 1 | 530071968 | Kit-Fan Hsg / Starter (Incl. 2, 3, 4, 5, 6, 7, 8, 9, 10, 11,) | 13 | 530015892 | Screw | 28 | 530069587 | Kit - Throttle Trigger |
| 2 | 530071966 | Kit-Starter EPS (Incl. 5,6,7,8) | 14 | 545005219 | Decal - Fan Housing | 29 | 530069247 | Kit - Fuel line |
| 3 | 530150318 | Handle-Starter | 15 | 530071967 | Kit-EPS ignition (Incl. 18, 19, 23) | 30 | 530014497 | Assy.- Fuel Pickup |
| 4 | 530069232 | Kit-Rope | 16 | 530403257 | Assy-Leadwire | 31 | 530016439 | Screw |
| 5 | 530021179 | Screw-shoulder | 17 | 530015896 | Screw | 32 | 530014381 | Kit-Assy Spike (Incl.#31) (Optional) |
| 6 | 530059677 | Hub | 18 | 503717901 | Switch-Ignition | 33 | 530015940 | Screw |
| 7 | 530021180 | Spring-EPS | 19 | 530059637 | Assy. -Flywheel | 34 | 530029870 | Element - AV Isolator |
| 8 | 530016080 | Screw | 20 | 530015127 | Washer-Flywheel | 35 | 530052446 | Assy. - Tank/Handle |
| 9 | 530042095 | Spring-Starter | 21 | 530016134 | Nut | 36 | 530015843 | Screw |
| 10 | 530059959 | Baffle-Air | 22 | 545121901 | Screw | 37 | 530059961 | Handle-Front |
| 11 | 530059958 | Assy-Fan Hsg. w/eyelet | 23 | 545063901 | Module - Ignition | 38 | 530052439 | Isolator-Front Handle |
| 12 | 530015893 | Screw | 24 | 530029869 | Wire - Throttle | 39 | 530029984 | Isolator |
| | | | 25 | 530029863 | Cap - Wire | 40 | 530026119 | Valve - Check |
| | | | 26 | 530029860 | Pin | 41 | 530038264 | Plug - Vent |
| | | | 27 | 530029861 | Spring | 42 | 530071266 | Kit-Assy. Fuel Cap |

↖ = NEW PART NUMBER FOR THIS IPL ★ = REFER TO THE SERVICE REFERENCE INDICATED FOR MORE INFORMATION. (LOCATED AT END OF IPL)
 ● = THESE PARTS ARE ILLUSTRATED FOR CLARITY. ORDER COMPLETE ASSEMBLY.

Kit - Carburetor Assembly No. 530071987 - Zama W-29



| |
|-----------------------|
| Carb Repair Kit |
| |
| 1 |

| Ref. | Part No. | Description |
|------|-------------------------------|---|
| 1. | --- 530035269 530035260 | Kit-Carburetor Repair (Zama) (Walbro) |

⚠ WARNING

All repairs, adjustments and maintenance not described in the Operator's Manual must be performed by qualified service personnel.