



**BOSCH**

# Angle Grinder

1365 | 3 601 C65 411

---

## Table of Content

Spare parts list.....	2
Illustration - Type.....	5

**Spare parts list**

Item	Part Number	Description	Illustration
1	1 605 108 145	Motor Housing    BLACK	1
2	1 604 220 438	Field    127V	1
3/50	1 606 610 127	Fan	1
4	1 607 200 104	Switch	1
5	1 604 460 133	Power supply cord    USA/CDN 2,15m 2 x 2,08mm SJ 14/2	1
6	1 600 703 023	Grommet    Ø 10,5-Ø11,0x100 MM	1
7	1 601 302 018	Fastening Clamp	1
9	2 610 906 993	Manufacturer's nameplate	1
13	1 600 905 011	groove ball bearing    8x22x7	1
14	1 600 905 023	groove ball bearing    10x35x11	1
16	1 604 336 021	Brush Holder	1
23	1 605 500 165	Sealing cap    BLUE	1
24	1 605 132 121	Handle    BLACK	1
25	1 603 523 106	Grinding Spindle    5/8", SW17	1
28	1 600 210 033	O-Ring    79,0x1,78 MM	1
30	1 600 591 010	Air-Deflector Ring	1
31	1 600 591 011	Air-Deflector Ring	1
32	1 600 290 019	Retaining snap ring	1
33	1 600 290 013	Rotary shaft lip seal    18,7 MM    RED	1
34	1 600 190 020	Shim    0,15 MM    THICK	1
34	1 600 190 021	Shim    0,3 MM    THICK	1
34	1 600 190 022	Shim    0,1 MM    THICK	1
34	1 600 190 037	Shim    0,2 MM    THICK	1
35	1 600 205 034	Felt Washer	1
36	1 604 652 015	Spiral Spring	1
37	1 600 290 020	Seal Ring	1
38	1 600 206 020	Rubber Ring    7 MM    WIDE	1
39	1 600 206 030	Rubber Ring	1
44	1 601 334 008	Holding Bracket	1
45	1 603 300 019	Hex Nut    M10, SW14	1
48	1 600 119 010	Spring retaining ring	1
50	3 600 905 134	groove ball bearing	1
51	1 600 200 031	Plain bearing    Ø14 MM	1
52	1 602 388 027	Cable routing	1

Spare parts list

Item	Part Number	Description	Illustration
53	1 605 190 038	Socket Housing	1
55	1 602 388 029	Storage Ledge BLACK	1
59	1 600 101 655	Plain Washer 1,8 MM THICK	1
60	1 603 435 076	Thread-forming tap. Screw	1
61	2 912 401 038	Tapping Screw DIN 7981-4,8x38-C-Z-ST	1
62	1 603 435 024	Tapping Screw C4,8x63 MM	1
63	1 603 410 014	Pan head screw M4x10 MM	1
64	2 914 201 503	Oval-Head Screw A 4x12-10,9-D	1
65	2 912 401 020	Tapping Screw DIN 7981-3,9x19-C-Z-ST	1
66	2 910 211 019	Tapping Screw DIN 7971-ST3,9x16-F	1
67	1 603 435 019	Tapping Screw BZ 4,8x78 MM	1
70	2 610 906 872	Manufacturer's nameplate	1
72	1 601 110 449	Nameplate CAUTION	1
810	1 607 014 194	Carbon-Brush Set	1
821	1 605 805 592	Gear Housing	1
822	1 607 000 951	Parts Set	1
826	1 600 A00 3DA	Bevel Gear Set	1
830	1 604 010 B3G	Armature 115V	1
840	1 607 000 206	Push-Button BLACK	1
846	1 607 000 342	Retaining Washer	1
851	2 600 910 001	Needle-Roller Bearing Ø14 MM	1
888	1 601 11A 3H3	Nameplate	1
651	1 605 510 214	Protective Cover Ø350 MM (14")	2
661	1 608 190 014	Guide Block Ø300 MM	2
661/03	2 910 281 246	Round-Head Bolt M 8x30 DIN 603	2
661/04	2 915 191 007	Wing Nut DIN 315-M8-GT-C	2
661/05	2 600 100 041	Plain Washer DIN 315-M8-GT-C	2
661/06	1 604 643 003	Compression Spring	2
662/2	1 907 950 007	Offset Screwdriver DIN 911;SW6	2
662/3	1 605 703 143	Clamping-Flange	2
662/5	3 607 950 013	Offset Screwdriver 3/8", SW9	2
662/7	1 605 703 144	Conical Spring Washer	2
662/8	1 600 A00 0NX	Round Nut	2
662/8/2	1 610 210 234	O-Ring 23,52x1,78 MM	2
663	2 603 450 007	Hex Screw M14x16x1,5 MM	2

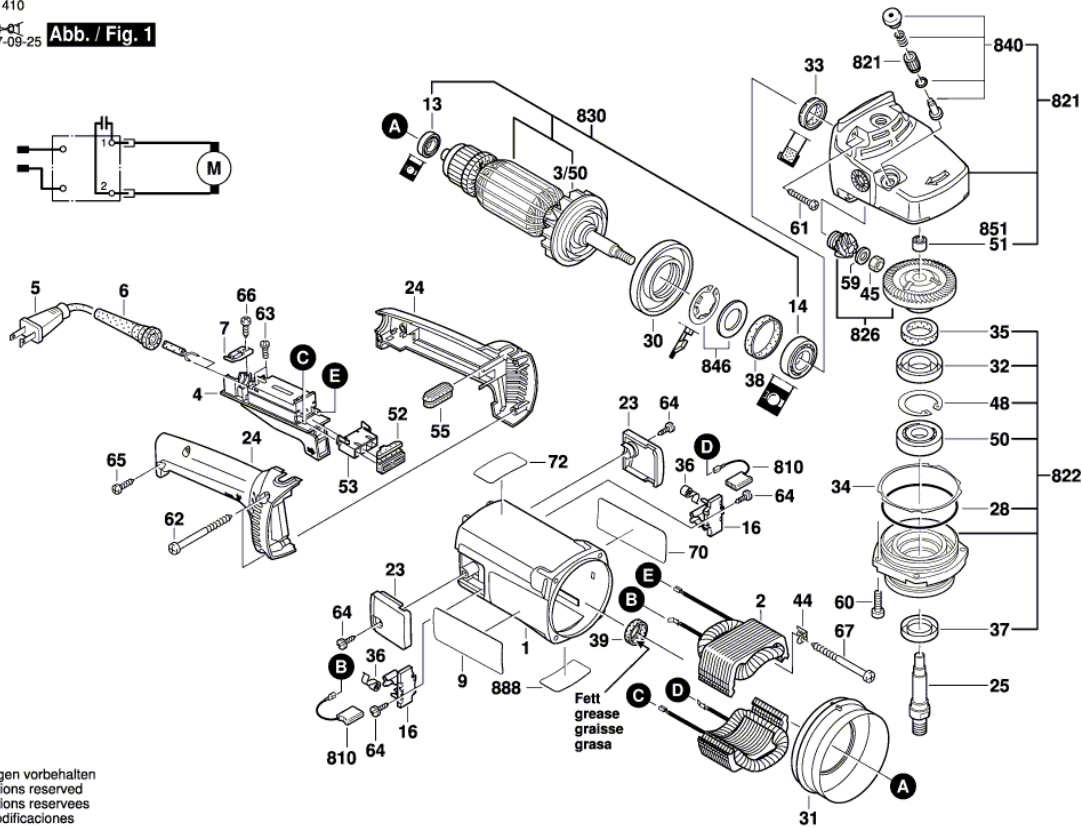
**Spare parts list**

Item	Part Number	Description	Illustration
750	1 607 000 247	Strap-Shaped Handle	2

Illustration - Type - E

3 601 C65 410

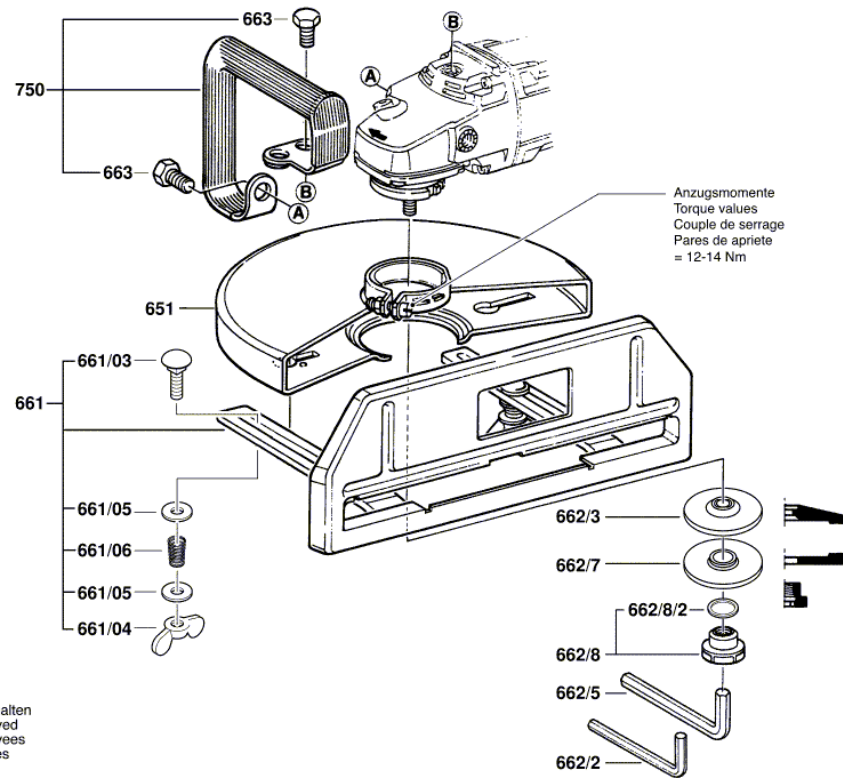
Stand | 17-09-25  
Issue | 17-09-25 **Abb. / Fig. 1**



Änderungen vorbehalten  
Modifications reserved  
Modificaciones reserves  
Salvo modificaciones

Illustration - Type - E

3 601 C65 410  
 Stand | 11-04-24  
 Issue | 11-03-21 **Abb. / Fig. 2**



Änderungen vorbehalten  
 Modifications reserved  
 Modificaciones reservées  
 Salvo modificaciones