

Angle Grinder - 0 601 356 060 - 1 356 G

www.powertools-aftersaleservice.com



BOSCH

| Item | Part Number | Description | Illustration | Price | Quantity | Price Group |
|------|-----------------|--|--------------|-------|----------|-------------|
| | 1 1 605 108 144 | Motor Housing BLUE | 1 | -,- | 1 | 29 |
| | 2 1 604 220 385 | Field 100-120V | 1 | -,- | 1 | 38 |
| 3/50 | 1 606 610 127 | Fan | 1 | -,- | 1 | 14 |
| | 5 1 604 460 133 | Power supply cord USA/CDN 2,15m 2 x 2,08mm SJ 14/2 | 1 | -,- | 1 | 27 |
| | 6 1 600 703 023 | Grommet Ø10,5-Ø11,0x100 MM | 1 | -,- | 1 | 13 |
| | 7 1 601 302 018 | Fastening Clamp | 1 | -,- | 1 | 11 |
| | 9 1 601 110 757 | Manufacturer's nameplate | 1 | -,- | 1 | 16 |
| 13 | 1 600 905 011 | Deep-Groove Ball Bearing 8x22x7 | 1 | -,- | 1 | 18 |
| 14 | 1 600 905 025 | Deep-Groove Ball Bearing 10x35x11 | 1 | -,- | 1 | 24 |
| 16 | 1 604 336 021 | Brush Holder | 1 | -,- | 2 | 14 |
| 23 | 1 605 500 165 | Sealing cap BLUE | 1 | -,- | 2 | 15 |
| 24 | 1 605 132 117 | Handle BLUE | 1 | -,- | 1 | 23 |
| 25 | 1 603 523 109 | Grinding Spindle 5/8", SW17 | 1 | -,- | 1 | 34 |
| 27 | 1 606 333 246 | Bevel Gear Z=16 | 1 | -,- | 1 | 34 |
| 28 | 1 600 210 033 | O-Ring 79,0x1,78 MM | 1 | -,- | 1 | 11 |
| 30 | 1 600 591 010 | Air-Deflector Ring | 1 | -,- | 1 | 12 |
| 31 | 1 600 591 011 | Air-Deflector Ring | 1 | -,- | 1 | 11 |
| 32 | 1 600 290 019 | Retaining snap ring | 1 | -,- | 1 | 11 |
| 33 | 1 600 290 013 | Rotary shaft lip seal 18.7mm RED | 1 | -,- | 1 | 13 |
| 34 | 1 600 190 020 | Shim 0,15 MM THICK | 1 | -,- | 1 | 11 |
| 34 | 1 600 190 021 | Shim 0,3 MM THICK | 1 | -,- | 1 | 11 |
| 34 | 1 600 190 022 | Shim 0,1 MM THICK | 1 | -,- | 1 | 11 |
| 35 | 1 600 205 034 | Felt Washer | 1 | -,- | 1 | 11 |
| 36 | 1 604 652 015 | Spiral Spring | 1 | -,- | 2 | 11 |
| 37 | 1 600 290 036 | Seal ring BLACK | 1 | -,- | 1 | 12 |
| 38 | 1 600 206 020 | Rubber Ring 7 MM WIDE | 1 | -,- | 1 | 11 |
| 39 | 1 600 206 030 | Rubber Ring | 1 | -,- | 1 | 11 |
| 44 | 1 601 334 008 | Holding Bracket | 1 | -,- | 2 | 11 |
| 45 | 1 603 300 019 | Hex Nut M10, SW14 | 1 | -,- | 1 | 11 |
| 48 | 1 600 119 010 | Spring retaining ring | 1 | -,- | 1 | 11 |
| 50 | 3 600 905 134 | Deep-Groove Ball Bearing | 1 | -,- | 1 | 23 |
| 51 | 1 600 200 031 | Plain bearing Ø14 MM | 1 | -,- | 1 | 12 |
| 52 | 1 602 388 027 | Cable routing | 1 | -,- | 1 | 11 |

| Item | Part Number | Description | Illustration | Price | Quantity | Price Group |
|--------|---------------|--|--------------|-------|----------|-------------|
| 53 | 1 605 190 038 | Socket Housing | 1 | -,- | 1 | 11 |
| 55 | 1 602 388 029 | Storage Ledge BLACK | 1 | -,- | 1 | 11 |
| 60 | 1 603 435 023 | Thread-forming tap. Screw TT M5x18 MM | 1 | -,- | 4 | 11 |
| 61 | 2 912 401 038 | Tapping Screw DIN 7981-4,8x38-C-Z-ST | 1 | -,- | 4 | 10 |
| 62 | 1 603 435 024 | Tapping Screw C4,8x63 MM | 1 | -,- | 4 | 11 |
| 63 | 1 603 410 014 | Pan head screw M4x10 MM | 1 | -,- | 2 | 11 |
| 64 | 1 603 435 042 | Self-Cutting Screw St3,9x12 | 1 | -,- | 4 | 11 |
| 65 | 2 912 401 020 | Tapping Screw DIN 7981-3,9x19-C-Z-ST | 1 | -,- | 2 | 10 |
| 66 | 2 910 211 019 | Tapping Screw DIN 7971-ST3,9x16-F | 1 | -,- | 1 | 10 |
| 70 | 1 601 110 754 | Manufacturer's nameplate | 1 | -,- | 1 | 16 |
| 72 | 1 601 110 449 | Nameplate CAUTION | 1 | -,- | 1 | 11 |
| 79 | 1 900 210 111 | O-Ring 12x3 MM | 1 | -,- | 1 | 13 |
| 80 | 1 600 171 001 | Locking Washer | 1 | -,- | 1 | 11 |
| 651 | 1 605 510 342 | Protective Cover Ø 230 MM | 2 | -,- | 1 | 35 |
| 750 | 1 602 025 022 | Auxiliary Handle M14 BLACK | 2 | -,- | 1 | 26 |
| 750 | 1 602 025 030 | Auxiliary Handle M14, Ø37x115 MM BLACK | 2 | -,- | 1 | 28 |
| 804 | 1 607 200 103 | Switch | 1 | -,- | 1 | 32 |
| 810 | 1 607 014 171 | Carbon-Brush Set | 1 | -,- | 1 | 26 |
| 821 | 1 607 000 920 | Gear Housing | 1 | -,- | 1 | 38 |
| 822 | 1 607 000 986 | Bearing Flange Ø180 MM | 1 | -,- | 1 | 32 |
| 822/01 | 1 607 000 931 | Bearing Flange Ø180 MM BLACK | 1 | -,- | 1 | 32 |
| 822/02 | 1 607 000 921 | Bearing Flange Ø180 MM SILVER | 1 | -,- | 1 | 36 |
| 826 | 1 606 333 248 | Crown Gear Z=55 | 1 | -,- | 1 | 44 |
| 830 | 1 604 011 147 | Armature 100-120V | 1 | -,- | 1 | 47 |
| 837 | 1 600 290 020 | Seal ring | 1 | -,- | 1 | 11 |
| 840 | 1 607 000 206 | Push-Button BLACK | 1 | -,- | 1 | 14 |
| 846 | 1 607 000 342 | Retaining Washer | 1 | -,- | 1 | 13 |
| 851 | 2 600 910 001 | Needle bearing Ø14 MM | 1 | -,- | 1 | 16 |
| 888 | 1 601 106 032 | Nameplate 26x52 MM | 1 | -,- | 1 | 13 |

Illustration - Type E

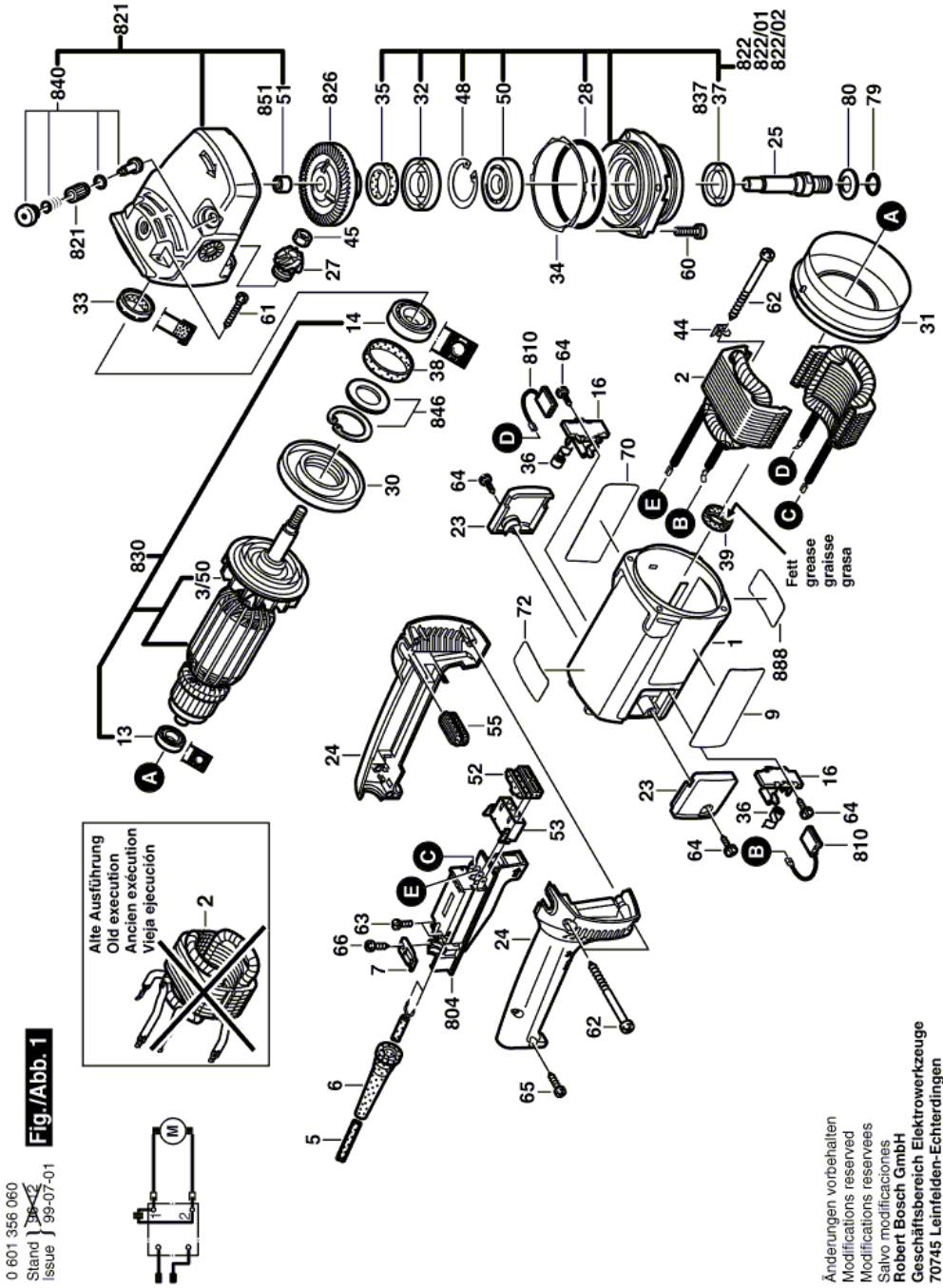
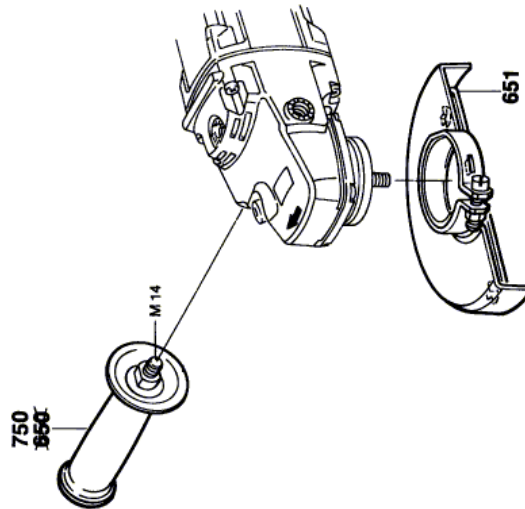


Illustration - Type E

Typ 0 601 356 060 = 1356 G

Stand ~~90-09~~
Issue 94-10



Anderungen vorbehalten
Modifications reserved
Modificaciones reservadas
Salvo modificaciones
Robert Bosch GmbH
Geschäftsbereich Elektrowerkzeuge
70745 Leinfelden-Echterdingen

Information subject to change without further notice.