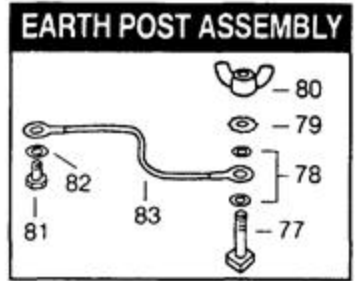
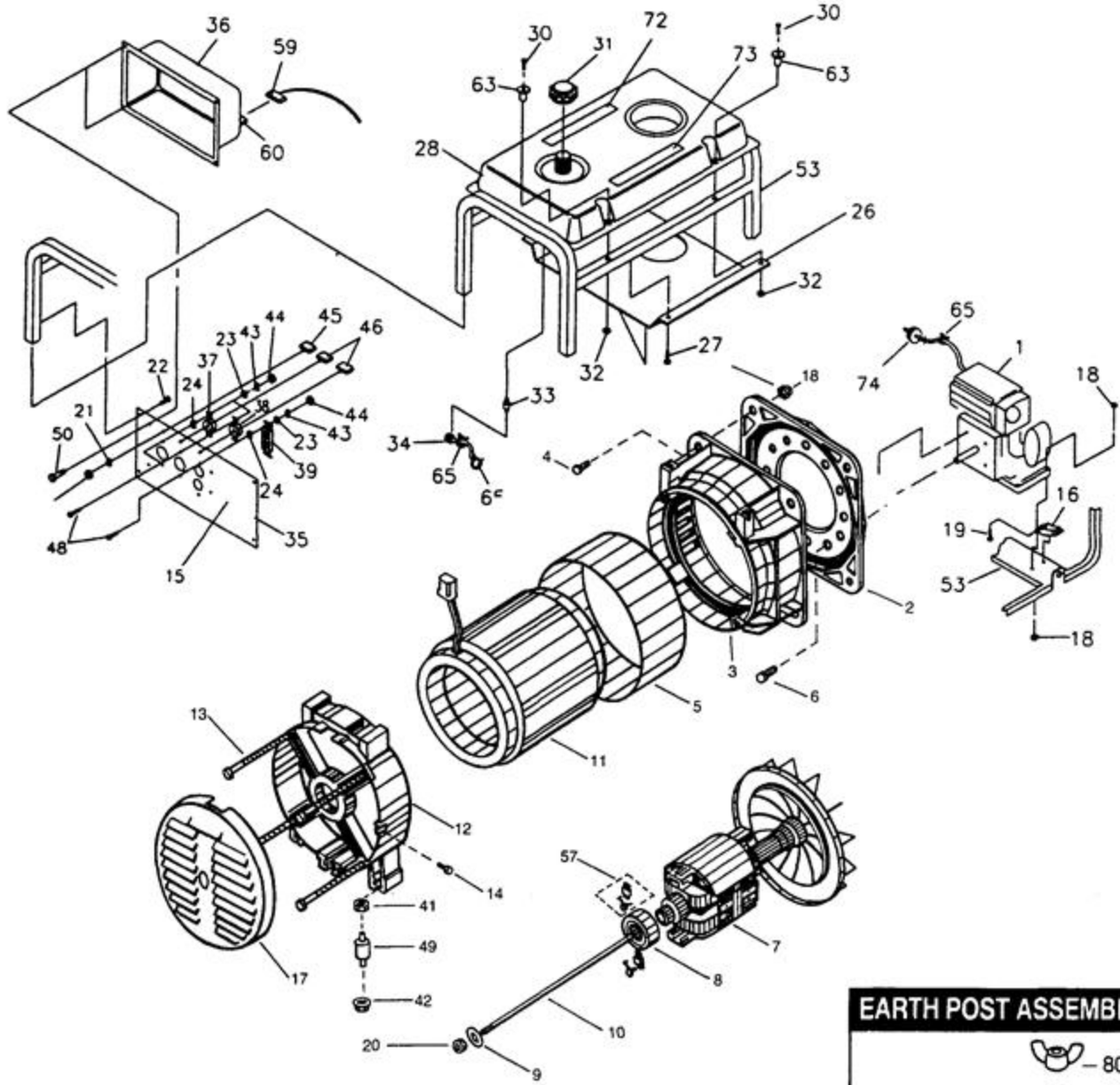


Ref # Part # Description Context Note Foot Note

# EXPLODED VIEW-GENERATOR



Ref #	Part #	Description	Context Note	Foot Note
1	~NSP	ENGINE, TECUMSEH 10HP		
2	B4065A	FLANGE		
3	B4066	ADAPTOR, HOUSING		
4	43107	SCREW, M8 - 1.25 X 25		
5	B4068	RING		
6	86307	SCREW, HEX HD 5/16-24 X 3/4		
7	B4067A	ROTOR ASSEMBLY		
8	B4072	BEARING		
9	67451	SPECIAL WASHER		
10	B2933	ROTOR BOLT		
11	B4070A	STATOR ASSEMBLY		
12	B4069	CASTING, BEARING CARRIER		
13	B4073A	STATOR BOLT		
14	B4920	SCREW, M5 - 0.8 X 10		
15	B4349	DECAL, CONTROL PANEL		
16	70642	VIB MOUNT		
17	B4071	BEARING CARRIER COVER		
18	52858	LOCK NUT		
19	76222	PPHMS, M8-1.25 X 40MM		
20	20316	NYLOCK NUT		
21	82881	INTERNAL LOCK WASHER		
22	86292	SCREW, #10 SELF DRILLING		
23	38150	WASHER, #8 FLAT		
24	23365	WASHER, LOCK SERRATED #8		
26	B78951B	HEAT SHIELD		
27	56892	10-24 X 3/8 LG. CRIMPTITE		
28	77374	USE 91252 FUEL TANK ASSEMBLY		
29	22145	FLAT WASHER, 5/16 - M8		
30	78831B	CAPSCREW, HH M6-60MM		
31	90878	CAP, FUEL TANK		
32	77395	NUT, HEX LOCK - M6		
33	78299	BUSHING, PLASTIC TANK		
34	80270	VALVE, PLASTIC TANK		
35	81897X	PANEL, CONTROL		
36	81919	PANEL, CONTROL BACK PLASTIC		
37	68868	OUTLET 120V 30 AMP		
38	68867	OUTLET 120/240 LOCKING		
39	68759	OUTLET, 120V 20AMP		
40	84242	GROMMET, RUBBER		
41	45771	NUT, FULL MB - 1.25		
42	52858	LOCKNUT M8 - 1.25		

Ref #	Part #	Description	Context Note	Foot Note
43	22264	WASHER, #8 LOCK		
44	51715	NUT, HEX M4 - 0.7		
45	75207A	CIRCUIT BREAKER 30 AMP		
46	75207	CIRCUIT BREAKER 20 AMP		
48	75475	SCREW, M4 - .7 X 10 PAN		
49	85652	MOUNT, RUBBER		
50	82308	SCREW, SELF TAPPING		
51	86494	SCREW, M6 X 16 LG WING		
53	BB1635	CRADLE		
57	B4074	DIODE/VARISTOR, ASSEMBLY		
59	22695	6-PIN CONNECTOR, MALE		
60	22694	6-PIN CONNECTOR		
63	83465	GROMMET, MOUNTING TANK		
65	48031C	CLAMP, HOSE 1/4		
72	92982	DECAL, DANGER		
73	93826	DECAL, OPERATING INSTRUCTIONS		
74	68740	FUEL FILTER		
77	94874	M6-1.0 X 25MM CAPSCREW		
78	22447	M6 SHAKEPROOF WASHER		
79	49813	M6 - 1.0 NUT		
80	87680	M6 WINGNUT		
81	95685	M6-1.0X12MM CAPSCREW		
82	22447	M6 SHAKEPROOF WASHER		
83	94876E	EARTH LEAD (145MM)		
	A1952A	CAPACITOR 46uF	(Not Illustrated)	