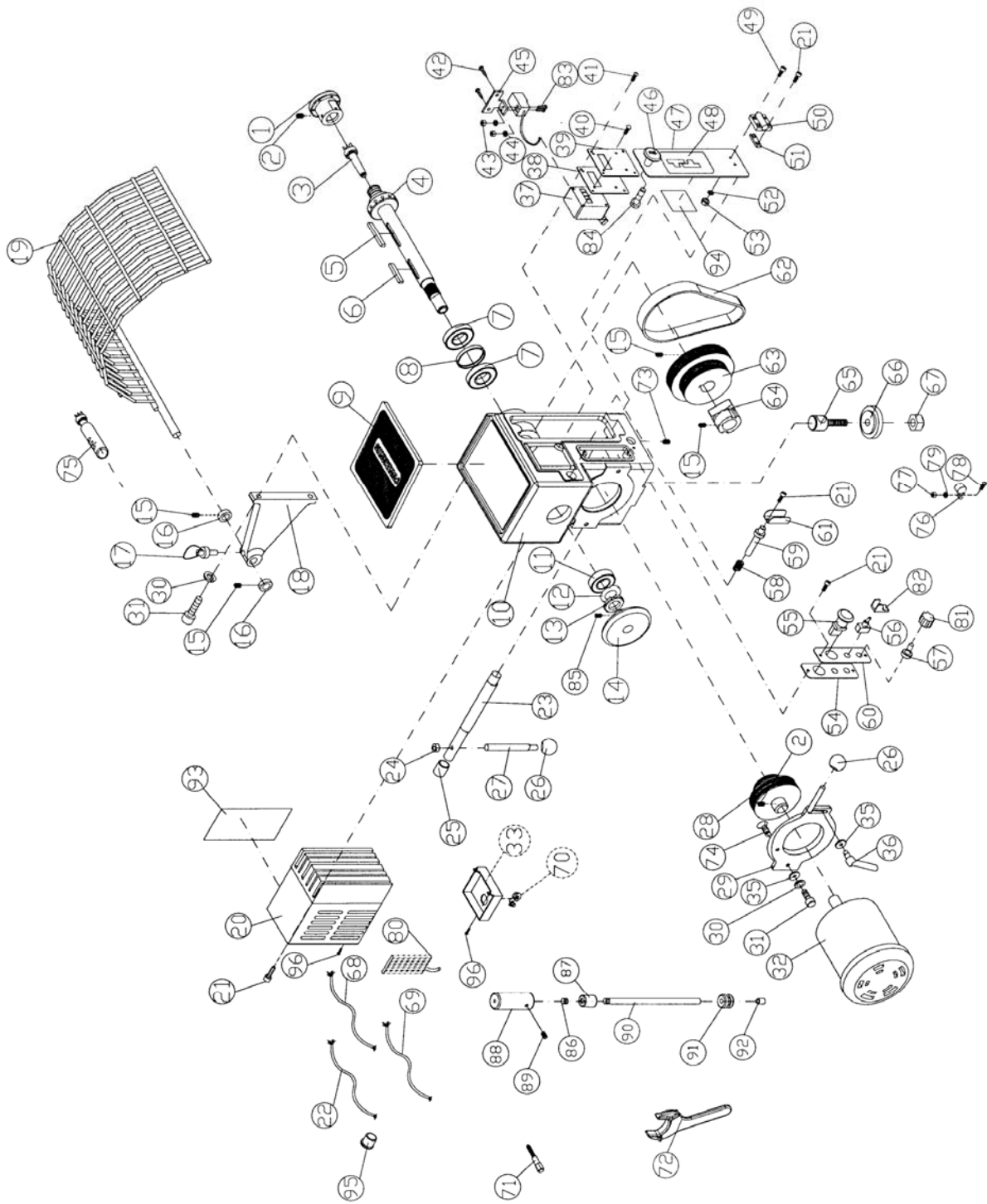


Headstock Assembly

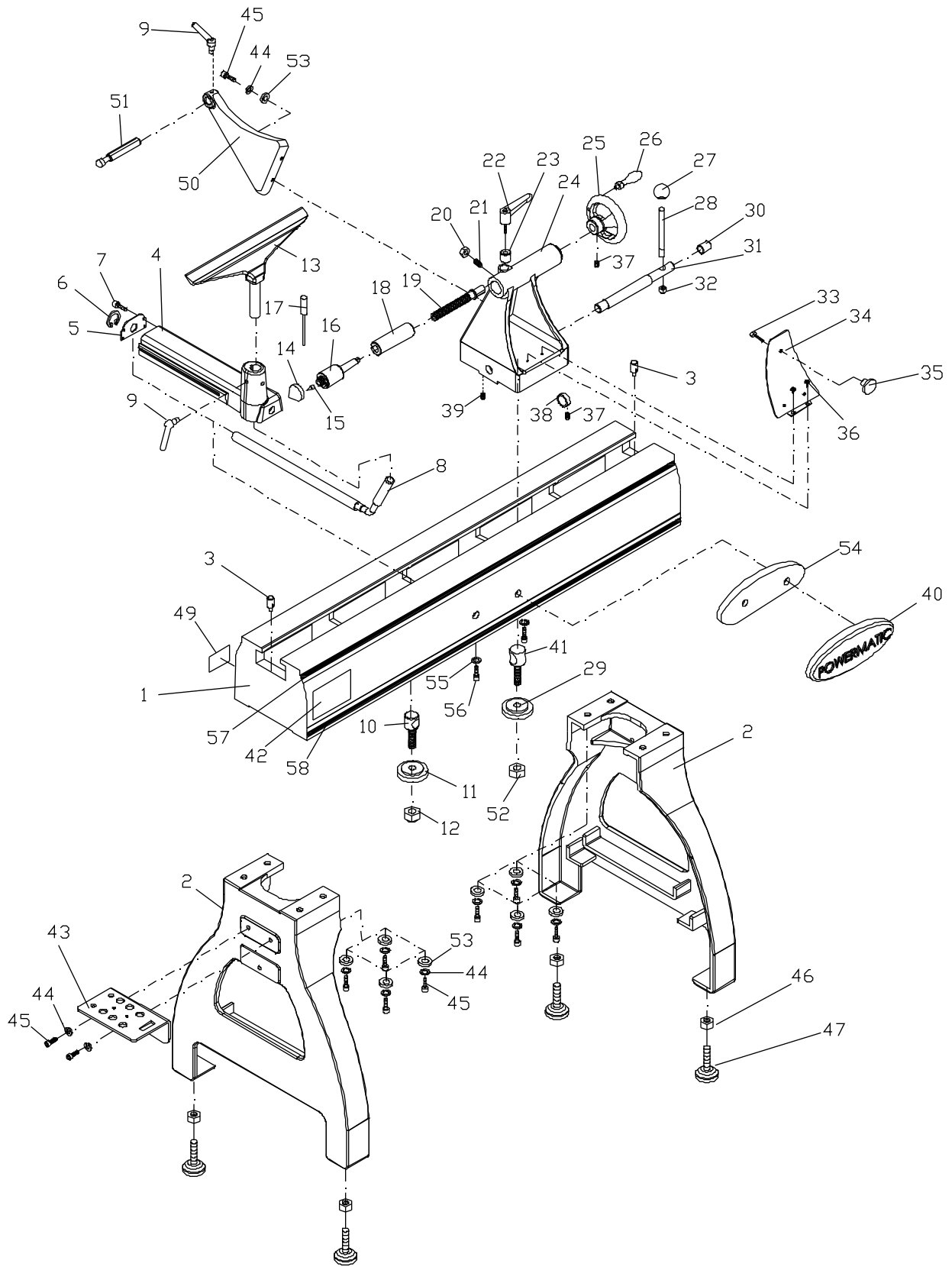


Parts List: Headstock Assembly

Index No.	Part No.	Description	Size	Qty
1	6294736	Faceplate	3"	1
2	6295796	Nyloc Insert Socket Set Screw	1/4-20x3/8"	4
3	6294725	Spur Center	MT2	1
4	3520B-204	Spindle		1
5	3520B-205	Key	8x8x75	1
6	3520B-206	Key	8x8x45	1
7	BB-6207ZZ	Bearing	6207ZZ	2
8	3520B-208	Bushing		1
9	3520B-209	Cushion		1
10	3520B-210	Headstock		1
11	BB-6206VV	Bearing	6206VV	1
12	6864006	Bearing Lock Washer		1
13	6549006	Bearing Nut		1
14	3271081	Handwheel		1
15	TS-0270011	Socket Set Screw	5/16-18x1/4"	6
16	6143004	Collar Retaining		2
17	6644005	Plunger		1
18	3064711	Lathe Guard Bracket		1
19	6294728	Safety Guard		1
20	JWL1642-164A	Inverter, VFD015S21A	2HP, 220V	1
21	6710015	Socket Head Cap Screw	#10-24x1/2"	10
22	JWL1642-170	Signal Cord		1
23	3520B-223	Headstock Clamping Shaft		1
24	TS-0640091	Nylon Lock Hex Nut	3/8"-16	1
25	6095038	Bushing		1
26	6430045	Knob		2
27	3268219	Handle, Headstock		1
28	3719189	Motor Sheave		1
29	2595036	Motor Assembly Plate		1
30	TS-0720091	Lock Washer	3/8	3
31	TS-0209061	Socket Head Cap Screw	3/8-16x1-1/4"	3
32	3520B-232	Motor	2HP, 220V, 60Hz	1
	PM2000-MF	Motor Fan		1
	70-4101-2	Motor Fan Cover		1
33	JWL1642-166	Bracket		1
35	TS-0680042	Flat Washer	3/8	2
36	6350031	Motor Plate Locking Handle		1
37	JWL1642-130A	Digital Readout		1
38	3520B-238	Plate		1
39	3520B-239	DRO Cover		1
40	JWL1642-127	Tap Screw	M3x10	4
41	TS-0253031	Socket Head Button Screw	#10-24x1/2"	4
42	JWL1642-134	Tap Screw	1/4"x1/2"	2
43	TS-1540011	Nut	M3	2
44	TS-2361031	Lock Washer	M3	2
45	JWL1642-135	Bracket		1
46	6295717	Knob		1
47	3520B-247	Door Panel		1
48	3520B-248	Speed Label		1
49	6708019	Socket Head Cap Screw	#8-32x5/8"	2
50	6365012	Door Hinge		1
51	6295911	Pad		1
52	6860704	Flat Washer	#8	2
53	6508007	Nut	#8-32	2
54	3520B-254	Control Panel		1
55	6295839	Push/Pull Switch		1
56	6821492	Switch Fwd/Rev		1

57	6295915	Control Pot Assembly	1
58	6813062	Spring	1
59	3601006	Spindle Lock Plunger	1
60	3520B-260	Control Label	1
61	6294786	Spindle Lock Bracket	1
62	6077228	Micro V-Belt	260J 1
63	3719188	Spindle Sheave	1
64	3520B-264	Locking Collar	1
65	3058001	Clamp Bolt	1
66	3092095	Clamp	1
67	6520009	Nylon Lock Hex Nut	5/8"-11 1
68	6294787	Power Cord	1
69	6294790	Motor Cord	1
70	JWL1642-165	Strain Relief	3
71	3520B-271	Index Pin	1
72	6294744	Face Plate Wrench	1
73	3520B-273	Set Screw	#10-24x1" 1
74	6716139	Flat Head Socket Screw	3/8-16x1" 4
75	3520B-275	Spindle Comparator Spur Center	1
76	JWL1642-183	Cable Clamp	2
77	TS-0560071	Hex Nut	#10-24 2
78	TS-081C082	Phillips Pan Head Machine Screw	#10-24x1-1/2" 2
79	TS-069204	Washer	#10 2
80	JWL1642-169	Braking Resistor	1
81	6430047	Knob	1
82	3520B-282	Bracket	1
83	6295838	Phillips Round Head Machine Screw	M3x20 2
84	TS-1490021	Hex Cap Screw	M8x16 1
85	TS-0267021	Socket Set Screw	1/4-20x1/4" 2
	6294754	Knockout Rod Assembly (includes index # 86 thru 92)	1
86	TS-0270031	Socket Set Screw	5/16-18x3/8" 1
87	3520B-287	Slide Hammer	1
88	3520B-288	Slide Handle	1
89	6295796	Nyloc Insert Socket Set Screw	1/4-20x3/8 2
90	3520B-290	Rod	1
91	3520B-291	Retaining Collar	1
92	3520B-292	Brass Tip	1
93	3520B-293	Inverter Label	2
94	3520B-294	Warning Label	1
95	3520B-295	Cord Snap Ring	1
96	3520B-296	Phillips Pan Head Machine Screw	M3-0.5Px10 3

Stand and Bed Assembly

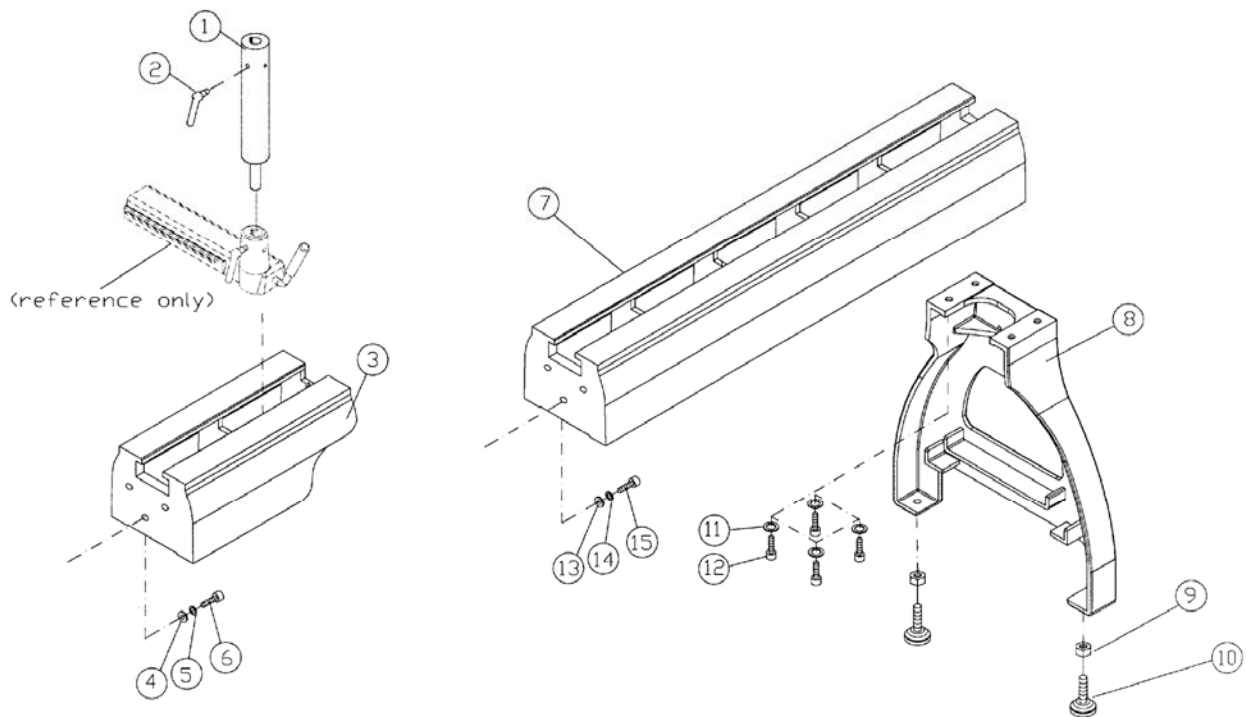


Parts List: Stand and Bed Assembly

Index No.	Part No.	Description	Size	Qty
1	3520B-101	Bed		1
2	3520B-102	Leg		2
3	6295754	Stop Bolt		2
	6294797	Tool Rest Support Assembly (includes index #4 thru #12)		1
4	3520B-104	Tool Rest Support Base		1
5	3520B-105	End Cover		1
6	3520B-106	C-Ring	S-22	1
7	6710015	Socket Head Cap Screw	#10-24x1/2"	4
8	3520B-108	Tool Support Rod		1
9	6294763	Locking Handle		2
10	3520B-110	Bolt		1
11	6294770	Clamp		1
12	TS-0650081	Nylon Lock Hex Nut	3/4"-10	1
13	6294742	Tool Support	14"	1
	6295902	Live Center Assembly (includes index #14 thru #17)		1
14	6295905	Live Center Cone		1
15	6295904	Live Center Tip		1
16	6295903	Live Center Body		1
17	6295906	Live Center Rod		1
18	3520B-118	Quill		1
19	6295909	Lead Screw		1
20	TS-0560071	Hex Nut	#10-24	1
21	3520B-121	Set Screw	#10-24x3/4"	1
22	6295910	Lock Handle		1
23	3728005	Quill Lock Sleeve		1
24	3520B-124	Tailstock		1
25	3520B-125	Tailstock Handwheel		1
26	3520B-126	Tailstock Handle		1
27	6430045	Knob		1
28	3268217	Handle		1
29	3092095	Clamp		1
30	6095038	Bushing		1
31	3708012	Tailstock Clamping Shaft		1
32	TS-0640091	Nylon Lock Hex Nut	3/8"-16	1
33	TS-1490021	Hex Cap Screw	M8x16	1
34	3520B-134	Cover Plate		1
35	6295717	Lock Knob		1
36	TS-081C022	Phillips Pan Head Machine Screw	#10-24x3/8"	2
37	TS-0270011	Socket Set Screw	5/16x1/4"	2
38	3096003	Collar		1
39	6760102	Set Screw	#10-32x1"	1
40	3520B-140	Powermatic Nameplate		1
41	3058001	Bolt		1
42	6294773	Warning Label		1
43	3520B-143	Shelf		1
44	TS-0720091	Lock Washer	3/8"	12
45	TS-0209061	Socket Head Cap Screw	3/8x1-1/4"	12
46	TS-0570031	Hex Nut	3/8"-16	4
47	6442000	Adjustable Leveler		4
49	3520B-149	I.D Label		1
50	3520B-150	Comparator Rear Bracket		1
51	3520B-151	Comparator Rear Center		1
52	6520009	Nylon Lock Hex Nut	5/8"-11	1
53	TS-0680042	Flat Washer	3/8"	10
54	3520B-154	Backer Plate		1
55	TS-0680021	Flat Washer	1/4"	2
56	TS-0207061	Socket Head Cap Screw	1/4"-20x1"	2
57	3520B-157	Stripe		1
58	3520B-158	Stripe		1

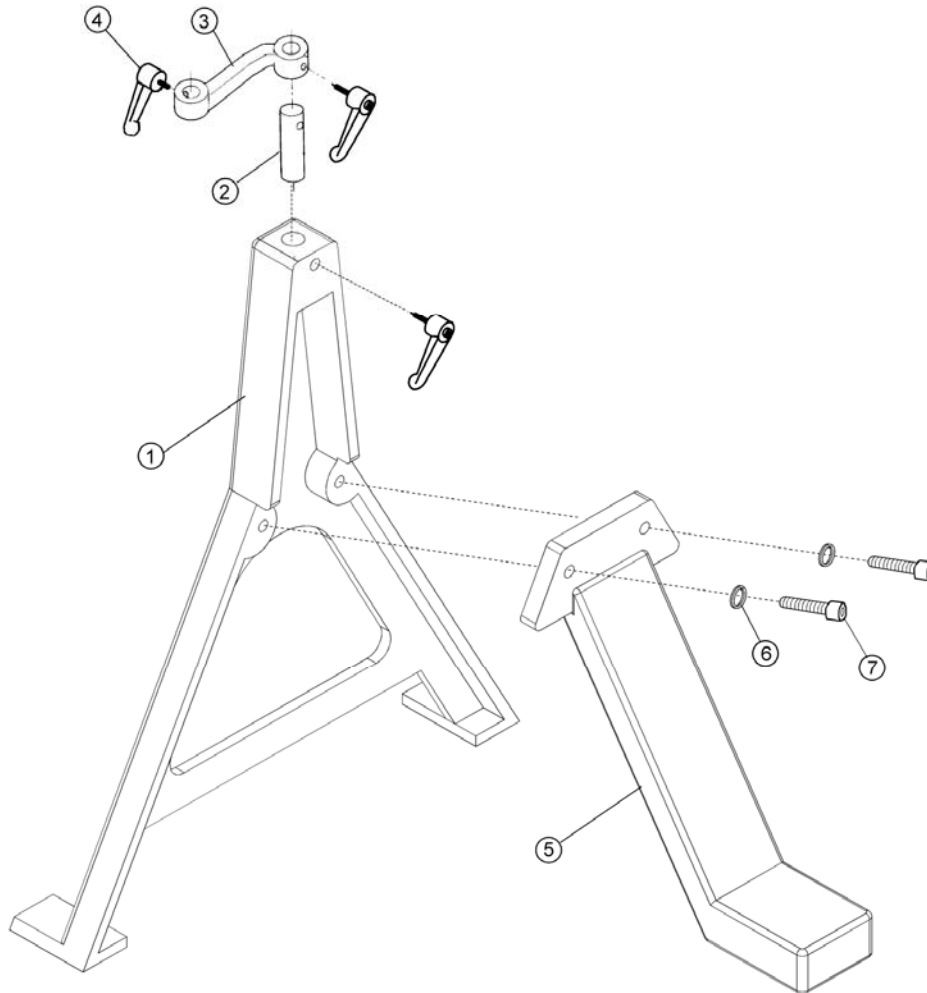
Optional Accessories: Bed Extensions

Index No.	Part No.	Description	Size	Qty
.....	6294727B.....	18" Bed Extension Assembly (includes items 1 thru 6)		
1.....	3520B-310	Extension Post		1
2.....	6294763	Locking Handle.....		1
3.....	3520B-311	18" Bed Extension		1
4.....	TS-0680042	Flat Washer.....	3/8"	3
5.....	TS-0720091	Lock Washer	3/8"	3
6.....	TS-0209081	Socket Head Cap Screw	3/8-16x1-3/4"	3
.....	6294726B.....	50" Bed Extension Assembly (includes items 7 thru 15)		
7.....	3520B-101	50" Bed.....		1
8.....	3520B-102	Leg		1
9.....	TS-0570031	Hex Nut.....	3/8-16x1"	2
10.....	6442000.....	Leveler.....		2
11.....	TS-0720091	Lock Washer	3/8"	4
12.....	TS-0209061	Socket Head Cap Screw	3/8"x1-1/4"	4
13.....	TS-0680042	Flat Washer.....	3/8"	3
14.....	TS-0720091	Lock Washer	3/8"	3
15.....	TS-0209081	Socket Head Cap Screw	3/8-16x1-3/4"	3



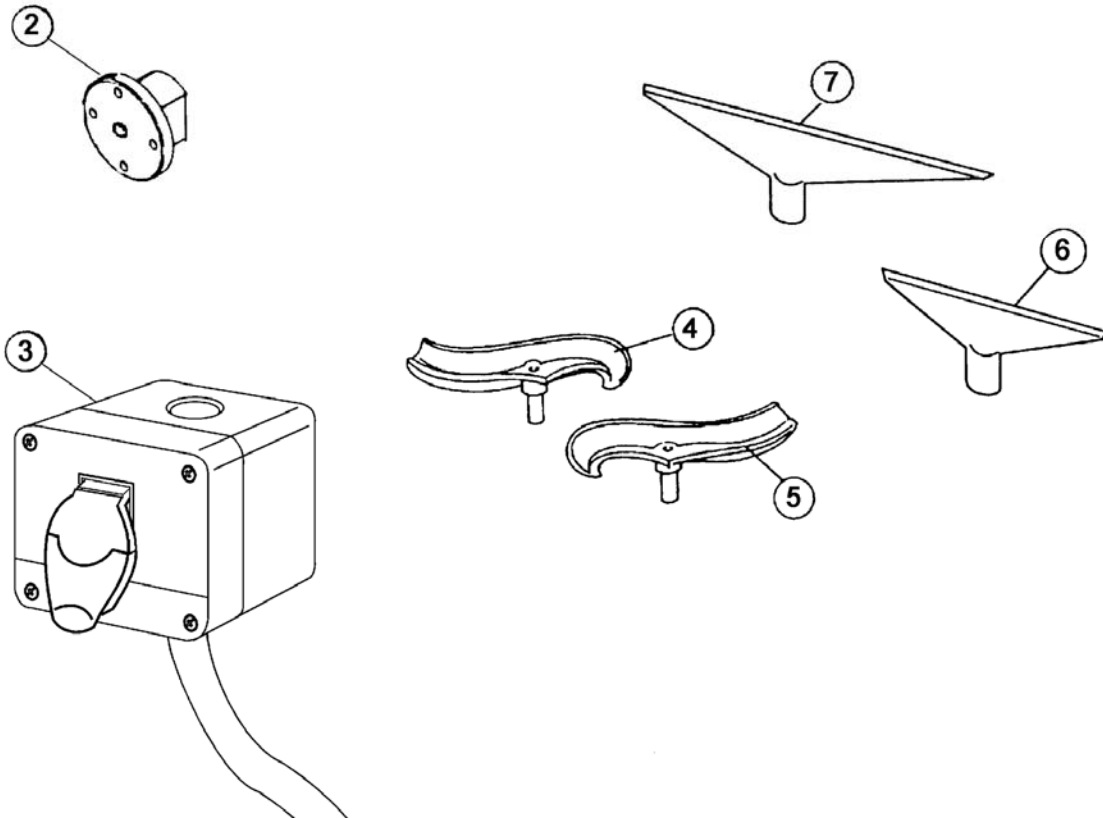
Optional Accessories: Outboard Turning Stand

Index No.	Part No.	Description	Size	Qty.
.....	6294732	Heavy Duty Outboard Turning Stand Assembly (items 1 thru 7)	
1.....	3042503	Turning Stand Base		1
2.....	6295897	Offset Tool Support Pin	1.00" diameter	1
3.....	6295898	Offset Tool Support Casting	1.00" hole	1
4.....	2695026	Screw Lock Assembly		3
5.....	3423055	Turning Stand Leg		1
6.....	6861700	Lock Washer	5/8"	2
7.....	6769002	Socket Head Cap Screw	5/8"-18 x 2"	2



Optional Accessories: Face Plates, Tool Supports and Misc.

Index No.	Part No.	Description	Size	Qty.
1.....	6295902.....	Ball Bearing Tailstock Center (not shown).....		
2.....	6294736.....	3" Face Plate.....	1-1/4-8.....	
3.....	6294733.....	Remote ON/OFF Switch.....		
4.....	6294740.....	Bowl Turning Tool Support (R.H.).....		
5.....	6294751.....	Bowl Turning Tool Support (L.H.).....		
6.....	6294739.....	6" Tool Support.....		
7.....	6294742.....	14" Tool Support.....		



Electrical Connections

3520B Lathe Electrical Connections

